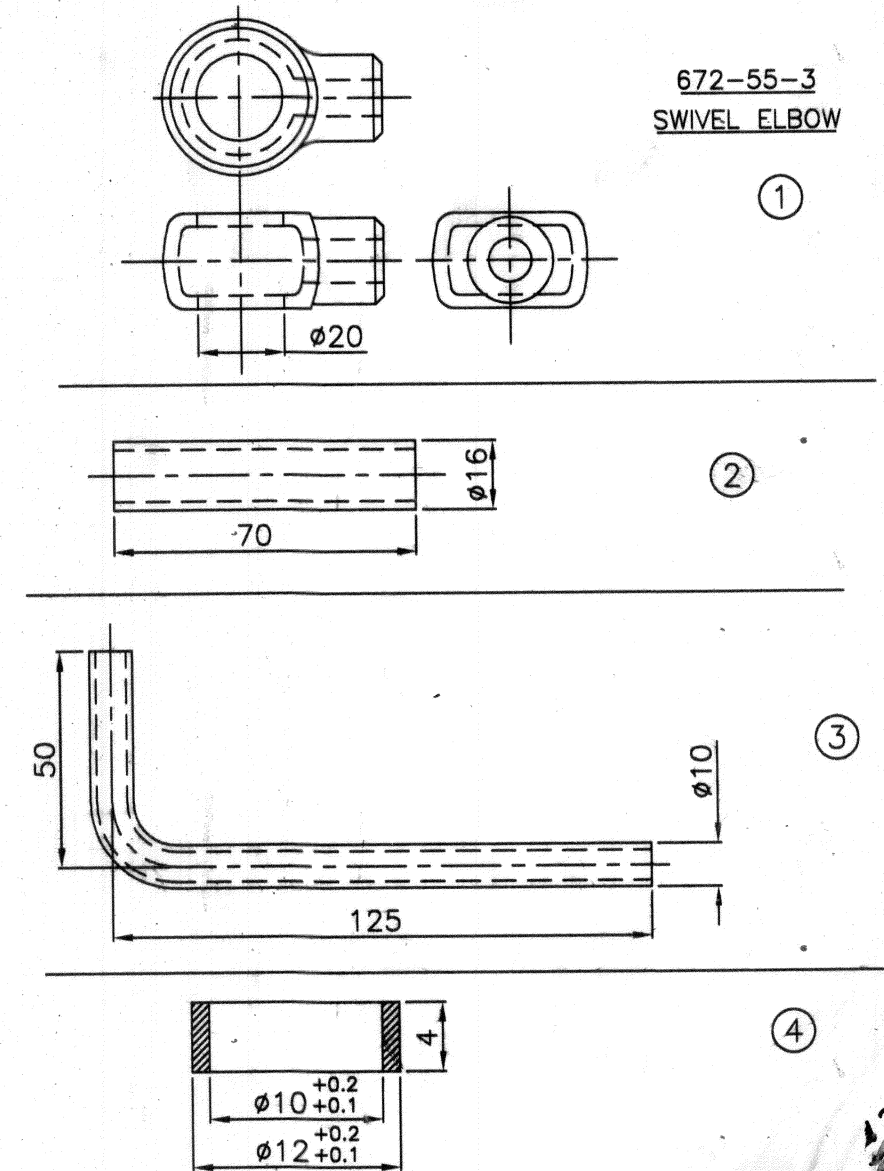
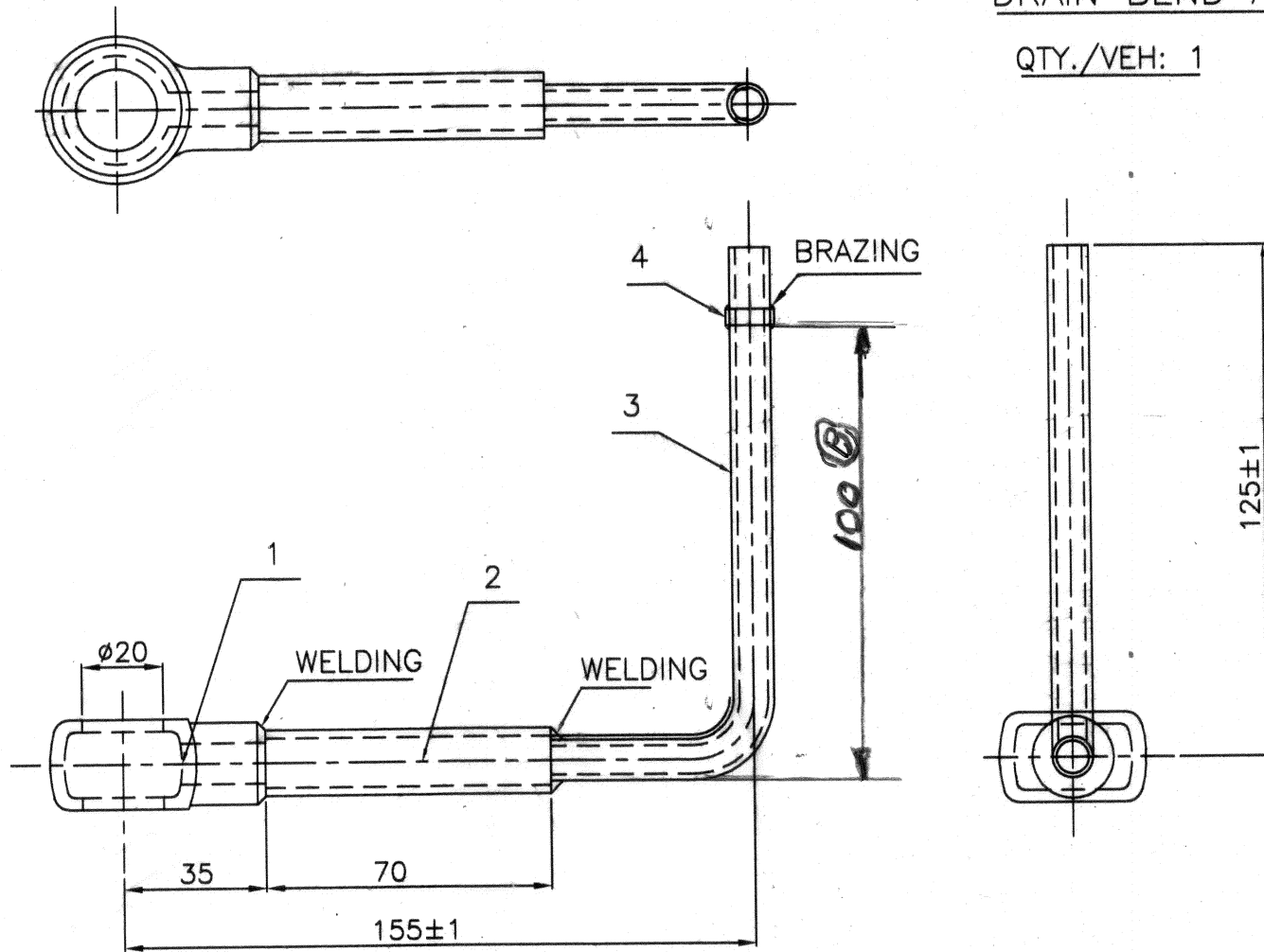


D:\MVK\640\640-03-1158-1

640-03-1158-1
DRAIN BEND ASSY.

QTY./VEH: 1



NOTE:

1. ALL DIMENSIONS ARE IN mm.
2. UNSPECIFIED LIMIT DEVIATIONS ARE ± 0.1 mm
3. COATING: PHOSPHATING.
4. BLUNT ALL SHARP CORNERS.

04	RING $\phi 12 \times \phi 10 \times 4$	01	01	BRIGHT BAR IS: 1723
03	BEND ($\phi 10 \times 1.5 \times 170$ L - IS: 1161)	01	01	
02	PIPE ($\phi 16 \times 2 \times 70$ L - IS: 1161)	01	01	
01	672-55-3	SWIVEL ELBOW	01	01
SL. NO	DRAWING NO.	NOMENCLATURE	QTY/ASSY	QTY/VEH

ISSUE		APPRD.	NATURE OF AMENDMENT		USED ON QTY./VEH	01
(B)	29-03-10 DATE	C. SINGH DRN	S/D. MMBS	DIMS "100" ADDED	MPV	
(A)	5/10/05		PART NO.4 (RING) IS NEWLY ADDED.			
AUTHD		DRG. NO:		640-03-1158-1/AB		
APRD. M.S.P.		CHKD. M.K.		DRAIN BEND ASSY.		
DRWN MVK		NAME SIGN DATE		(FUEL SYSTEM)		
ORDNANCE FACTORY MEDAK		MATERIAL:				