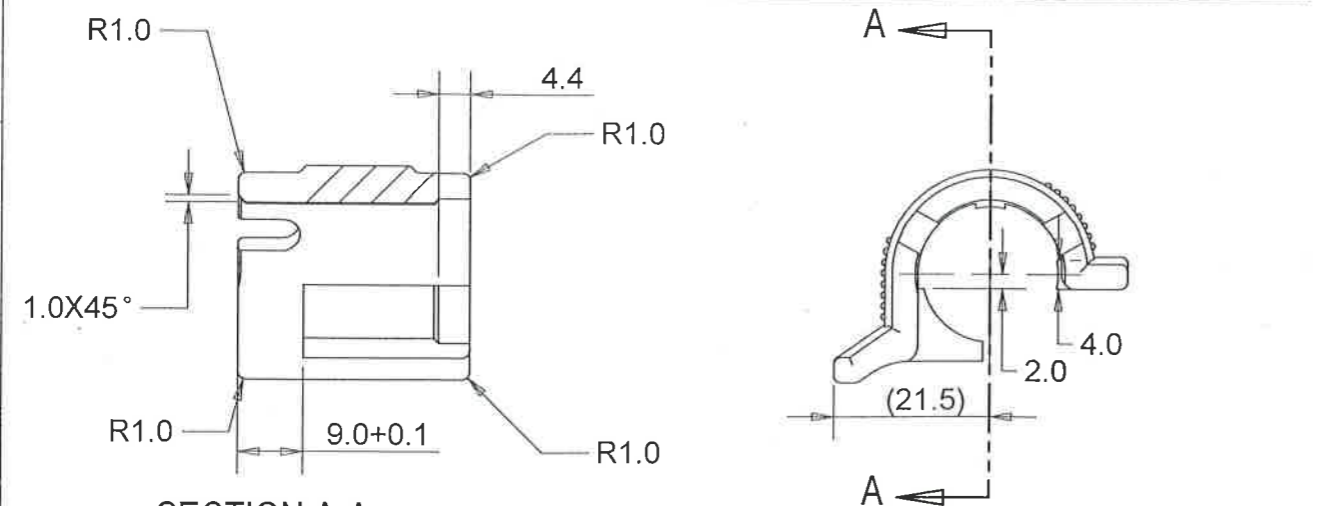


44

CONTROL COPY NO.

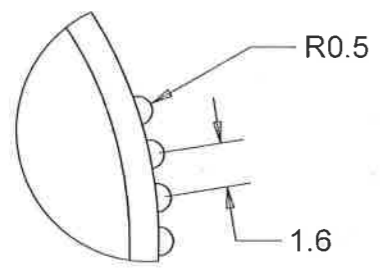
DRG.No. 0204 03 02 00 00 001 00DA

GEN. TOL. FINE/MEDIUM/COARSE CLASS TO IS: 2102 ✓ DRG. CONVENTIONS CONFIRM TO INDIAN STD. DIMN. IN mm UNLESS OTHERWISE STATED

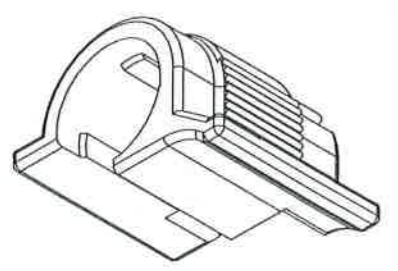


SECTION A-A SCALE 1:1

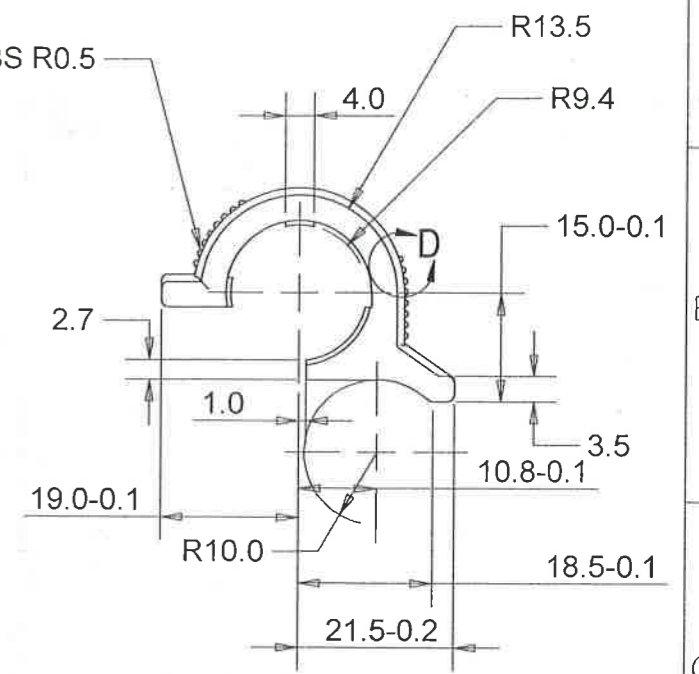
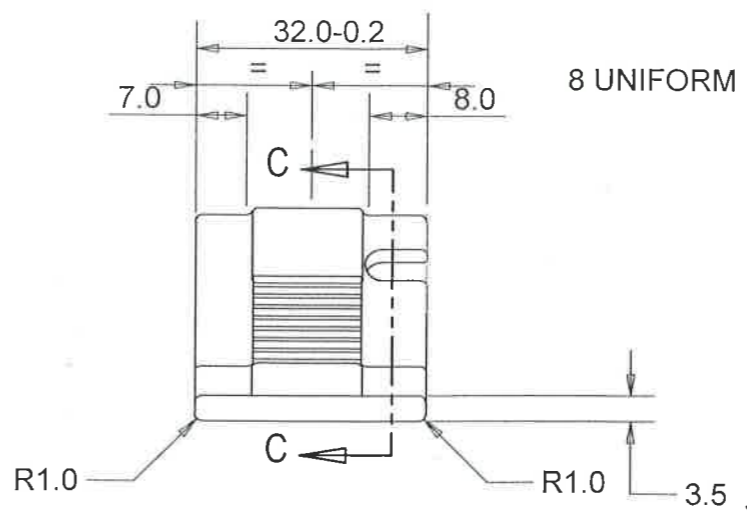
SECTION B-B SCALE 1:1



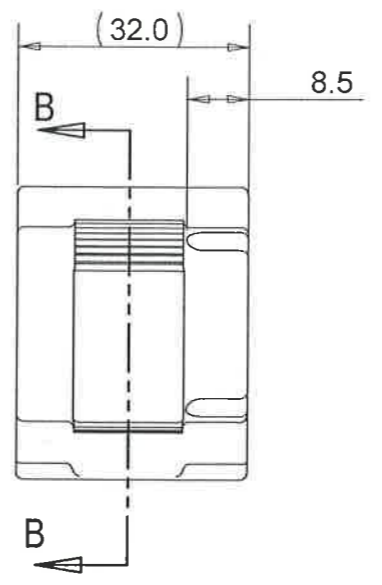
DETAIL D SCALE 4:1



- NOTES:-
- 1) REMOVE ALL SHARP EDGES AND BURRS.
  - 2) TOL. FOR ANGLES ± 30' UNLESS OTHERWISE STATED



SECTION C-C SCALE 1:1



1	26/03/2016		DRG. REVISED		
Sr. No.	DATE	AUTHORITY	BRIEF RECORD	ZONE	CD GO SIGN
		SD CHD.	MATERIAL :- LONG FIBER REINFORCED NYLON 66 (GF:20%) Gd-RePlet 312001 HI HS1JBK OR EQUIVALENT		
APPD.	DATE 26/03/2016	For Director	PROTECTIVE FINISH :-		
SEALED DATE			TITLE :-		
SCALE:- 2.1	EST. MASS		<b>GAS CYLINDER COVER MOULDING</b>		
DESIGN AUTHORITY <b>ARDE</b> PUNE 411021					
DRG.No.	0204	03	02	00	001 00DA
PART No.		DS CAT. No.		AHSP	