

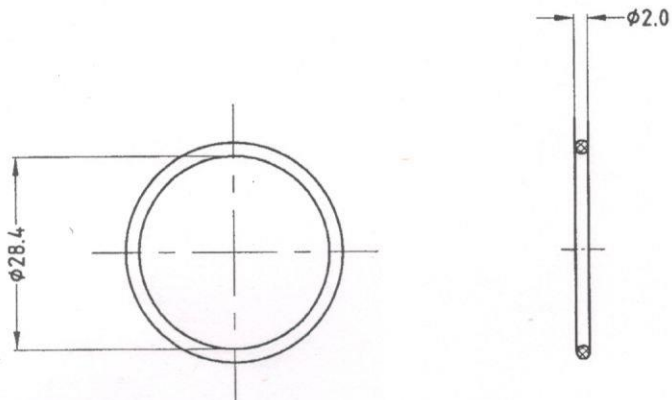
P. N. V. MONOCULAR

'O' RING, ADAPTOR

(1) FOR EXPLANATION OF DIMENSIONS ETC., SEE CQA(I) GUIDE NO.- 001-2016
 (3) THIRD ANGLE PROJECTION

(2) ALL DIMENSIONS ARE IN MILIMETERS.

ORDNANCE FACTORY, DEHRADUN.



FOR TRADE SEAL
 Date of Issue 09/01/18
 Rg

MATERIAL :- NBR, BS 2751-2001, GRADE- BA50

		DT. 20-06-18	SCALE:- 1/1
	DR.- P.C.SINGH	MATL.	FINISH
	TR.-	AS ABOVE	AS ABOVE
	CH. <input checked="" type="checkbox"/>	SHEETS-1	SHTS.-1
		APPROVED.	
AMENDMENTS.			DRAWING NO-
OFD/DO/002	(Kuldeep Saini) JWM/D.O.	(S. Bhaskar) AWM/Opt.	<u>CWC-252/19</u>