

802 X 0

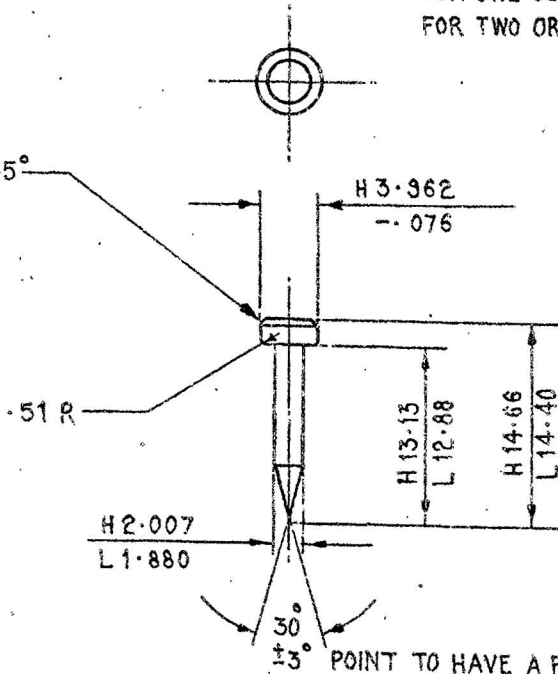
DRG. CONVENTIONS CONFORM TO IS : 696

PART No. DIMNS. ARE IN mm

DCI.18743-A
D.C.C.I.A.
I.L.C.
W.O.L.C.

NOTE :-

TOL. ON UNTOL. DIMENSIONS
FOR ONE DECIMAL PLACE ± 0.13
FOR TWO OR MORE DECIMAL PLACES ± 0.13



MATL :-

STEEL BS 970 Pt 1:1983
GR 303 S 3!

	27-11-87	DCI. 34279-A	MATL SPECN. AMENDED			
	27-6-87	DCI. 34168-A	MATL. AMENDED & D.S. CAT No ADDED.			
	29-7-78		PETRACED WITHOUT CHANGE.			
			PREVIOUS D.C.I. Nos 18743-A, 20886-A, 28371-A & 32465-A.			50/-
R. No.	DATE	AUTHORITY	REVISION	ZONE	AHSP	D.O.
						SIG.

DRG. SEALED 14-8-44

DRN.	CHD.	TCD. R.D.T.	COMP.	ASSY. DRG.
C. D' MAN	O/H C.E.O.	SCALE :- 2/1		
APPD.	80/- FOR C.F.A.D.	EST MASS :-		
		GAUGE SCHD :-		
		DATE :- 26-7-44		

MATL :- AS ABOVE	DESIGNER'S REF.
PROTECTIVE FINISH :-	F.D. 2493
	PART No.
	Q.X. 203
	D. S. CAT. No.
	1390-000336
	AHSP :- C. I. (A.) KIRKEE

NEEDLE