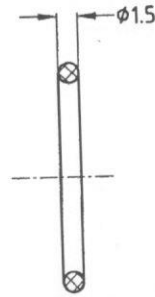
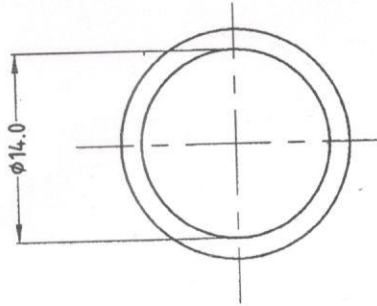


P. N. V. MONOCULAR

'O' RING, FOR CAP

(1) FOR EXPLANATION OF DIMENSIONS ETC., SEE CQA(I) GUIDE NO.- 001-2016
 (3) THIRD ANGLE PROJECTION

(2) ALL DIMENSIONS ARE IN MILIMETERS.



ORDNANCE FACTORY, DEHRADUN.

MATERIAL :- SILICONE RUBBER BLACK, MIL A-A-59588B
 CLASS 1B, GRADE- 60

FOR TRADE COPY
 Date of Issue 02/01/21
Raj

	DR.- P.C.SINGH	DT. 20-06-18	SCALE:- 2/1
	TR.-	MATL. AS ABOVE	FINISH AS ABOVE
	CH. <i>X</i>	SHEETS-1	SHTS.-1
AMENDMENTS.	APPROVED. <i>[Signature]</i>	DRAWING NO- <u>CWC-252/20</u>	
OFD/DO/002	(Kuldeep Saini) JWM/D.O. (S. Bhaskar) AWM/Opt.		