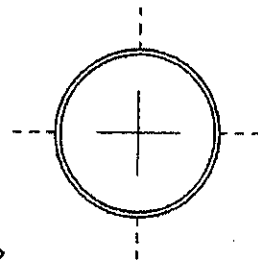
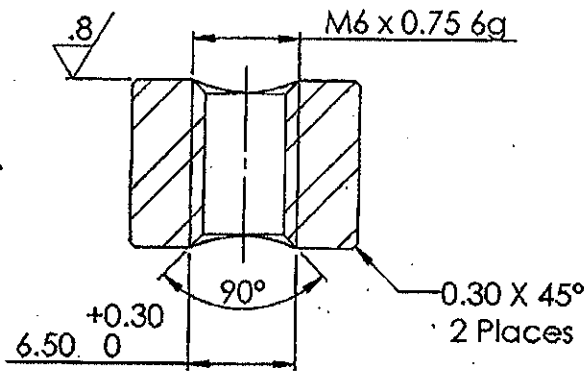
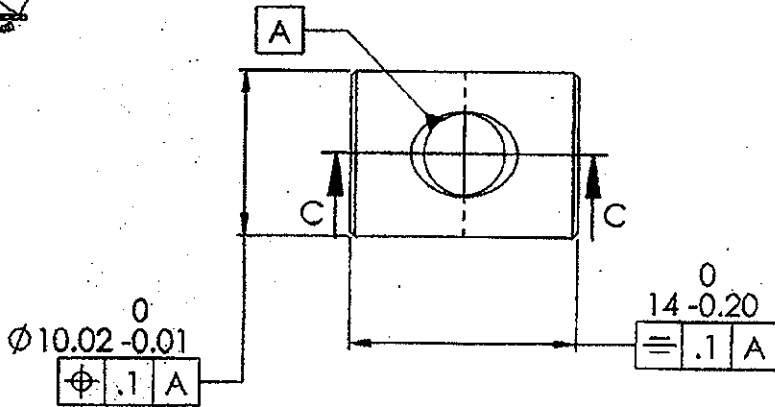
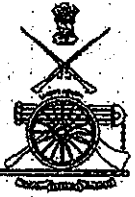


DRG NO.

DIMENSIONS ARE IN mm.
 UNTOLERATED DIMNS. AS PER IS : 2102 (MED)
 MARK DRAWING No.



CERTIFIED CORRECT COPY
 OF APPROVED DRAWINGS
 AT THIS DATE. 2.4.18.

SECTION C-C

UN CONTROLLED COPY

Design & Drawing Office
 Ordnance Factory,
 Tiruchirappalli-620016

Material :
 Steel
 BS:970 Pt.1 1983 Sec.3 Gr.709 M40 (or) EN19A
 Alt. Matl.
 BS:970 Pt.1 1983 Sec.3 Gr.708 M40 (or) EN19

Hardness: 300 - 350 HV

Protective Finish :
 Accelerated Phospating to Specn. 0465-01-1994 Class II
 Oil Finish

			SIGNATURE & DATE.	SUB: Front Sight Adjusting Block	SCALE NTS			
			TRACED			FOR: Barrel Assy		
			DRAWN				OF: TRICHY ASSAULT RIFLE.	
			CHECKED					DES. REF. NO. K-1023
			OIC/D&DO					
OFFICER/PRODN.	ORDNANCE FACTORY TIRUCHIRAPPALLI-16.							
DIV. OFFICER/D&DO		SHEETS: 1						
AMENDMENTS			APPROVED ON. 01/12/2017	SHEET No.: 1				
SIG. & DATE								