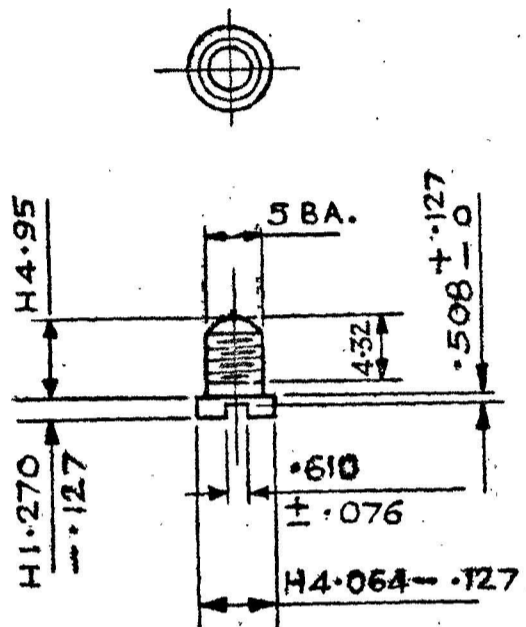


D.C.I. 25257-A

FOR EXPLANATION OF DIMENSIONING ETC.,
THIRD ANGLE PROJECTION DIMENSIONS ARE IN mm



NOTE:-

TOL. ON UNTOL. DIMENSIONS
FOR ONE DECIMAL PLACE ± .3
FOR TWO OR MORE DECIMAL PLACES ± .13

| | | | | | | | |
|---|--|---------------|--|----------------|--|--------------------------------|--|
| | | | | D.S. CAT NO | | 1390-000284 | |
| | | | | ASSLY. DRG:- | | | |
| | | | | INSP. INSTRS:- | | | |
| DRG SCANNED WITHOUT CHANGE & NEG. REPLACED. | | | | 11/5/11 | | SCALE:- 2/1 | |
| MATL. AMENDED & D.S. CAT NO ADDED | | DCI-34168-A | | 27-6-87 | | DRAWN | |
| DRG. CONVERTED TO S.I. UNITS. NEW COPY OF DRG. SEALED IN SUPERSESSION OF THE EXISTING DRG. OF THE SAME NO | | D.C.I.32465-A | | 7-9-77 | | CHECKED | |
| TRACED WITHOUT CHANGE | | | | 18-8-66 | | TRACED | |
| DRAWING SEALED FOR INDIA | | D.C.I.25257-A | | 17-1-59 | | TRN.CHD | |
| NATURE | | AUTHORITY | | DATE | | DATE :- 9-6-54 FOR :- B.I.ARM. | |
| AMENDMENTS | | | | | | PART NO | |
| SEALED:- 17-1-59 | | | | | | QX 968 | |
| MATERIAL:- STEEL BS 970 PT.1 1983:220 M07 | | | | | | DESIGNER'S REFERENCE I.A.2352 | |
| PROTECTIVE FINISH:- | | | | | | D3(L)6905 | |
| ESTIMATED MASS:- | | | | | | | |
| SCREW | | | | TRACED AT | | TRACED | |
| | | | | C.I.A. KIRKEE | | J. R. N. | |
| | | | | | | CHECKED | |
| | | | | | | DATE | |
| | | | | | | 28-8-54 | |

11/88