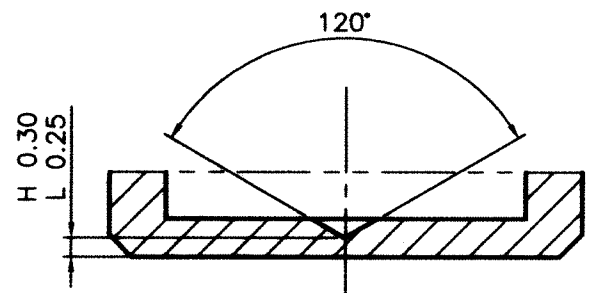
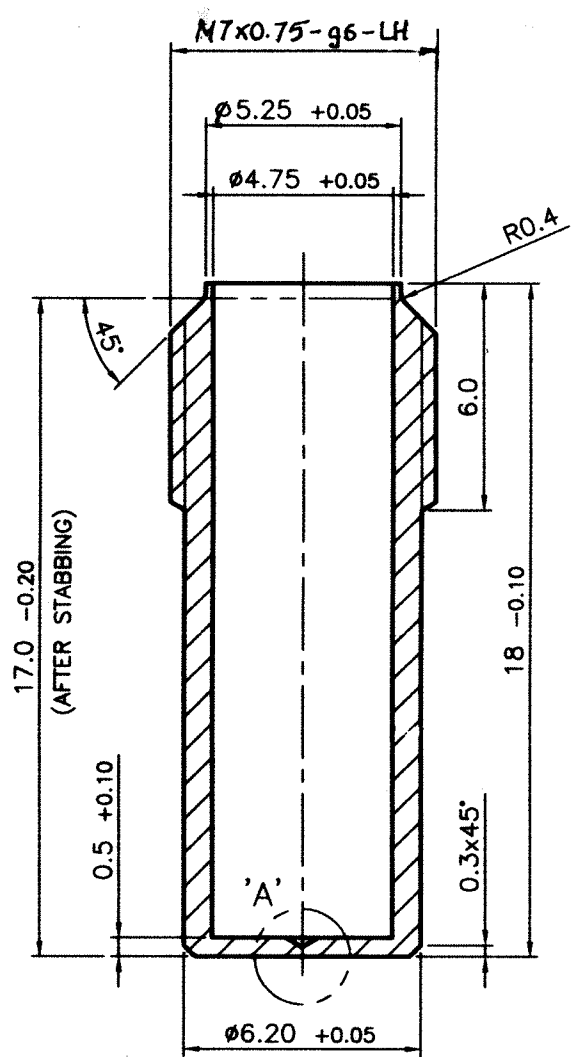


DRG. NO : FS-2475 'B'

TOLERANCE ON UNTOLERATED DIMNS. ARE AS PER IS: 2102, MEDIUM CLASS

PROVISIONAL

A M E N D M E N T S			
REV.	DATE	DESCRIPTION	SIGN.
A 23/04	10-08-04	Alternate material added.	<i>se</i> JEM/R&D
17 06	12-01 06	ALT. MATERIAL DELETED DRG. ADV. TO 'B'	<i>Paul</i> AWM/R&D



DETAIL AT 'A'
SCALE 10 : 1

MATERIAL: BS 970 : Part 3 : 1991
Grade 430S17 COLD DRAWN

3.2

DIMENSIONS ARE IN mm			MATERIAL : AS ABOVE		ORDNANCE FACTORY AMBAJHARI
THIRD ANGLE PROJECTION			NOMENCLATURE :		
SCALE : 5 : 1			MAGAZINE TUBE		DRG. NO : FS-2475 'B'
2004	NAME	DATE			SHEET NO : 1
DRAWN	<i>shakti</i>	02/03/04			NO. OF SHEETS : 1
REDRAWN					OPERATION NO :
CHECKED	<i>Primal</i>	03/03/04			COMPT. : FUZE M842
JWM/CDD	<i>Primal</i>	03/03/04			
APPVD.	JCM/R&D	<i>se</i>	03/03/04	MACHINE :	
				STORE : AMMN. 20mm AMR HEI	