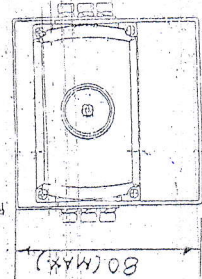


90 (MAX)

4 PIN FEMALE



NOTE: (i) ALL DIMENSIONS ARE IN MM.
 (ii) OPERATING VOLTAGE: 24 VOLT-DC
 (iii) SAMPLE SHOULD BE APPROVED BEFORE BULK SUPPLY.

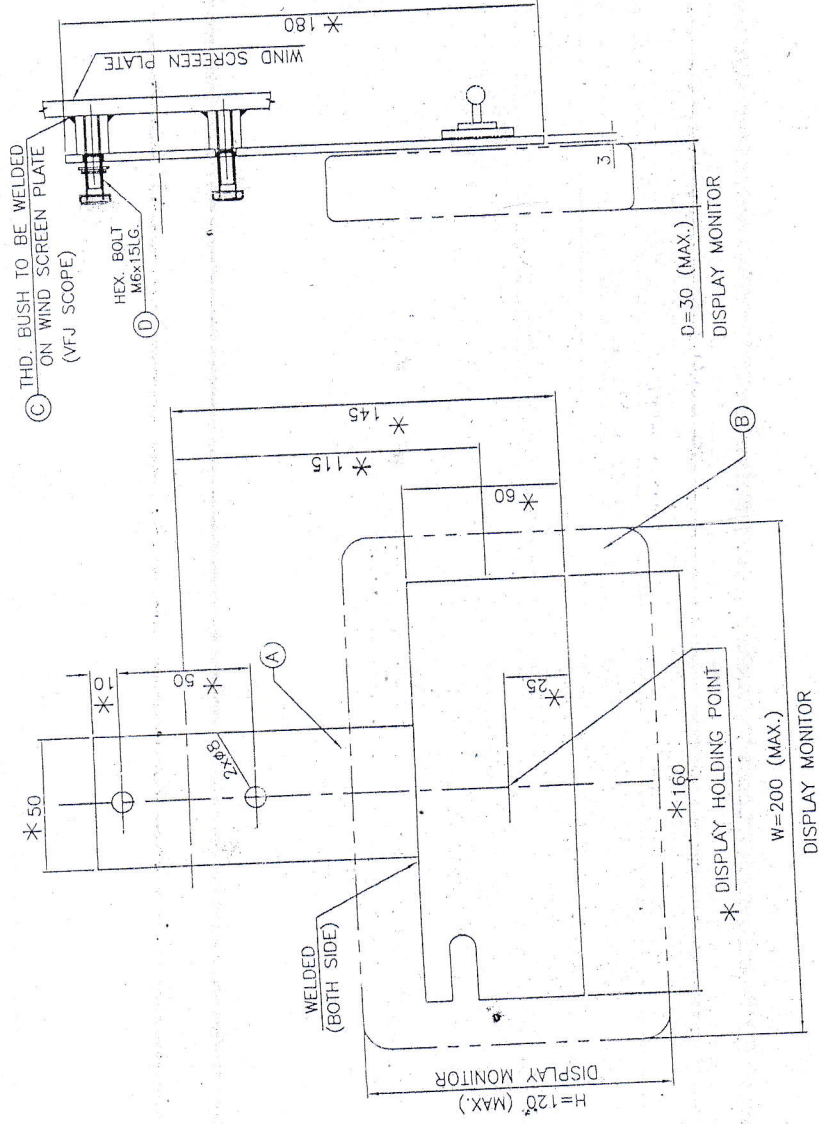
ITEM	DESCRIPTION	QTY	UNIT	DATE	SIGN	REMARKS
5	2A-MINI FUSE	1	2=3			
01	(WITH CABLE) +02(FOR SF,RC)-03	1	MIN 10 METER			REFER DRG. NO. 2714-57-31, SHT 2/2
7	CONNECTING CABLE WITH MALE & FEMALE-END CONNECTORS (4PIN)	1				REFER DRG. NO. 2714-57-31, SHT 2/2
4	8. FEMALE-END CONNECTORS (4PIN)	1				REFER DRG. NO. 2714-57-31, SHT 2/2
3	CAMERA WITH MTC. BRKT	1				REFER DRG. NO. 2714-57-31, SHT 2/2
2	CABLE ADAPTER WITH MALE CONNECTORS	1				REFER DRG. NO. 2714-57-31, SHT 2/2
1	MONITOR WITH MTC. BRKT	1				REFER DRG. NO. 2714-57-31, SHT 2/2
TREATISE						
UPGRADED DIR/DOC						
MPV						
AD/DOC						
MODEL						
JW/M/DOC						
DRN. 19						
APPROVED BY						
DATE						
SIGN						
ALTERNATE						
NOTE						
APPROVED BY						
DATE						
SIGNATURE						
DATE						
SCALE						
DATE						
REPLACEMENT FOR						
REF. DRG. NO.						
REPLACED BY						
DATE						
REPLACEMENT FOR						
DRG. NO. 2689-57-31						
SHT						
1/1						

ELECTRICAL CONNECTION
 REAR VIEW CAMERA
 FOR
 UPGRADED MPV 4X4
 VEHICLE FACTORY JABALPUR

O.D.C.

ALL DIMENSIONS ARE IN MM

REF. DRG. OF MTG. BRKT. FOR DISPLAY MONITOR



NOTE:

1. COLOUR OF THE BRACKET TO BE PAINTED : BLACK. (FINE FINISH) WITH POWDER COATING AS PER IS:13871.
2. SAMPLE SHOULD BE APPROVED BEFORE BULK SUPPLY.

SPL. NOTE:

- (i). SCREEN SHOULD BE ABLE TO MOUNT ON BRKT. SUPPLIED BY VENDOR. ALL HARDWARE REQUIRED FOR MTG. WILL BE PROVIDED BY VENDOR.
- (ii). DIMNS. TO BE STRICTLY MAINTAINED BY VENDOR. THIS IS TENTATIVE BRACKET DRG. VENDOR CAN CHANGE AT THEIR END FOR BETTER IMPROVEMENT.

D	M6 HEX BOLT, WASHER, & SPRING WASHER	2	M.S.	M6x15 LG.	VENDOR SCOPE
C	THREADED BUSH	2	M.S.		VENDOR SCOPE
B	DISPLAY MONITOR	1	M.S.		VENDOR SCOPE
A	MTG BRACKET	1	M.S.		VENDOR SCOPE
ITEM	DESCRIPTION	NO.OFF	MATL	TREAT/SIZE	REMARKS
					DIR/ODC
					UPGRADED MPV 4x4
					APPLIC On line
					IN/ODC
					DRN
					CKD
					NTS
					SCALE
					DATE
					REPLACED BY
					REF.DRG. NO.
					REPLACEMENT FOR
					DRG NO. 2713-57-31
					2/2
					SHT

ALTERATION SIGN DATE

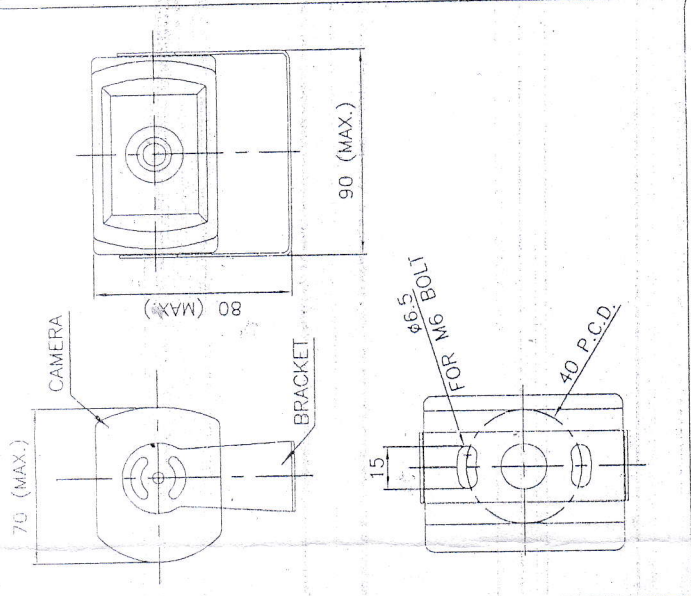
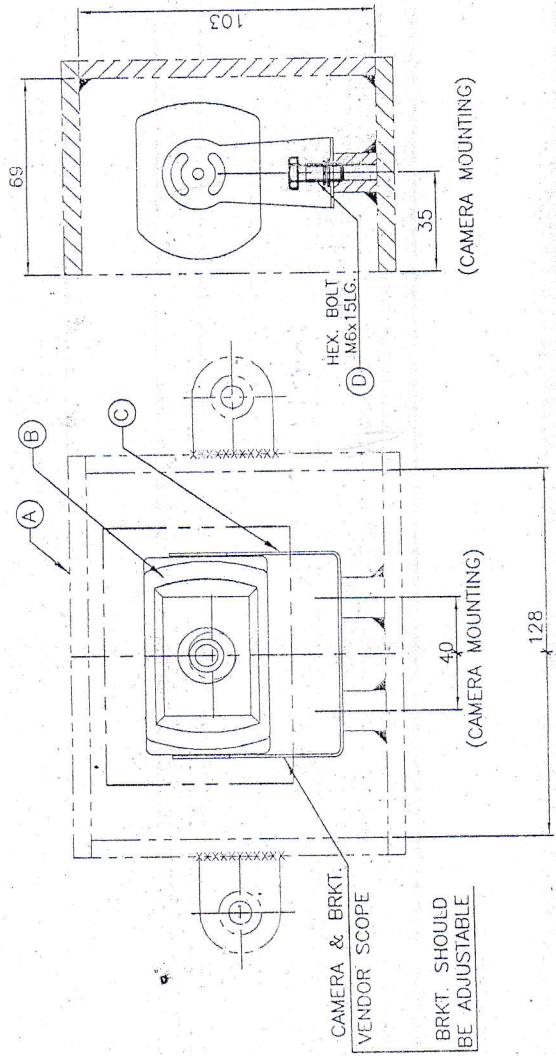
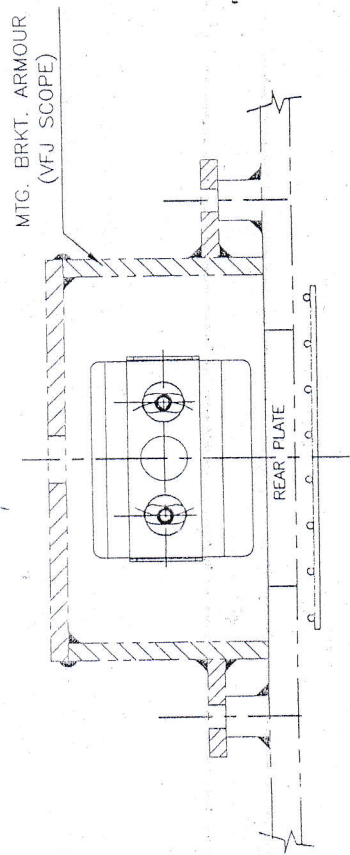
BRACKET FOR MTG. REAR VIEW CAMERA DISPLAY FOR UPGRADED MPV 4x4

VEHICLE FACTORY JABALPUR

ODC

ALL DIMENSIONS ARE IN MM.

REF. DRG. OF MTG. BRKT. FOR CAMERA



D	M6 HEX BOLT, WASHER, & SPRING WASHER	4	M.S.	M6x15LG.	VENDOR SCOPE
C	BRACKET	1			VENDOR SCOPE
B	CAMERA	1			VENDOR SCOPE
A	MOUNTING BRACKET ARMOUR	1	NO.OFF	MATL	VFJ SCOPE
ITEM	DESCR: ION				REMARKS
					DIR/ODC
					UPGRADED AD/ODC
					MP V
					4X4
					JVM/ODC
INDEX	ALTERATION	SIGN	DATE	MODEL	DRN
DIMS. TOL				APPLICABLE	CKD
0-30 ±0.1					7
30-250 ±0.2					1
250-600 ±0.3					1
600-2000 ±0.5					1
>2000 ±0.8					1
GEN.TOL.					1
ODC					1
REF. DRG. NO.					SCALE
BRACKET					NTS
FOR REAR VIEW CAMERA, MTG.					DATE
UPGRADED MPV 4X4					
REPLACED BY					
REPLACEMENT FOR					
VEHICLE FACTORY JABALPUR					DRG. NO. 2714-57-31
					3/3
					SHT

- NOTE:
1. FIRM SHOULD SUPPLY CAMERA TO SUIT AS PER MTG. BRKT. (VFJ).
 2. SAMPLE SHOULD BE APPROVED BEFORE BULK SUPPLY.
 3. ITEM (C) COLOUR OF THE BRACKET TO BE PAINTED : BLACK. (FINE FINISH) WITH POWDER COATING AS PER IS:15871.