
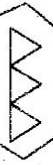
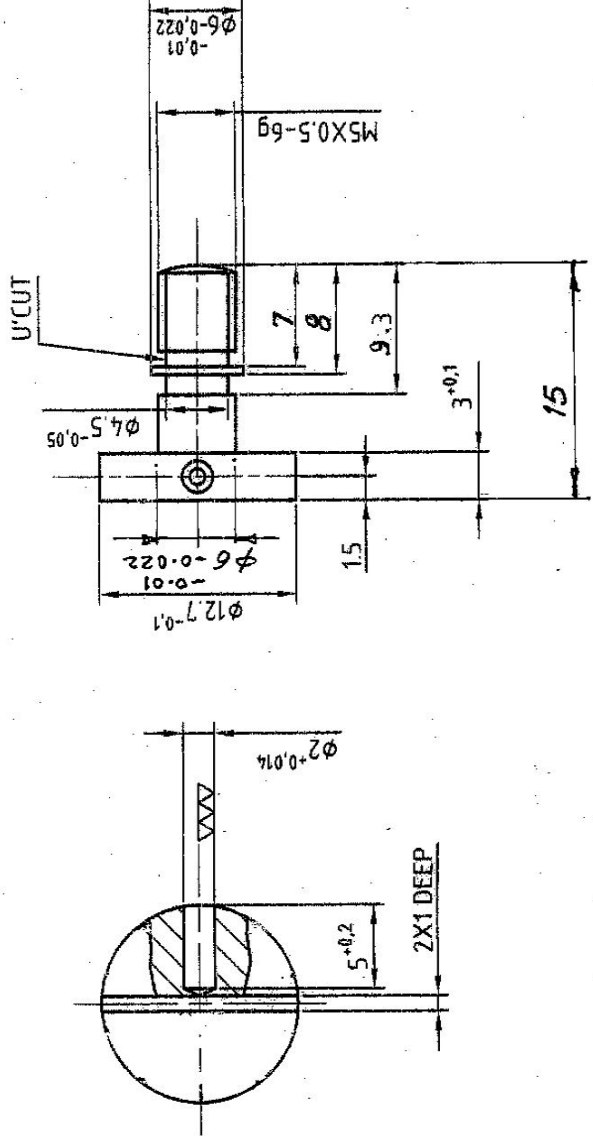


MATERIAL: ST. STEEL IS 6603 : 01
Gr X 20 Cr 13

TREATMENT -

SURFACE FINISH:  

PROTECTIVE FINISH -



270918

एचएचएल
FOR TRADE ONLY

QPS : 02 Nos.

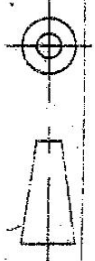
ITEM	DESCRIPTION	No. OFF	MATERIAL	REMARKS
LIST OF PARTS				
COMPT. No.	ASSY. DRG.	TITLE		
2007	RED DOT SIGHT	OPTO ELECTRONICS FACTORY DEHRADUN		
DRAWN	GEN. TOL. IS 2102-m (PT.-1)	SCREW		
CHECKED	16/4	REF. M1		
HOS	16-9	DRG.No.OLF/R&D/RDS/001.04.02.01		
	16-4			
AWM/R&D	NAME	DATE	SCALE: 2:1	
	APPROVED	M/Y.	SHTS. 07 SHT. No. 03	
		4/07		
D.A.No.	DT./SIGN	DESCRIPTION	AMENDMENTS	

ITEM NO.	NOMENCLATURE	DRG NO.	QTY.	MATERIAL	SHEET SIZE
1	RED DOT SIGHT MAIN ASSY.	OLF/R&D/RDS/001			A3
1	BODY ASSY	OLF/R&D/RDS/00101	1		A3
2	COVER ASSY (FRONT)	OLF/R&D/RDS/00102	1		A4
3	COVER ASSY (REAR)	OLF/R&D/RDS/00103	1		A4
4	CONNECTOR ASSY	OLF/R&D/RDS/00104	2		A4
5	ELECTRONICS ASSY	OLF/R&D/RDS/00105	1		A4
6	MOUNT ASSY	OLF/R&D/RDS/00106	1		A4
7	CASE CARRYING	OLF/R&D/RDS/00107	1		A3
8	SCREW DRIVER	OLF/R&D/RDS/00108	1		A4
9	LIST OF CONTENTS	OLF/R&D/RDS/00109	1		A4

270918

ऑप्टिकल डॉट साइट
FOR TRADE ONLY

COMPT. No.		ASSY. DRG.		OPTO ELECTRONICS FACTORY DEHRADUN	
2007	GEN. TOL. IS 2:102-m (PT. -1)	RED DOT SIGHT		TITLE	
DRAWN	A.S.	16-4	RED DOT SIGHT MAIN ASSY.		
CHECKED	S.P. GUNJ	16-4	REF.		
HOS	S.P. GUNJ	16-4	M1		
AWM/ R&D	NAME	DATE	DRG.No.OLF/R&D/RDS/001		
	S.P.	4/07	SCALE: 1:1		
AMENDMENTS		APPROVED		SHTS. 02 SHT. No. 01	

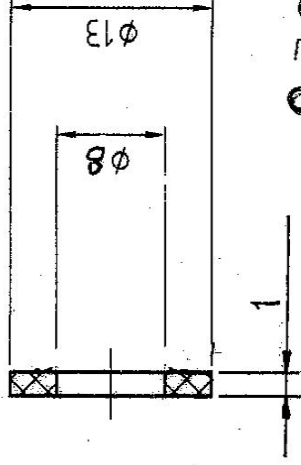
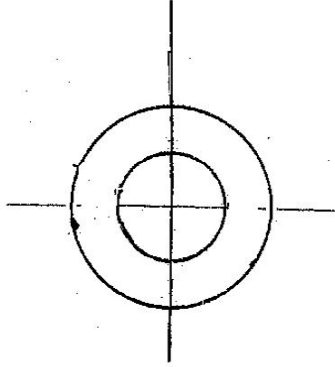


MATERIAL: -- NR RUBBER COMPOUND IS 5192 F1.1
1994 GF-Z-50

TREATMENT: --

SURFACE FINISH: ▽▽

PROTECTIVE FINISH: --



270918

DATE 24/7/15
FOR TRADE ONLY

QTY: 02

OLD NO. 037009

ITEM	DESCRIPTION	No. OFF	MATERIAL	REMARKS
LIST OF PARTS				
COMPT. No.	ASSY. DRG.	TITLE		
	RED DOT SIGHT	RING		
2007	GEN. TOL. IS 2102-m (PT. -1)	REF. M		
DRAWN	AW	16/4		
CHECKED	GTJH	16.4		
HOS	GTJH	16.4		
	NAME	DATE	DRG.No. OLF/R&D/RDS/001.04.09	
AWM/R&D	APPROVED	M/Yr.	SCALE: 2:1	
		4/07	SHTS. 08 SHT. No 08	

D.A.No.	DT./SIGN	DESCRIPTION
DO/DA/95/15	J-E Gm/BG 24/7/15	NEW COMPT. ADDED

AMENDMENTS	

MATERIAL: — N. RUBBER COMPOUND IS 5192 P1.1
1994 Gr-Z-50

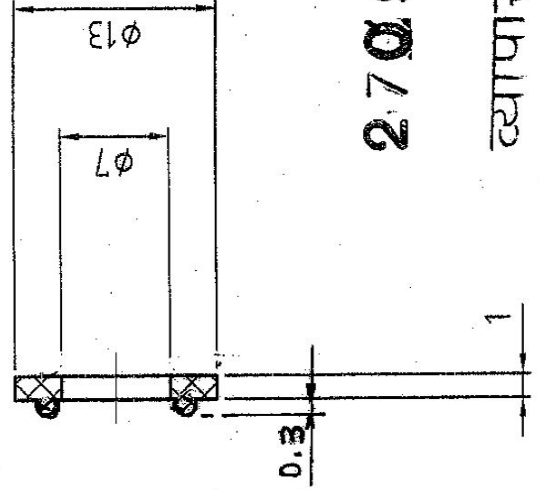
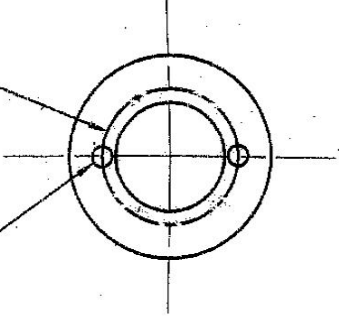
TREATMENT —

SURFACE FINISH: ∇∇

PROTECTIVE FINISH: —

∅1.3
10 NOS.
EQUI SPACED

PCD 8.75



270918

ब्याचर नं०

FOR TRADE ONLY

QTY: 1

ITEM	DESCRIPTION	No. OFF	MATERIAL	REMARKS
LIST OF PARTS				
COMPT. No.		OPTO ELECTRONICS FACTORY DEHRADUN		
ASSY. DRG.		TITLE		
RED DOT SIGHT		RING		
2007	GEN. TOL. IS Z102-m (Pt.-1)	REF. M 1		
DRAWN	AKY	16/4	DRG.No. OLF/R&D/RDS/001.05.09	
CHECKED	GTJ MS	16.4	SCALE: 2:1	
HQS	GTJ MS	16.4	SHTS. 18	
	NAME	DATE	SHT. No. 12	
AWM/R&D	AKY	M/Yr. 4/07	REF. M 1	
APPROVED				
D.A.No.	DT./SIGN	DESCRIPTION	AMENDMENTS	

ITEM NO	NOMENCLATURE	DRG.NO.	QTY.	MATERIAL	SHEET SIZE.
	SCREW ASSY	OLF/R&D/RDS/001.04.02	02		
	COMPONENTS				
1	SCREW	OLF/R&D/RDS/001.04.02.01	02	Gr X 20 Cr 13	A4
2	PIN	OLF/R&D/RDS/001.04.02.02	02	ST. STEEL IS 6603 : 2001 Gr X 20 Cr 13	A4
3	'O' RING (RUBBER)	OLF/R&D/RDS/001.04.02.03	02	SYNTHETIC RUBBER NITRILE BLACK BA-3 RHD 51-60 TO BS: 2751-56	A4
4	COMPRESSED SPRING	OLF/R&D/RDS/001.04.02.04	02	X07 Cr 18 Ni9 IS 4454 (PT4) :2001	A4
5	BUSH	OLF/R&D/RDS/001.04.02.05	02	X 20 Cr 13, IS 6603:2001	A4

270918

ऑप्टो इलेक्ट्रॉनिक्स
FOR TRADE ONLY

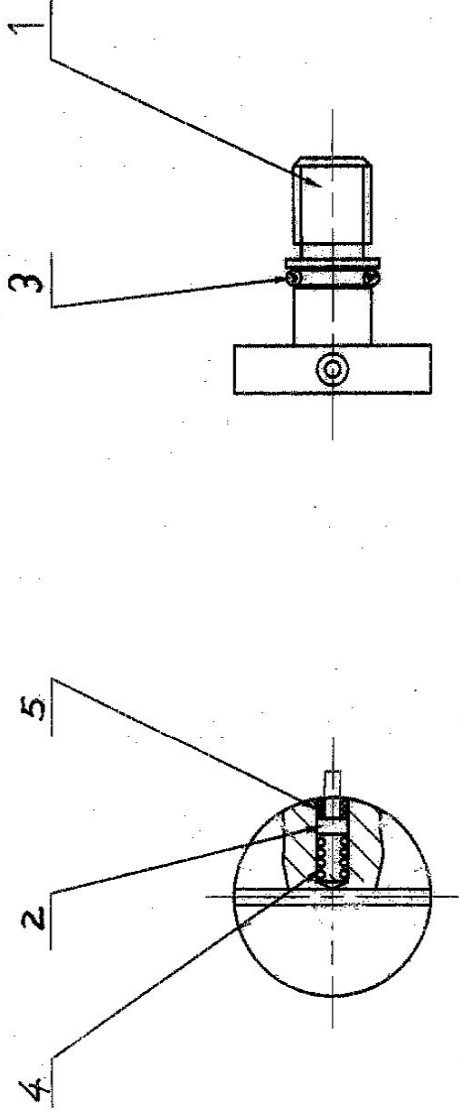
COMPT. No.		ASSY. DRG.		OPTO ELECTRONICS FACTORY DEHRADUN	
2007		RED DOT SIGHT		TITLE.	
DRAWN		GEN. TOL. IS 2102-m (Pt.-1)		SCREW ASSY	
CHECKED		16/4		REF.	
HOS		16.4		M1	
NAME		DATE		DRG.No OLF/R&D/RDS/001.04.02	
AWM/ R&D		M/Yr.		SCALE: —	
APPROVED		4/07		SHTS. 07 SHT.No. 01	
AMENDMENTS					

MATERIAL: _____

TREATMENT: _____

SURFACE FINISH: _____

PROTECTIVE FINISH: _____



270918

आपका हेतु
FOR TRADE ONLY

QPS : 02 Nos

OLD NO.036003

COMPT. No.		ASSY. DRG.	OPTO ELECTRONICS FACTORY DEHRADUN	
2007	GEN. TOL. IS 2102-m (Pt.-1)	RED DOT SIGHT	TITLE	
DRAWN	16/4		SCREW ASSY.	
CHECKED	16.4.		REF.	
HOS	16.4.		M.1	
AWM/ R&D	NAME	DATE	DRG.No. OLF/R&D/RDS/001.04.02	
	APPROVED	M/Yr.	SCALE: 2:1	
D.A.No.	DT./SIGN	DESCRIPTION	SHTS. 07 SHT. No. 02	
AMENDMENTS				

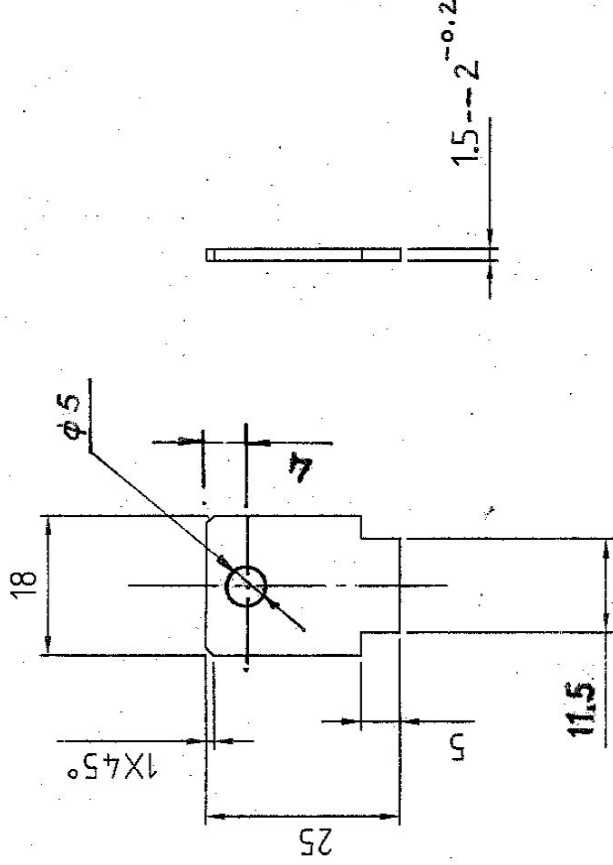
MATERIAL: STEEL 45 C & IS: 5517

TREATMENT
HARDNESS

HRC: 42---45

SURFACE FINISH: ∇∇

PROTECTIVE FINISH: CHEMICAL ZINC PLATED



270918

एनएच ईग
FOR TRADE ONLY

ITEM	DESCRIPTION	No. OFF	MATERIAL	REMARKS
LIST OF PARTS				
COMPT. No.	ASSY. DRG.	TITLE		
2012	RDS	OPTO ELECTRONICS FACTORY DEHRADUN		
DRAWN	GEN. TOL IS 2102 (PT-1):1993-m	SCREW DRIVER FOR RDS		
CHECKED	10/9/12	REF. M		
JWM	10/9/12	DRG.No. OLF/R&D/RDS/001.08		
DGM/TS	NAME	SCALE: 1:1		
	DATE	SHTS. 01		
	APPROVED	SHT.No. 01		
AMENDMENTS				

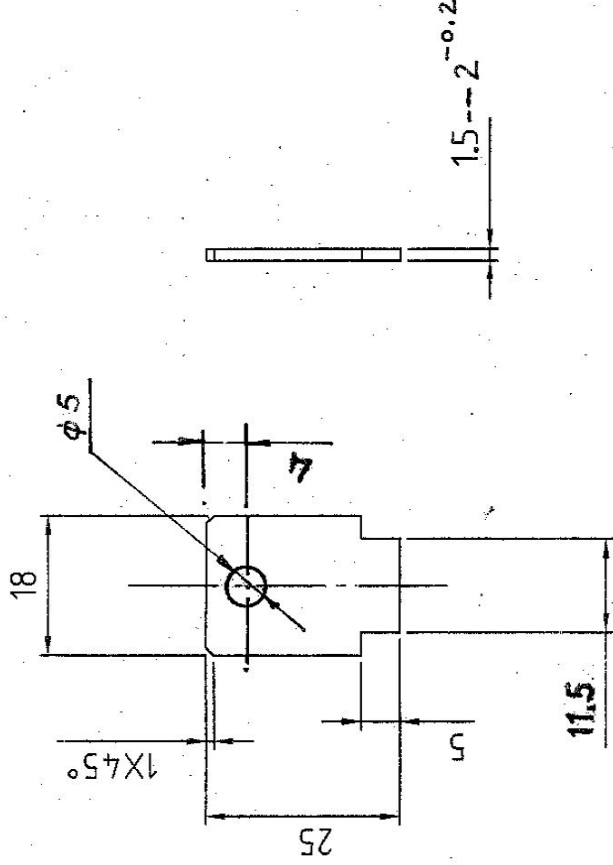
MATERIAL: STEEL 45 C & IS: 5517

TREATMENT
HARDNESS

HRC: 42---45

SURFACE FINISH: ∇∇

PROTECTIVE FINISH: CHEMICAL ZINC PLATED



270918

एनएच
FOR TRADE ONLY

ITEM	DESCRIPTION	No. OFF	MATERIAL	REMARKS
LIST OF PARTS				
COMPT. No.	ASSY. DRG.	TITLE		
2012	RDS	OPTO ELECTRONICS FACTORY DEHRADUN		
DRAWN	GEN. TOL IS 2102 (PT-1):1993-III <i>[Signature]</i>	10/9/12	SCREW DRIVER FOR RDS	
CHECKED	<i>[Signature]</i>	10/9/12	REF. M	
JWM	A.L.R.	10/9	DRG.No. OLF/R&D/RDS/001.08	
DGM/TS	NAME	DATE	SCALE: 1:1	
	<i>[Signature]</i>		SHTS. 01 SHT.No. 01	
DATE/SIGN		DESCRIPTION		
AMENDMENTS				

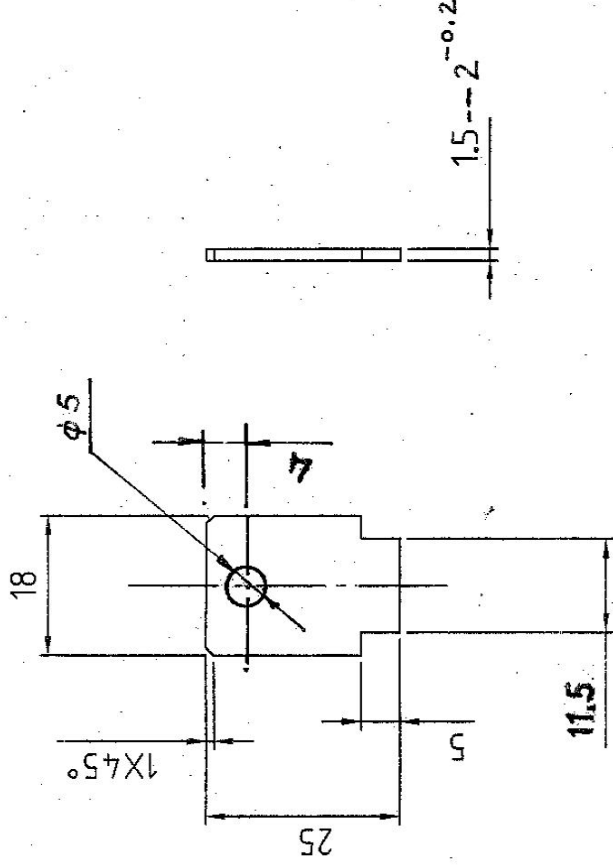
MATERIAL: STEEL 45 C & IS: 5517

TREATMENT
HARDNESS

HRC: 42---45

SURFACE FINISH: ∇∇

PROTECTIVE FINISH: CHEMICAL ZINC PLATED



270918

एनएच
FOR TRADE ONLY

ITEM	DESCRIPTION	No. OFF	MATERIAL	REMARKS
LIST OF PARTS				
COMPT. No.	ASSY. DRG.	TITLE		
2012	RDS	OPTO ELECTRONICS FACTORY DEHRADUN		
DRAWN	GEN. TOL IS 2102 (PT-1) : 1993-III <i>[Signature]</i>	SCREW DRIVER FOR RDS		
CHECKED	<i>[Signature]</i> 10/9/12	REF. M		
JWM	<i>[Signature]</i> 10/9/12	DRG.No. OLF/R&D/RDS/001.08		
DGM/TS	NAME <i>[Signature]</i>	SCALE: 1:1		
D.A.No.	DATE/SIGN	SHTS. 01		
AMENDMENTS		SHT.No. 01		

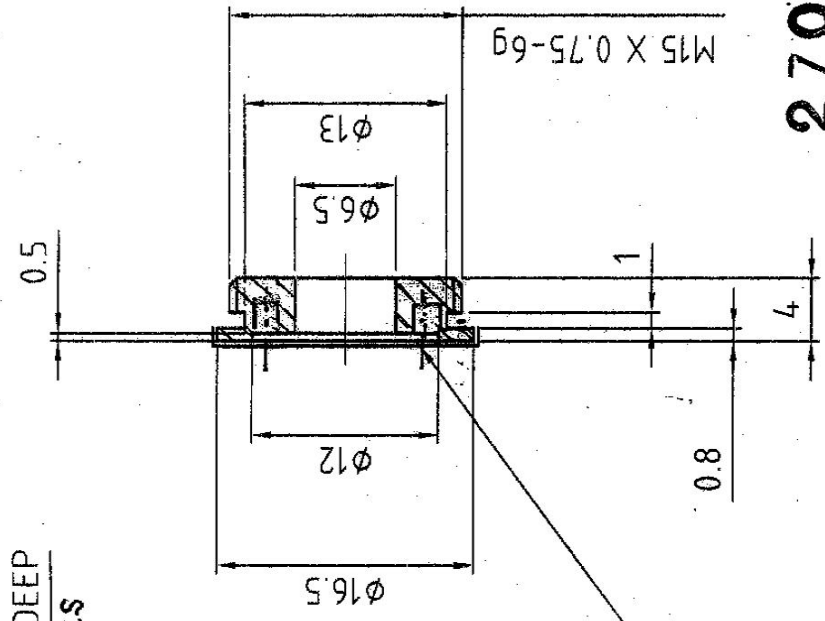
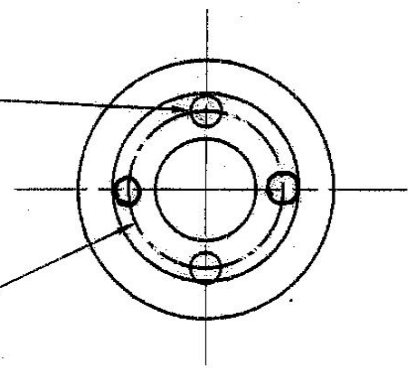
MATERIAL: — BRASS IS 319 : 89 TYPE-1

TREATMENT —

SURFACE FINISH: ▽

PROTECTIVE FINISH :- CH.OXIDATION; BLACK DULL

PCD 10
 Ø2 X 2 DEEP
 4 HOLES



BLACK PAINT

ऑप्टो इलेक्ट्रॉनिक्स फैक्ट्री
 FOR TRADE ONLY QTY-1

ITEM	DESCRIPTION	No. OFF	MATERIAL	REMARKS
LIST OF PARTS				
COMPT. No.	ASSY. DRG.	TITLE		
2007	RED DOT SIGHT	OPTO ELECTRONICS FACTORY DEHRADUN		
DRAWN	GEN. TOL. IS 2102-m (Pt.-1)	SCREW		
CHECKED	16.4	REF. M 1		
HQS	16.4	DRG.No. OLF/R&D/RDS/001.01.07		
AWM/R&D	NAME	DATE	SCALE: 2:1	
	APPROVED	M/Yr.	SHTS. 16 SHT. No. 09	
		4/07		

D.A.No. DT./SIGN DESCRIPTION

AMENDMENTS