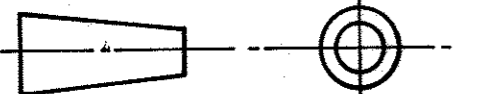


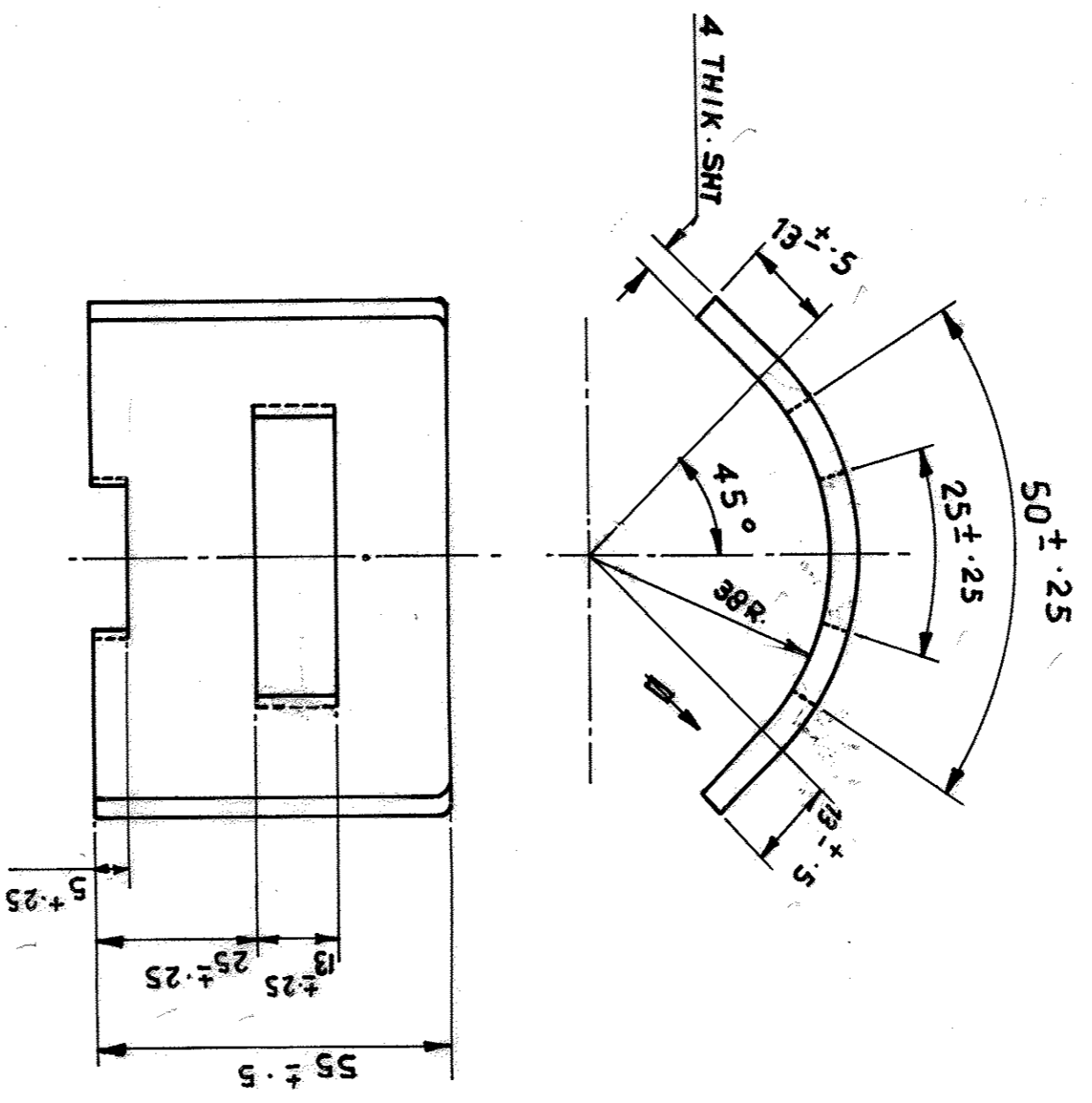
TRACED FROM ORIGINAL WITHOUT ANY CHANGE BY S.B.SARDAR DN. 12.6.97 AT D.F.D.C. Comp P.K.Roy 97.07.16

CORNER PLATE

7

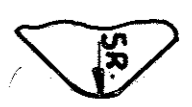
A-H.SP.	
D-S.CAT. NO	
PART NO.	
DET NO 2	SHTS
ARDE 1248	
DRG NO	
PROTECTIVE FINISH:- SEE DRGNO-ARM1253 D 18	
	
MATERIAL:- STEEL TO SPEC. B.S. 1449 EN 2 A.	
DATE:-	
APPROVED.	
GAGESCHD.	
EST MASS:	
SCALE:- 1:1	
CD	
DRN. S&I	CHD. S&I
TRD. S&I	COMP. S&I
ASSY.DRG.ARDE 2269 / 2	
DESIGN AUTHORITY	
ARDE PUNE 411021	

R NO	DATE	AUTHORITY	BRIEF RECORD	ZONE	SIGN	
					CD	GO
1	20/96		DRG RETRACED			S&I



IMP :- BASED ON ARM DRG. NO.1253A25
HEIGHT OF PLATE REDUCED FROM 671055

VIEW IN DIRECTION OF ARROW



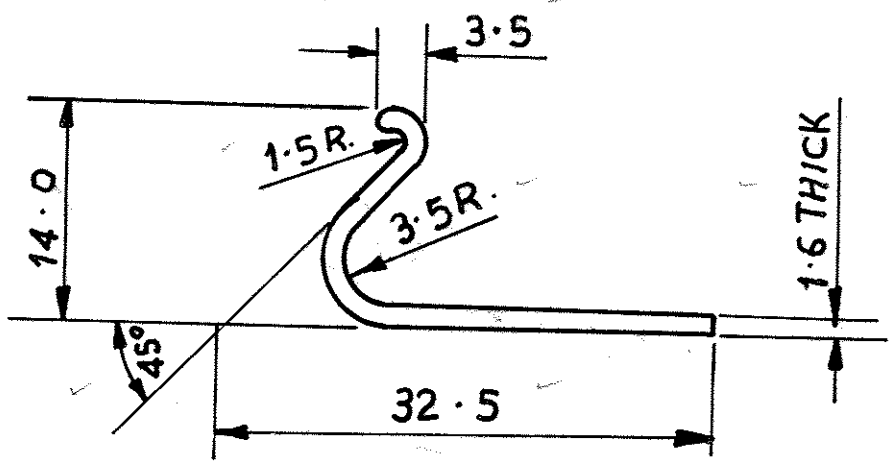
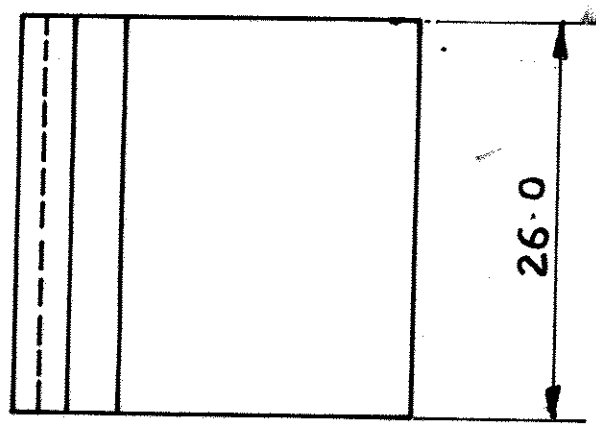
DRG No.	
ARDE 1248	
ON SHTS	SHTS
2	2

FOR EXPLANATION OF DIMENSIONING ETC. SEE ARDE NOTE SHEET NO.1
DIMNS ARE IN MM.

B	C	D	E	F	G	H	I	J	K	L	M	N	O	P	Q	R	S	T	U	V	W	X	Y	Z
---	---	---	---	---	---	---	---	---	---	---	---	---	---	---	---	---	---	---	---	---	---	---	---	---

TRACED FROM ORIGINAL WITHOUT ANY CHANGE BY S.B.SARDAR, DN-2-7-97, AT. D.F.D.C. COMP. P.K. Roy
 1/4, DO. Hyderabad

1	2	3	4
PART NO.		FOR EXPLANATION OF DIMENSIONING, ETC., SEE ARDE NOTE SHEET NO. 1	
DET No. 4 SHTS		DIMENSIONS ARE IN MILLIMETRES.	
ARDE 1248			
DRGNO.			

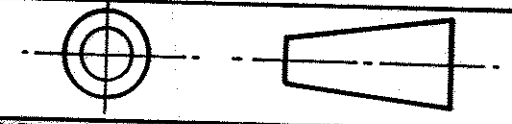


BASED ON SK. NO. ARM21/730 F.D.T.D & P (AIR) MINISTRY OF DEFENCE

1	20 II 96		RETRACED				
R ND	DATE	AUTHORITY	BRIEF RECORD	ZONE	SD/	SD/	
					CD	GO	SIGN.

DRG-SEALED (PROV)							
DRN. SD/	CHD. SD/	TRD. SD/	COMP. SD/	ASSY DRG ARDE 1248/1	SHT-1		
CD. SD/	PASSED. SD/	SCALE: 2:1		DESIGN AUTHORITY			
APPROVED				ARDE PUNE-411021			
				EST MASS:			
				GAUGE SCHED			
				DATE:			

MATL :- STEEL TO IS:1570 C-20, COLD ROLLED SHEET.



PROTECTIVE FINISH: -

TITLE:-

ALTERNATIVE CLIP

DRG. NO		
ARDE 1248		
DET. NO. 4	SHTS	SHT NO
PART NO.		
D.S. CAT. NO		
A.H.S.P		