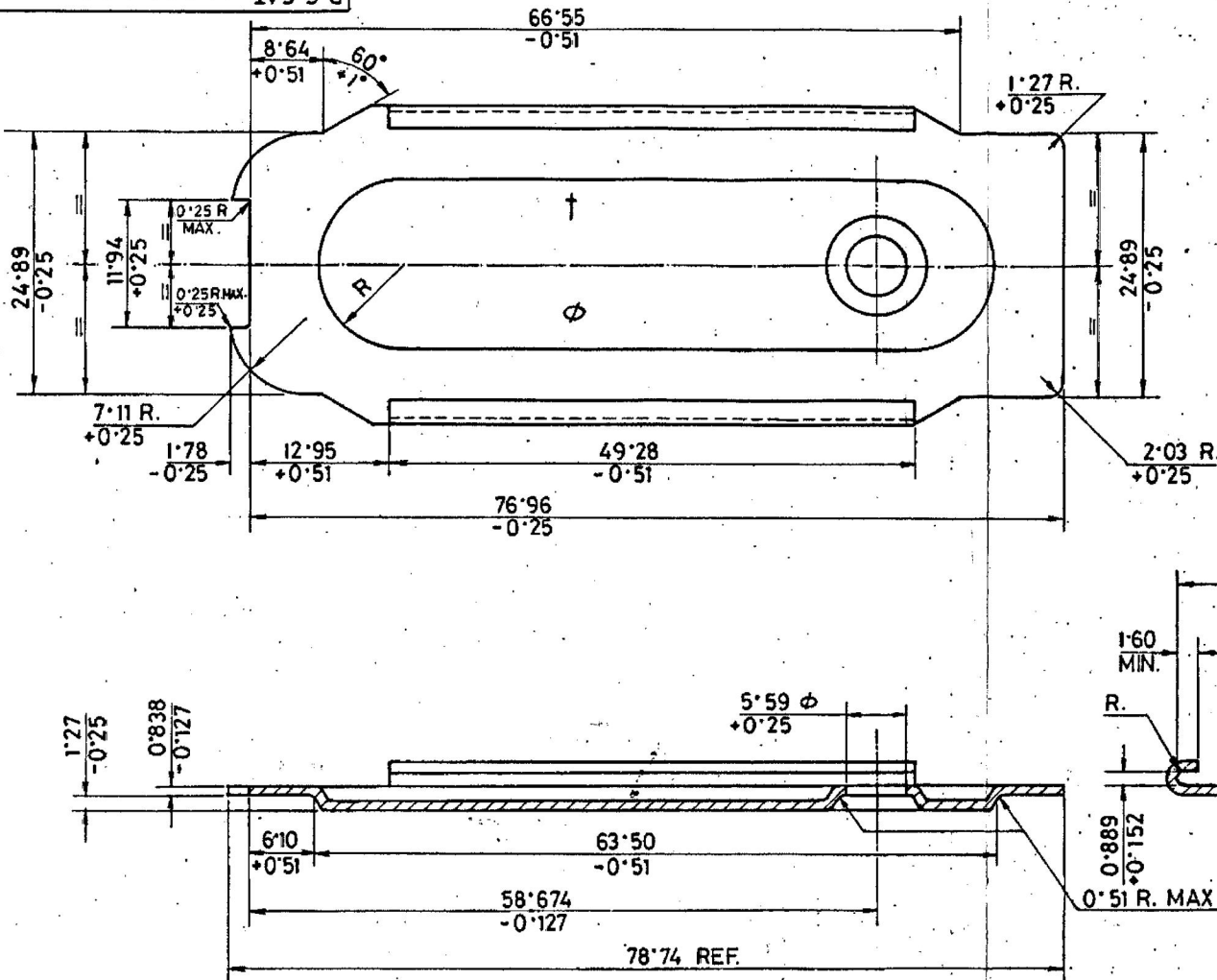


77E000-5001 D.S. CAT. 1005-000344

DIMNS. ARE IN mm.



NOTE :-
 WHERE TOLERANCES ARE NOT SHOWN DIMENSIONS WITH TWO DECIMAL PLACES ± 0.127
 FOR SPECN. LATEST ISSUE SHOULD BE FOLLOWED.
 MARK ON WHERE INDICATED IN 3 LETTER AND FIGURES :-
 φ MANUFACTURES CODE MARK AND YEAR OF MANUFACTURE.
 † D.S. CAT. No.

CERTIFIED CORRECT COPY OF APPROVED DRAWINGS AT THIS DATE.....
 08.12.2020
 Design & Drawing Office
 Ordnance Factory,
 Tiruchirappalli-620016

UN CONTROLLED COPY

CERTIFIED COPY OF THE STORE DRG/GAUGE DRG/Sch/ SPECN/NOTE SHT.
 DATE: 13.07.16. 1CD0

ICR 1509

11-05-16 26829-SA MATERIAL AMENDED		DRN. S.K.P		CHD. <i>M. Sambui</i>	TRD.	COMP	AHSP CQA(SA), ICH
30-8-2020 24817-SA MATERIAL AMENDED		SCALE :- 2:1		EST. MASS		ASSY.	
11-08-99 24460-SA PROFORMA CHANGED & REDUCED, ACTUAL SIZE VIEW DELETED, NEG. PREPARED AND DRG. RE-SEALED. PREVIOUS D.C. Nos. 14332-SA, 15172-SA, 17576-SA, 19129-SA, 22136-SA, 22182-SA, 22277-SA, 22971-SA & 23198-SA.		DT. 11-8-99		APPROVED DT. 19.6.67		NEG. PREPARED	
DATE AUTHY. BRIEF RECORD		MATERIAL		IS: 513:2008 DESIGNATION CR3		DGNR'S REF. CISA/4	
SEALED :- D.C. No. 14332-SA, DT. 27.6.75		H.T/HARDNESS		PHOSPHATE TO SPECN. JSS:0465-01:1988 CLASS II, PAINT R.F.U FINISHING AMMUNITION STOVING BLACK SPRAYING FOR SMALL ARMS TO SPECN. IND/ME/881(PROV)(NO PAINTING ON THE SIDE WHICH REMAINS IN SIOE THE MAGAZINE).		PART No.	
NOMENCLATURE		PLATE BOTTOM		PROTECTIVE FINISH		DRG. No.	
						D.S. CAT. 1005-0003	