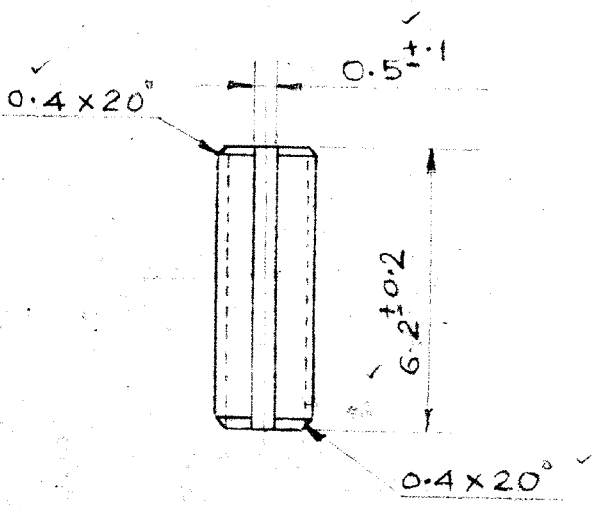
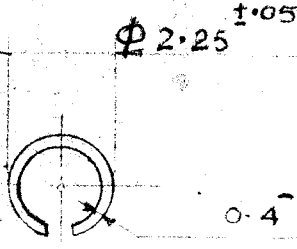


DRG. NO. F.S.-516 'A'

TO BE MARKED ON

THIS DOCUMENT IS THE PROPERTY OF THE GOVERNMENT OF INDIA, MINISTRY OF DEFENCE AND IS ISSUED FOR THE PURPOSE OF MANUFACTURING STORES REQUIRED FOR DEFENCE USE. IT MUST NOT BE REPRODUCED/ DISCLOSED TO ANY THIRD PARTY OR USED FOR ANY CIVIL PURPOSE.

AMENDMENTS			
REV.	DATE	DESCRIPTION	SIGN.
A		DRG. UP TO DATE AS PER LATEST RETRACED DRG. DT. 11.6.99	A.A.I.W. O.P.A.J.



NOTE

OIL HARDENED AND TEMPERED. HARDNESS - 560[±] 20 V.P.N.
 MATERIAL - STEEL, B.S. 1449 EN 42E OR EN 42F.
 PROTECTIVE FINISH - PHOSPHATED TO SPEC. DEF 29 CLASS II.
 DETAIL NO. - 17. ARDE 1135.

DIMENSIONS ARE IN mm		MATERIAL - AS ABOVE		ORDNANCE FACTORY	
THIRD ANGLE PROJECTION		NOMENCLATURE		AMBATHARI	
SCALE - 6:1		ROLL PIN		DRAWING NO.	
1977	NAME			F.S.-516 'A'	
DRAWN	DATE	SHEET NO. - 1		NO. OF SHEETS - 1	
TRACED	1-4	OPERATION NO.		COMPL. - M.R.-17.	
CHECKED	7.4.77	SCHEDULE NO.			
F.A.O.		STORE - ARS 8 MM			
A.S.W.					