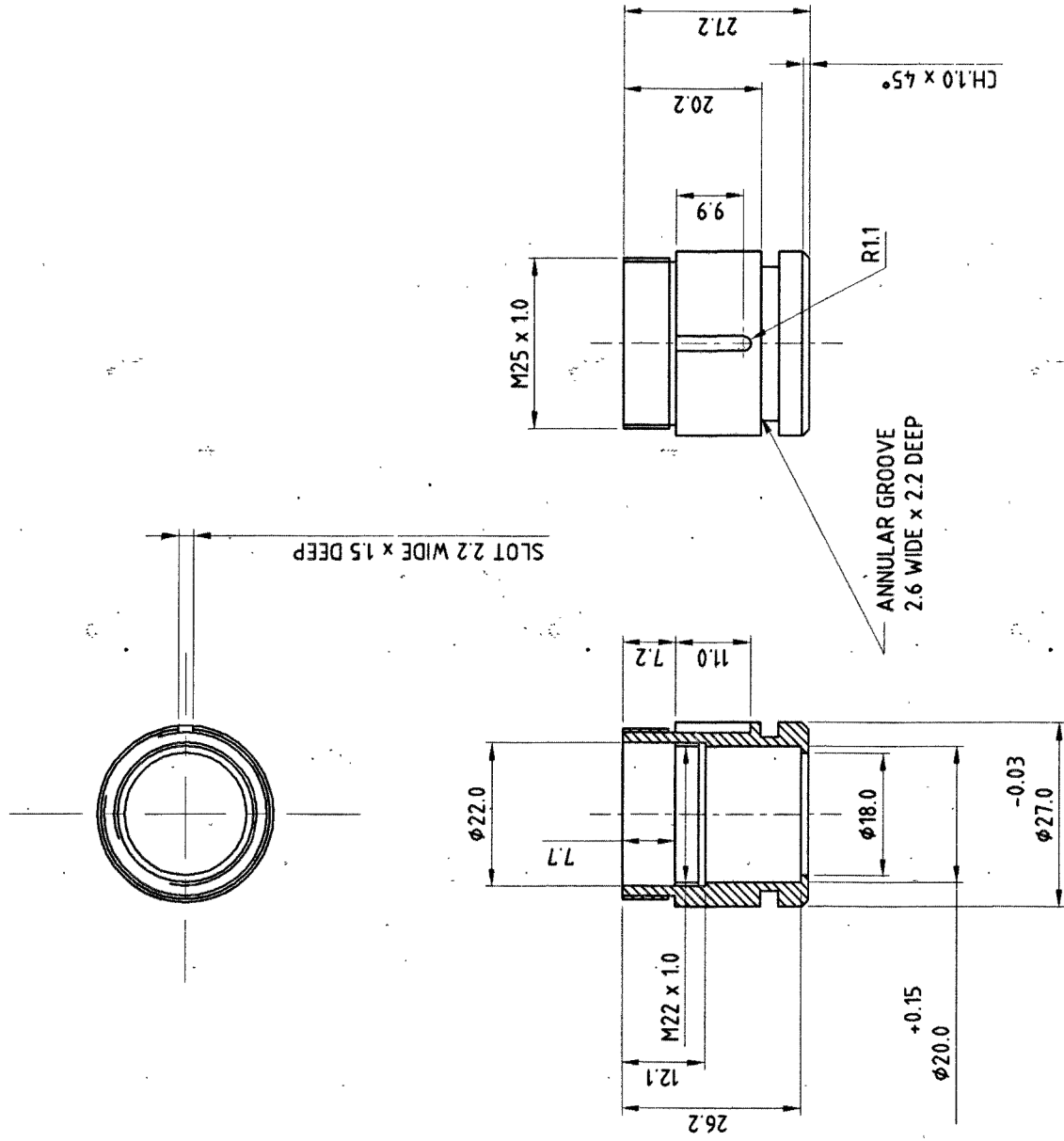


MODIFIED PASSIVE NIGHT SIGHT FOR 12.7 A.D. GUN

ORDNANCE FACTORY, DEHRADUN.

CELL E.P.



MATL. & SPECN. :- AL. ALLOY ROD 24345-WP IS: 733-1983

FINISH:- ANODISED DULL BLACK AC15 IS:1868-1982

DIMENSIONS ARE IN M/M.
 IMPORTANT DIMENSIONS MARKED THUS ●
 INFORMATION MARKED THUS † TO BE MARKED ON

DT. 25-01-13		SCALE - 1:1
MATL.	TREAT.	
AS ABOVE	AS ABOVE	
SHEETS-1	SHTS.-1	
DR. - P.C.SINGH		
TR. -		
CH.		
APPROVED.		
DA NO 02/13 DT 24/02/13 AMENDMENTS.		WM/P&P
0FD/DO/002		
DRAWING NO.		
CWC/229/35/1		

JW/400.
 APPROVED.
 WM/P&P