

REDUCED AT COA(W) JABALPUR
 PREPARED BY *Prasanna* CHECKED BY *KM* DATE 3-6-94

NOTE :-
 WELDING AS PER SPEC. IS: 814 (PART 1) 1974, ELECTRODE E 307412 AS PER SPEC. IS: 815-1974

PROTECTIVE FINISH:-
 PHOSPHATED AS PER SPEC JSS: 0465-01:1994, CLASS II, FINISH (j)

DATE	AUTHORITY	ZONE	AMENDMENTS	SIG AHSP	SIG DO
6-2-17	19572-W	ZONE F/5-72	NOMEN AMENDED. ASSY DRG & PROT FINISH ADDED.		
06-01-06	18940-W		NOMEN & D S CAT NO AMENDED		
22-10-03	18812-W		HINDI NOMENCLATURE ADDED		
6.10.93	17741-W		A1 SIZE DRG. REDUCED TO 'A3' PREV. DC (I) Nos. 12113-W, 15055-W & 17160-W/DT-17.5.93		

CHIEF DESIGNER <i>Prasanna</i>	ASSY DRG. 1015-001480	CQA(W) JABALPUR
DO	ESTD MASS	DESIGN No. CIA/WPN/1576
AHSP <i>Prasanna</i> FOR CQA(W)	DATE	PART No. 2 SHTS AMG 71439 SHT 2
DRG. SEALED FOR OV. 12113-W 9.9.68 DO CQA(W)	SCALE NTS DRN CHD	D S CAT No. 2 SHTS 2590-001789 SHT 2
LEG SEMI-TRAILER RETRACTABLE SUPPORT		
81mm LIGHT MORTAR		
लेग सेमी-ट्रेलर रिट्रेक्टेबल सपोर्ट 81 एमएम लाइट मोर्टर		

HOTCHKISS BRANDT
 52 CHAMPS ELYSEES
 PARIS 8^e

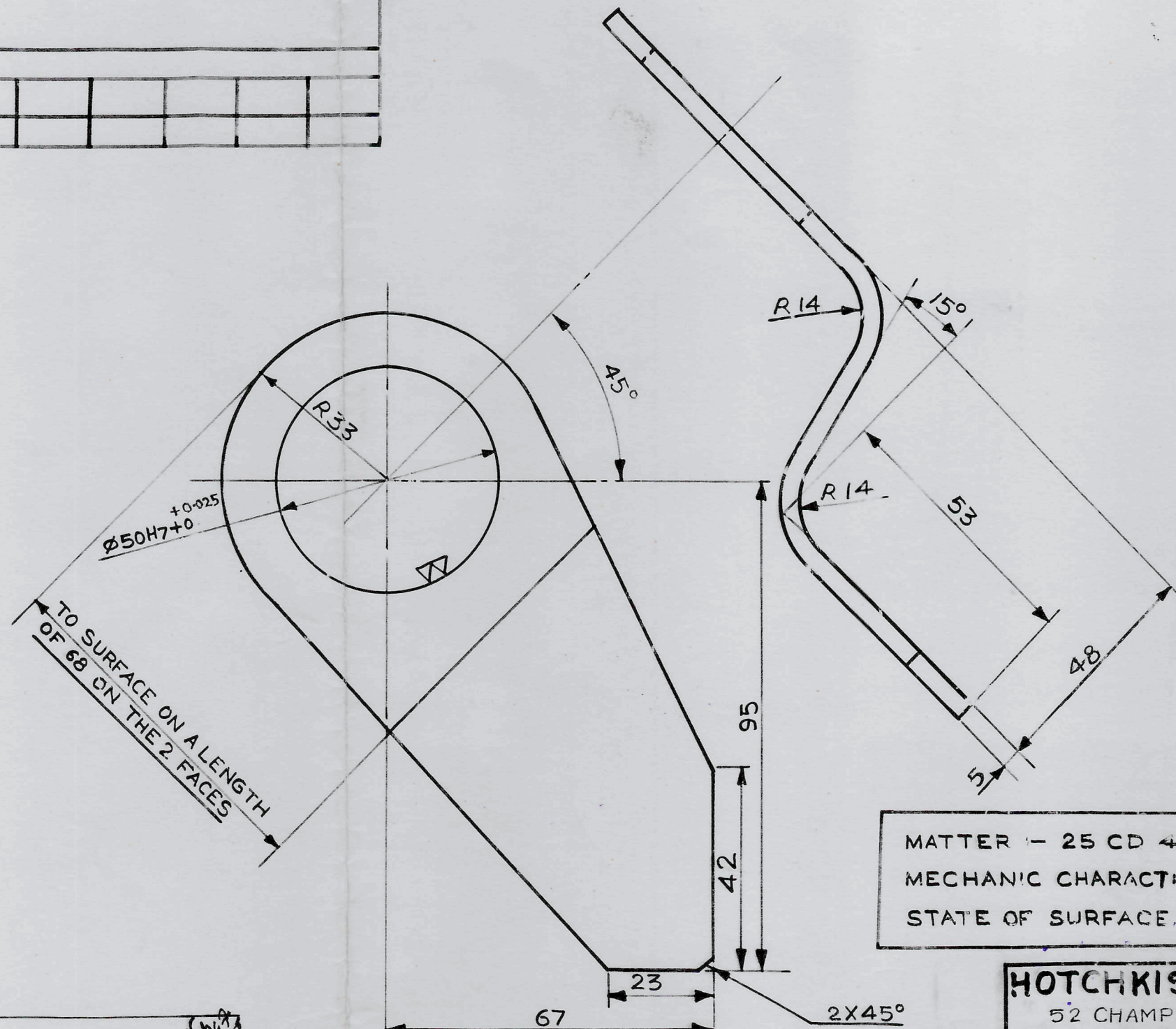
DSCAT No.

AMG 62791

ALTERNATIVE MATL:
STA-60 SUPPLIED IN SOFTENED
CONDITION WITH TEST CONDITION
BOTH IN SOFTENED AND 'C'
CONDITION.

NOTE:-

1- LENGTH EXPANDED. 185 ~



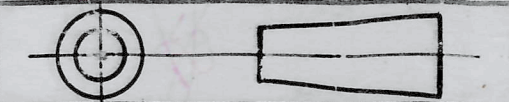
MATTER - 25 CD 45
 MECHANIC CHARACTER 90-100kg/cm²
 STATE OF SURFACE. ~

22-10-03	18812-W	HINDI NOMEN ADDED	
7.3.89	16740-W	ALTERNATIVE MATL ADDED.	
5-11-88		RETRACED WITHOUT CHANGE	
		PREV DCS (I) 9536-W, 10495-W, 11443-W & 14165-W DT 2-8-73	
DATE	AUTHORITY	ZONE	NATURE

DRAWN:-	CHD:-	ASSY DRG:- 71439
TRACED:- L.S.	CHD:-	DATE:- 20-12-63
C/D'MAN	DO	SCALE:- 1:1
		ESTD MASS:-

HOTCHKISS BRANDT
 52 CHAMPS, ELYSEES
 PARIS 8^e

CQA(W) JABAL PUR



AMENDMENTS
 DRG SEALED:- DC (I) No. 11443 W
 DT. 22-2-67

MATL:- BS/S-535
 PROTECTIVE FINISH:-

DESIGN No.

PART No.

AMG 62791

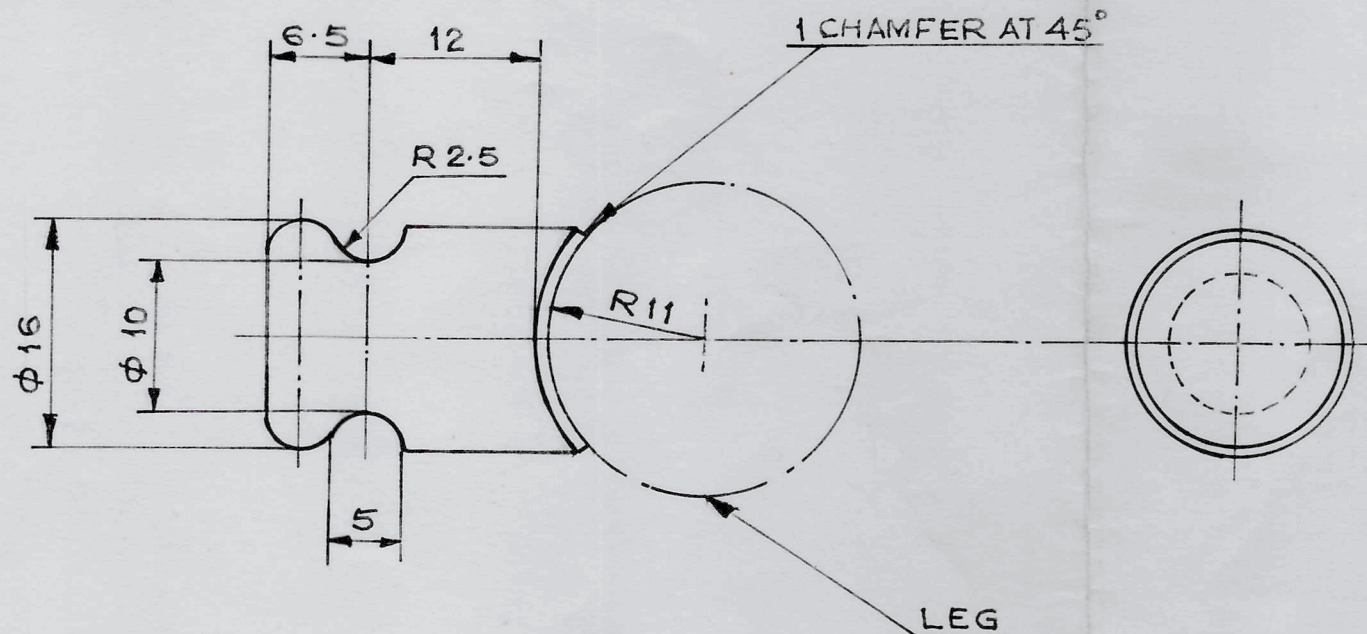
DSCAT No.

RIGHT FLANGE, RIGHT LEG

81mm LIGHT MORTAR राइट फ्लेन्ज

D.S. CAT No.
1015-000108

FOR EXPLANATION OF DIMENSIONING ETC, SEE
ARDE NOTE SHEET No.1
DIMENSIONS ARE IN mm.

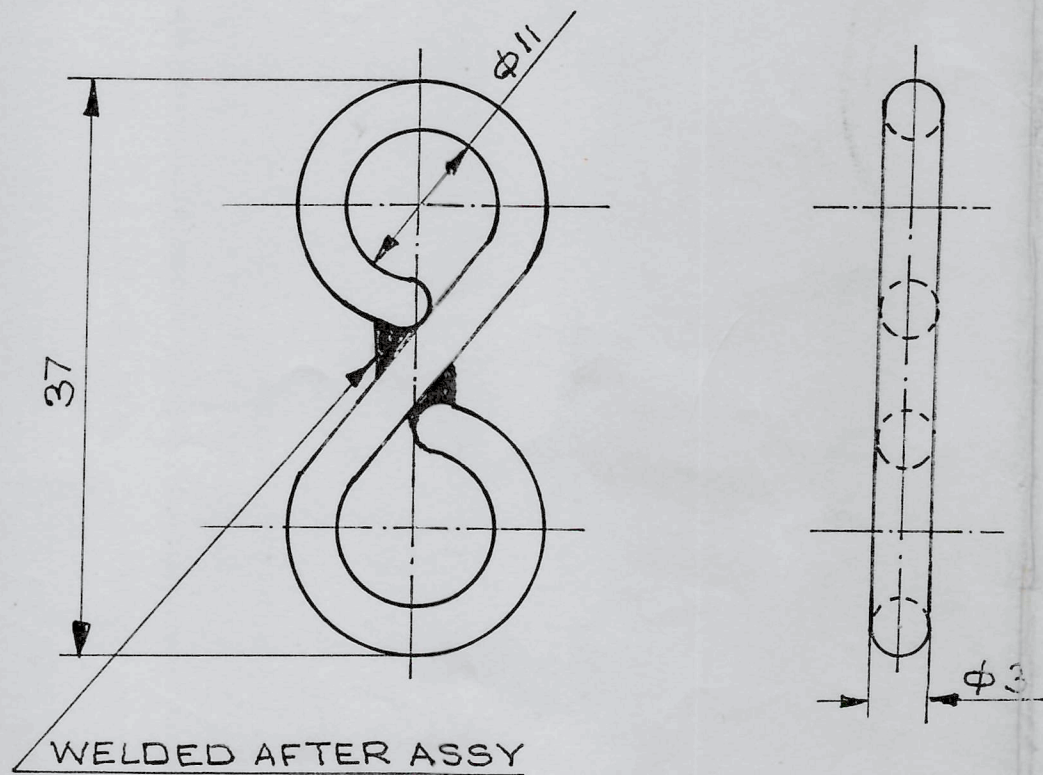


BASED ON IAG SK 382

22-10-03	19812-W		HINDI NOMEN. ADDED.		DRN:-	CHD:-	ASSY DRG: AMG 71439 SHT 2 & AMG 72800 SHT 2	CQA(W) JABALPUR	
17-3-2001			RE TRACED WITHOUT CHANGE.		TCD:- <i>R. Sharma</i>	CHD:- <i>G.P. Shukla</i>	DATE:-		
			PREV. DC(I) Nos. 12113-W, 13957-W, 15443-W, 17187-W & 17192-W/11-1-92.		<i>[Signature]</i>	AHSP	SCALE:- 2:1		
DATE	AUTHORITY	ZONE	NATURE	SIG AHSP	SIG DO	C/D MAN	DO FOR CQA(W)		ESTD mass:-
AMENDMENTS				MATERIAL:- STEEL BS 970 PART 1, 1983 GDE 070 M 20				DESIGN. No.	
DRG. SEALED:- DC(I) No. 12113-W (PROV) DATE:- 9-9-68				DO CQA(W)				PROTECTIVE FINISH:- TO SPEC JSS:0465-01:1988 CLASS II & PAINTED WITH SERVICE COLOUR	
<p style="text-align: center;"><u>रस</u> <u>STUD</u></p>								PART No.	
								IMR 464	
								DS CAT No.	
								1015-000108	

D.S. CAT No.
1015-000109

FOR EXPLANATION OF DIMENSIONING ETC., SEE
ARDE NOTE SHEET No.1.
DIMENSIONS ARE IN mm.



NOTE:-

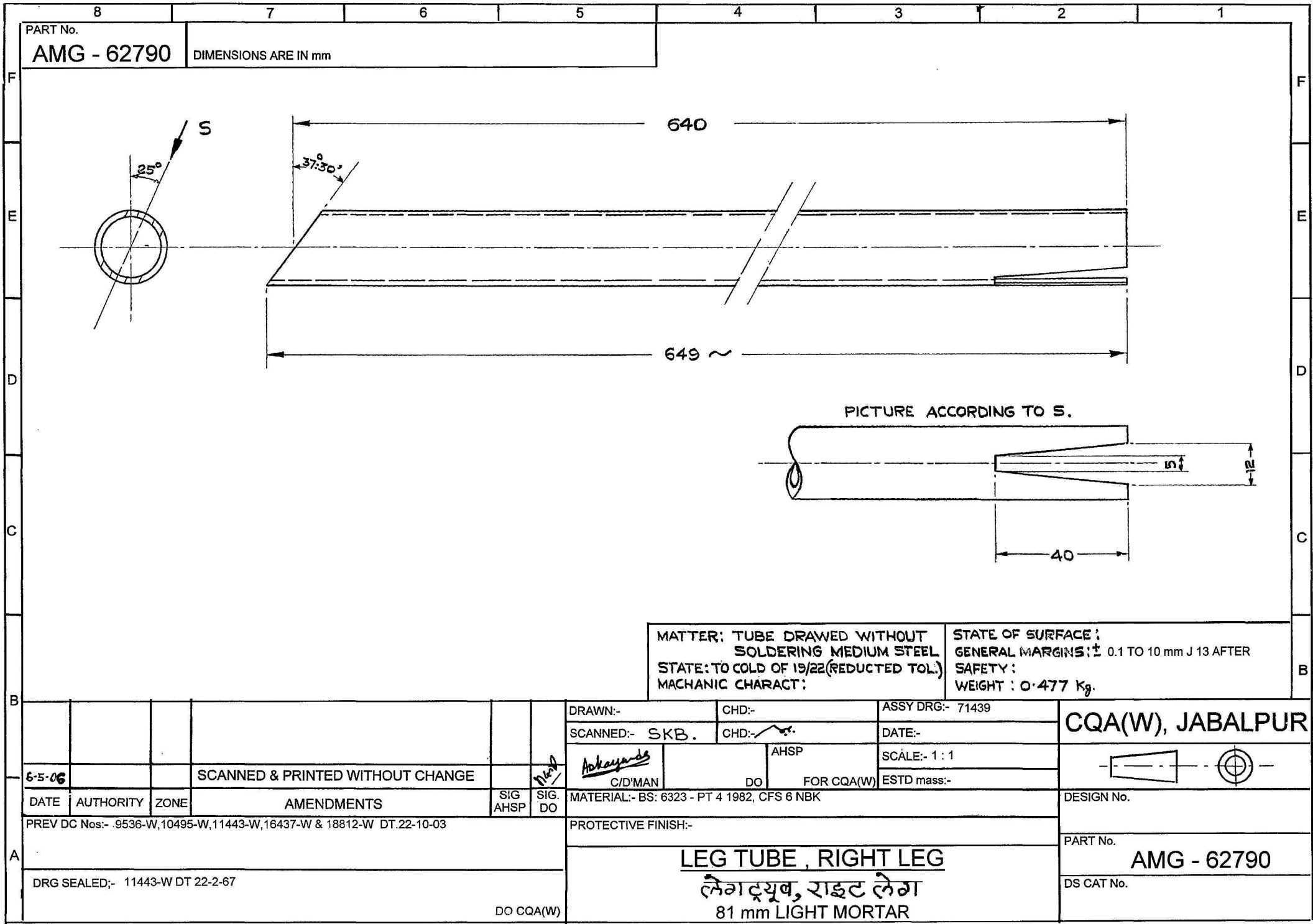
WELDING AS PER SPEC IS: 814 (PART-I)
1974, ELECTRODE E 307412 AS PER
SPEC IS: 815-1974

BASED ON IAG SK 382

22-10-03	18812-W	HINDI NOMEN. ADDED.		DRN:-	CHD:-	ASSY.DRG:- AMG.71439 SHT.2 & AMG.72800 SHT.2	CQA(W) JABALPUR	
16-3-2001		RE TRACED WITHOUT CHANGE		TCD:- <i>P.B. Sharma</i>	CHD:- <i>G.P. Shukla</i>	DATE:-		
		PREV. DC(I) Nos. 12113-W, 13957-W, 15443-W, 17187-W, 17192-W, & 17610-W/17-5-93		<i>[Signature]</i>	AHSP	SCALE:- 2:1		
DATE	AUTHORITY	ZONE	NATURE	SIG AHSP	SIG DO	C/D MAN		DO FORCQA(W)
AMENDMENTS				MATERIAL:- STEEL BS 970 PART I, 1983 GDE 070 M 20			DESIGN No.	
DRG. SEALED PROV. - DC(I) No 12113-W DATE- 9-9-68				DO CQA(W)			PROTECTIVE FINISH:- JSS:0465-01:1988, CLASS II & PAINTED WITH SERVICE COLOUR	CIA/WPN/1484
							PART No.	
							IMR 465	

रस्स हुक 'S' HOOK

D.S. CAT No.
1015-000109



MATTER: TUBE DRAWN WITHOUT
SOLDERING MEDIUM STEEL
STATE: TO COLD OF 19/22 (REDUCTED TOL.)
MACHANIC CHARACT:

STATE OF SURFACE :
GENERAL MARGINS: ± 0.1 TO 10 mm J 13 AFTER
SAFETY :
WEIGHT : 0.477 Kg.

DRAWN:-	CHD:-	ASSY DRG:- 71439
SCANNED:- SKB.	CHD:-	DATE:-
<i>Ankayada</i>	AHSP	SCALE:- 1 : 1
C/D'MAN	DO	FOR CQA(W)
MATERIAL:- BS: 6323 - PT 4 1982, CFS 6 NBK		ESTD mass:-

CQA(W), JABALPUR

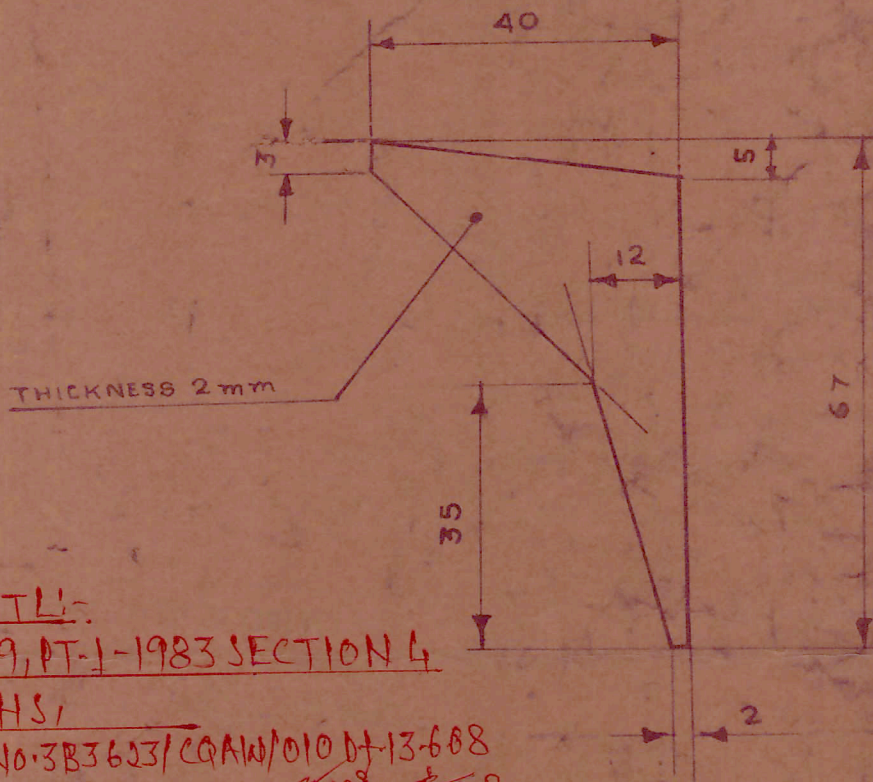


PROTECTIVE FINISH:-

LEG TUBE , RIGHT LEG
लेगाट्यूब, राइट लेगा
81 mm LIGHT MORTAR

DESIGN No.
PART No. **AMG - 62790**
DS CAT No.

DATE	AUTHORITY	ZONE	AMENDMENTS	SIG AHSP	SIG. DO
6-5-06			SCANNED & PRINTED WITHOUT CHANGE		<i>Med</i>
PREV DC Nos:- .9536-W,10495-W,11443-W,16437-W & 18812-W DT.22-10-03					
DRG SEALED;- 11443-W DT 22-2-67					
DO CQA(W)					



ALT. MATL:-

BS: 1449, PT-1-1983 SECTION 4

Grp. 22 HS1

AS PER L.NO. 3B3623/COAW/010 DT-13-6-08

MATL BS 1449 E*20.

*
BS: 1449-
Pt-1-83
Sec 3, HR
43/25.

08/07/08
5-7-08

C.I.(W.) J ABALPUR

TRACED CHECKED DATE

S.K. VYAS 4-4-72

MATTER :- SHEEL MEDIUM STEEL
STATE :-
MECHANIC CHARACT. :-

STATE OF SURFACE :-
GENERAL MARGINS :-
SAFETY :-
WEIGHT :-

3/12 RETRACED WITHOUT CHANGE 550

PREV. DC^S(S) :- 8536-W, 10495-W,
11443-W.

DRAWN BY :-
CHECKED BY :-
APPROVED BY :-

DATE:
CHECKED B
DATE:
CHECKED B
DATE:
CHECKED B
DATE:
DATE:
DATE:

SCALE :- 1/1 | WHOLE: 72799 | STUDY :-

HOTCHKISS BRANDT

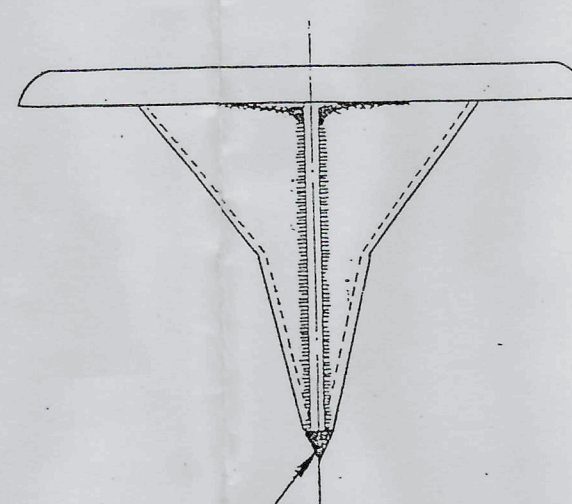
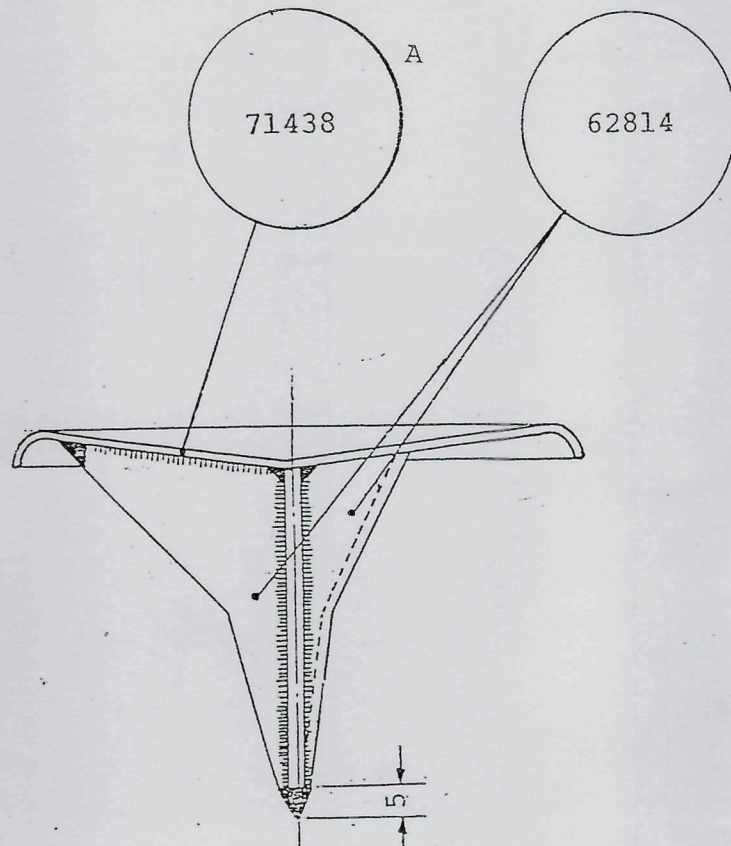
52 CHAMPS - ELYSEES
PARIS 8^e

A

DESIGNATION
SHOE PLATE'S
LEFT LEG
81 mm LIGHT MORTAR

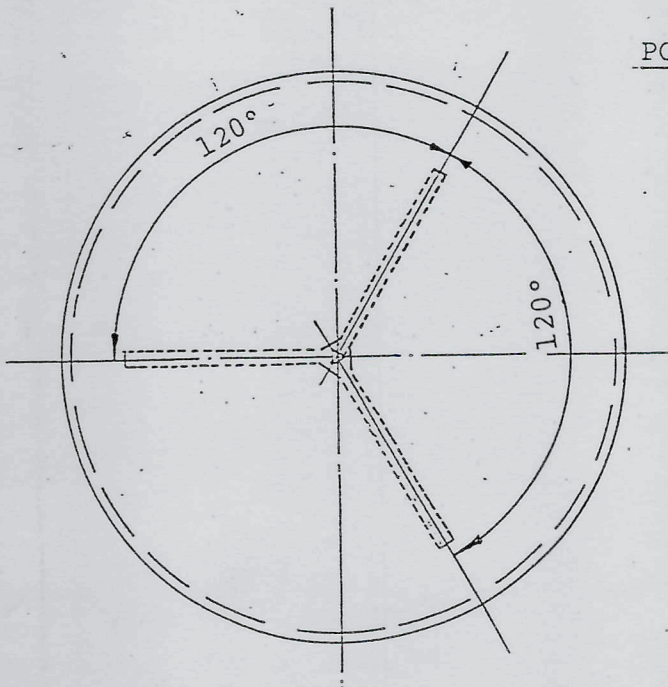
AMG N° 62814

PART No
AMG No. 71437



POINT OBTAINED BY WELDING

NOTE:-
WELDING AS PER SPEC IS:814 (PART-II)
1974, ELECTRODE E 307 AS PER SPEC -
IS:815-1974



WHOLE 72799

HOTCHKISS BRANDT
52 CHAMPS ELYSEES
PARIS 8^e

REDUCED AT CQA(W) JABALPUR
PREPARED BY NSC CHECKED BY NSC DATE 13-7-94

DATE	AUTHORITY	ZONE	NATURE	SIG AHSP	SIG DO
6.10.93	17741-W		A2 SIZE DRG REDUCED TO A-3		
			PREV DC(I) Nos. 9536, 10597-W 11443-W & 17610-W/DT. 17.5.93		
AMENDMENTS					

CHIEF D ^R MAN <i>[Signature]</i>	ASSY DRG.	CQA(W) JABALPUR
AHSP <i>[Signature]</i> FOR CQA(W)	DO ESTD MASS	DESIGN No.
DRG. SEALED 11443-W 22.2.67 DO CQA(W)	DATE	PART No. AMG No. 71437
	SCALE NTS	D S CAT No.
	DRN	
	CHD	
SHOE ASSEMBLY LEFT LEG 81 mm LIGHT MORTAR		

4

3

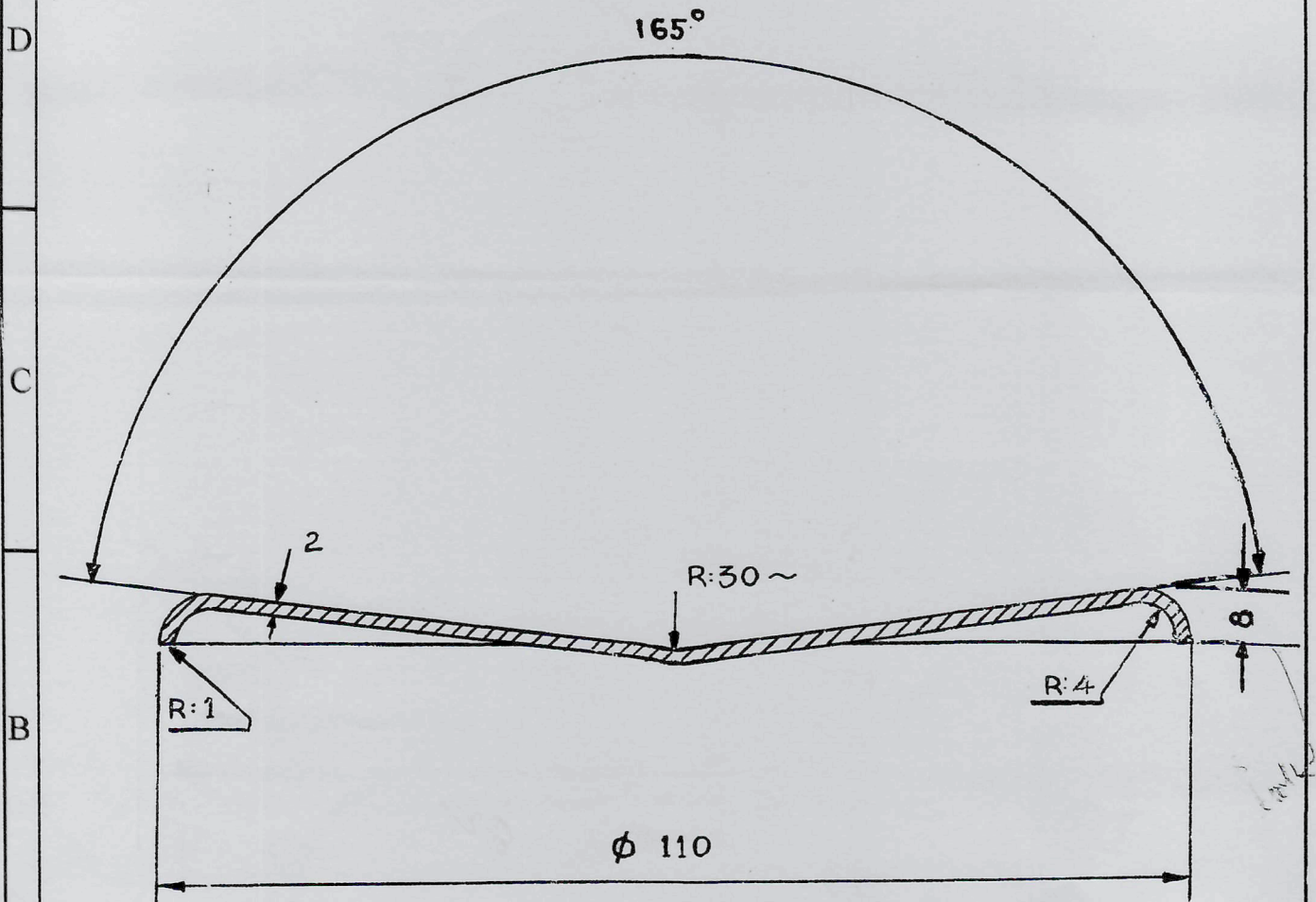
2

1

PART No

AMG 71438

DIMENSIONS ARE IN mm



MATTER :- MEDIUM STEEL SHEET

CQA(W) JABALPUR

DRN

CHD

SCANNED PKA

CHD & dr. Kumar 4/2

APPROVED

AHSP

15-5-06

SCANNED & PRINTED
WITHOUT CHANGE

Handwritten signature

DO

FOR CQAW

DATE

AUTH

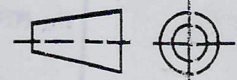
ZONE

AMENDMENTS

SIG
AHSPSIG
DO

ASSY DRG.

72799



PREV DC Nos: 9536-W, 10071-W, 10495-W & 11443-W DT 22-2-67

DRG SEALED :- 11443-W DT 22-2-67

FOR CQA(W)

DESIGN No.

SCALE :- 1 : 1

ESTD MASS

DATE :-

PART No.

AMG 71438

MATERIAL :- BS : 1449 En 2 C

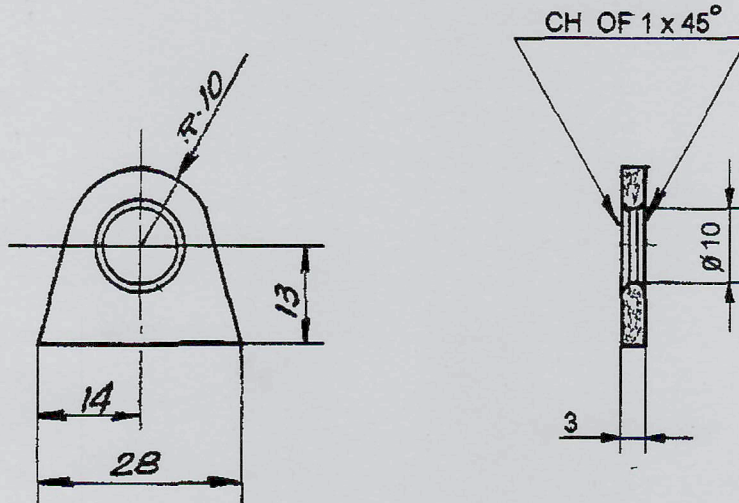
DS CAT No.

SHOE CONE'S, LEFT LEG
81 mm LIGHT MORTAR

PART No.

AMG 71899

DIMENSIONS ARE IN mm



MATERIAL - BS: 1449, PART-1: 1983 GRADE 22 CONDITION
HS SECTION 4.

GENERAL MARGINS - + 0.1 TILL 10 mm - J 13 AFTER
 STATE OF SURFACE - \sim
 MATTER - MEDIUM STEEL SHEET

						CQA(W) JABALPUR	
						DRN	CHD
						SCANNED :- SKB.	CHD <i>Salish Kumar</i>
26-9-15	19450-W	MATL. AMENDED				APPROVED	AHSP
15-5-06		SCANNED & PRINTED WITHOUT CHANGE				DO	FOR CQAW
DATE	AUTH	ZONE	AMENDMENTS	SIG AHSP	SIG DO	ASSY DRG.	
PREV DC Nos- 9536-W, 10495-W & 11443-W Dt. 22-02-67						72799	
DRG SEALED - 11443-W Dt. 22-02-67						DESIGN No.	
FOR CQA(W)						PART No	
SCALE :- 1.1		ESTD MASS		DATE .-		AMG 71899	
MATERIAL - AS ABOVE						DS CAT No	
CHAIN EYE'S, LEFT LEG							
81 mm LIGHT MORTAR							