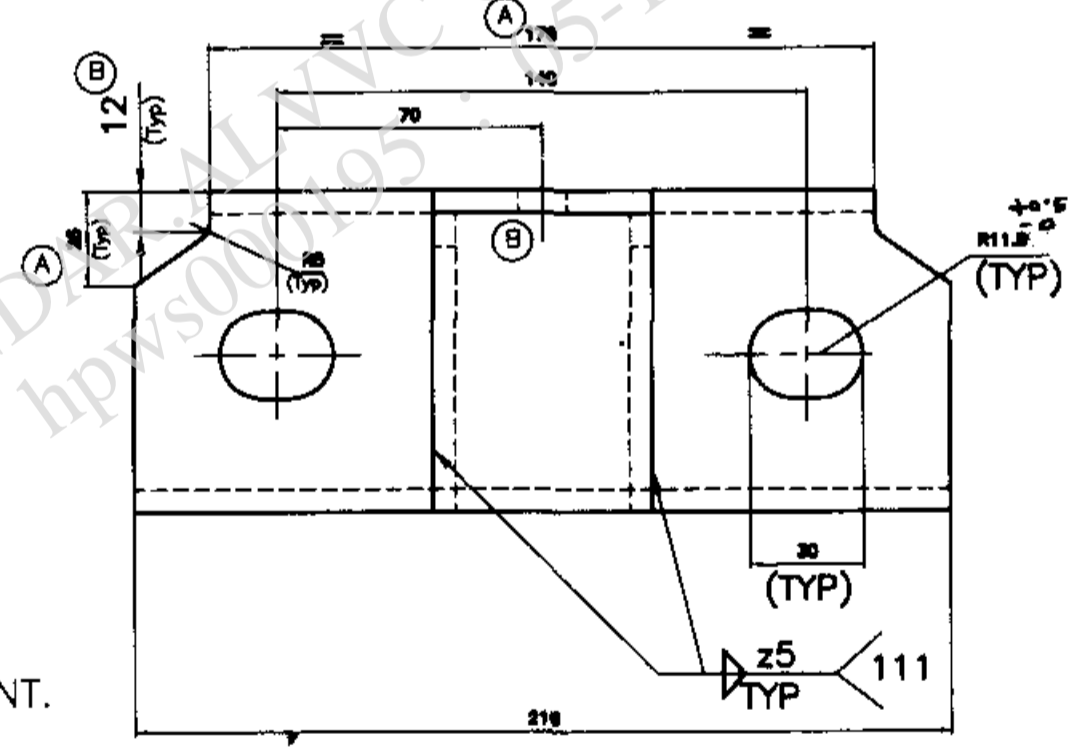
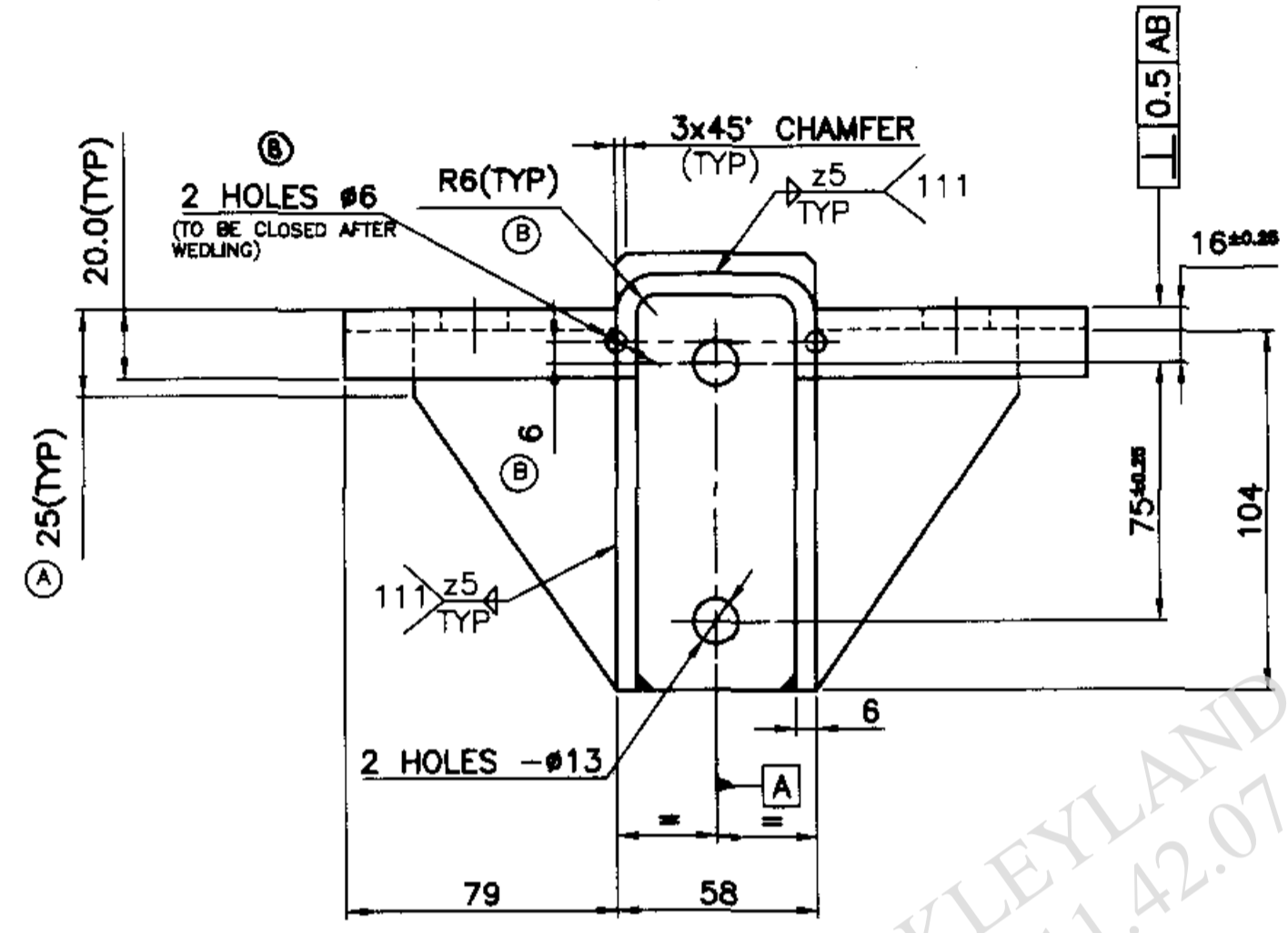
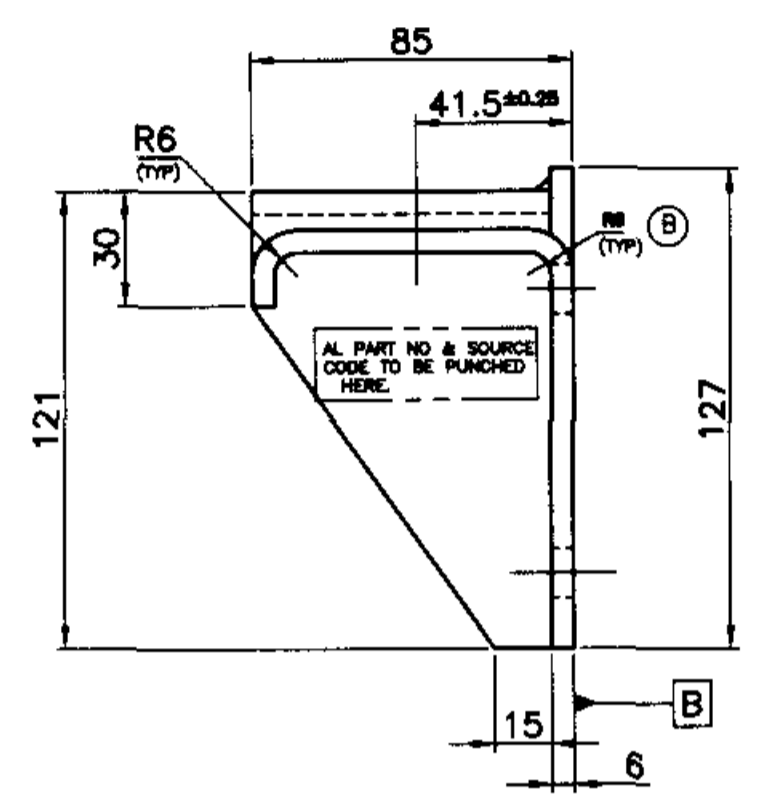


This design is strictly private and confidential. It is the exclusive property of Ashok Leyland Ltd. and must not be used, copied or reproduced in part or whole without the company's written permission.

FIRST ANGLE PROJECTION

SURFACE FINISH AS PER IS:3073. ( CIA VALUE )

MICRO INCHES	MICROMETRES
BELOW 8	BELOW 0,2
8 - 16	0,2 - 0,4
16 - 32	0,4 - 0,8
32 - 64	0,8 - 1,6
64 - 125	1,6 - 3,2
125 - 250	3,2 - 6,4



1. WELDING SYMBOLS TO IS:813
2. USE WELDING ELECTRODE TO SPEC AWIS E6013 OR EQUIVALENT.
3. TO BE PAINTED WITH OLIVE GREEN PAINT  
PAINT SPEC = SEAMIC 314 TO SPEC IND/SL/3236

**VFJ**

ALTERATIONS	E.D.M. DATE	GRADE	SUFFIX	MICRO FILMED
CUTOUT DIMENSION 25 & 176 IN PLAN VIEW ADDED. DIM. 25 ADDED IN FRT. VIEW	-	-	A	-
DIMENSION R6 & R12(TYP) ADDED. 2 HOLES Ø6 WAS Ø3. PLAN VIEW CORRECTED FOR LINE TYPE AT GUSSET DIMENSION 6 ADDED.	2 3 00	-	B	-

STAGE	CHECKED	DATE	APPROVED	DATE	ALTERATION LEVEL
I	CV	8.1.2K	CV	8.1.2K	A
II					B
III					B

MATERIAL: IS 2062 Gr Fe 410 WB

HEAT TREATMENT:

SL. NO.	PART NUMBER	DESCRIPTION	MATERIAL	QTY
<b>BILL OF MATERIALS</b>				
REF PART NO.	X0426910	ISSUED UNDER	MICROFILMED	
SUPERSEDES		EDM / DATE	BY	
S/A PART NO.	A6594500	94240	4.3.2K	DATE
WEIGHT		SUPPLIER'S DRAWING APPROVAL REQUIRED	NO	
SCALE	1 : 2	APPROVAL NUMBER		
SPEC. NO.	HAB525	TESTING STD.		

REMARKS: FOR STALLION 4x4

DESCRIPTION: BODY MTG BRACKET-FRT.

PART NO. X 7 1 2 5 4 1 0 B

SHEET NO. 1 OF 1

UNLESS OTHERWISE SPECIFIED

SPECIAL INSTRUCTION / NOTE :

SURFACE PROTECTION: FABRICATED COMPONENTS TO BE PHOSPHATED TO CLASS 'C' AS PER IS:3618 AND APPLIED IMMEDIATELY WITH ZINC PHOSPHATE GREY PRIMER TO ALPS04. MACHINED SURFACES TO BE APPLIED WITH RUST PREVENTIVE OIL TO IS:1154.

MACHINING TOLERANCES FOR OPEN DIMENSIONS WILL BE AS PER IS:2102

OVER	8	30	120	315	1000	2000	> 4000
±0.1	±0.2	±0.3	±0.5	±0.8	±1.2	±2	±3

SHARP EDGES ARE TO BE REMOVED. ✓

ANGULAR TOLERANCE AS PER IS:2102 ✓

METRIC SCREW THREADS SHALL CONFORM TO THE LIMITS AND TOLERANCES SPECIFIED IN THE CURRENT IS:4218. CLASS 4g EXTERNAL OR 5H INTERNAL

DO NOT SCALE DRAWING ✓

ALL DIMENSIONS ARE IN MM ✓