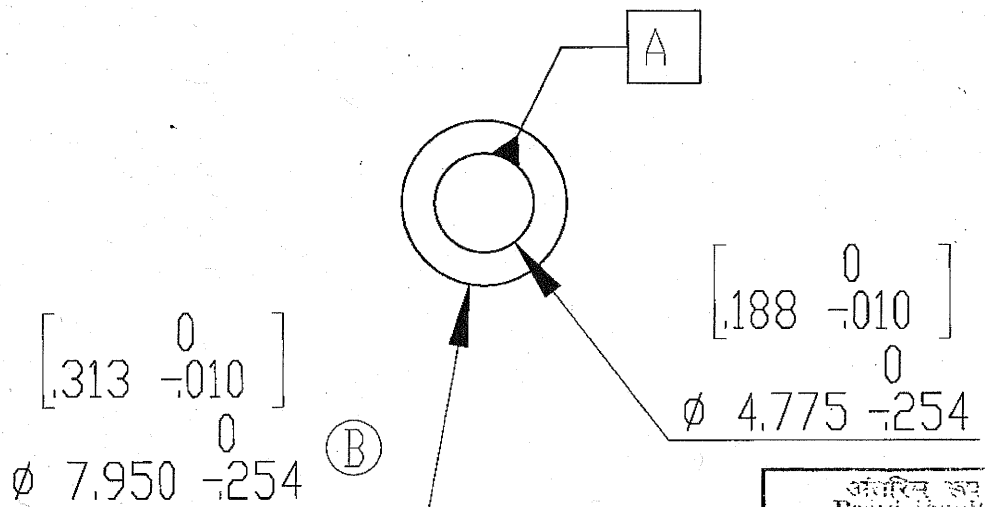
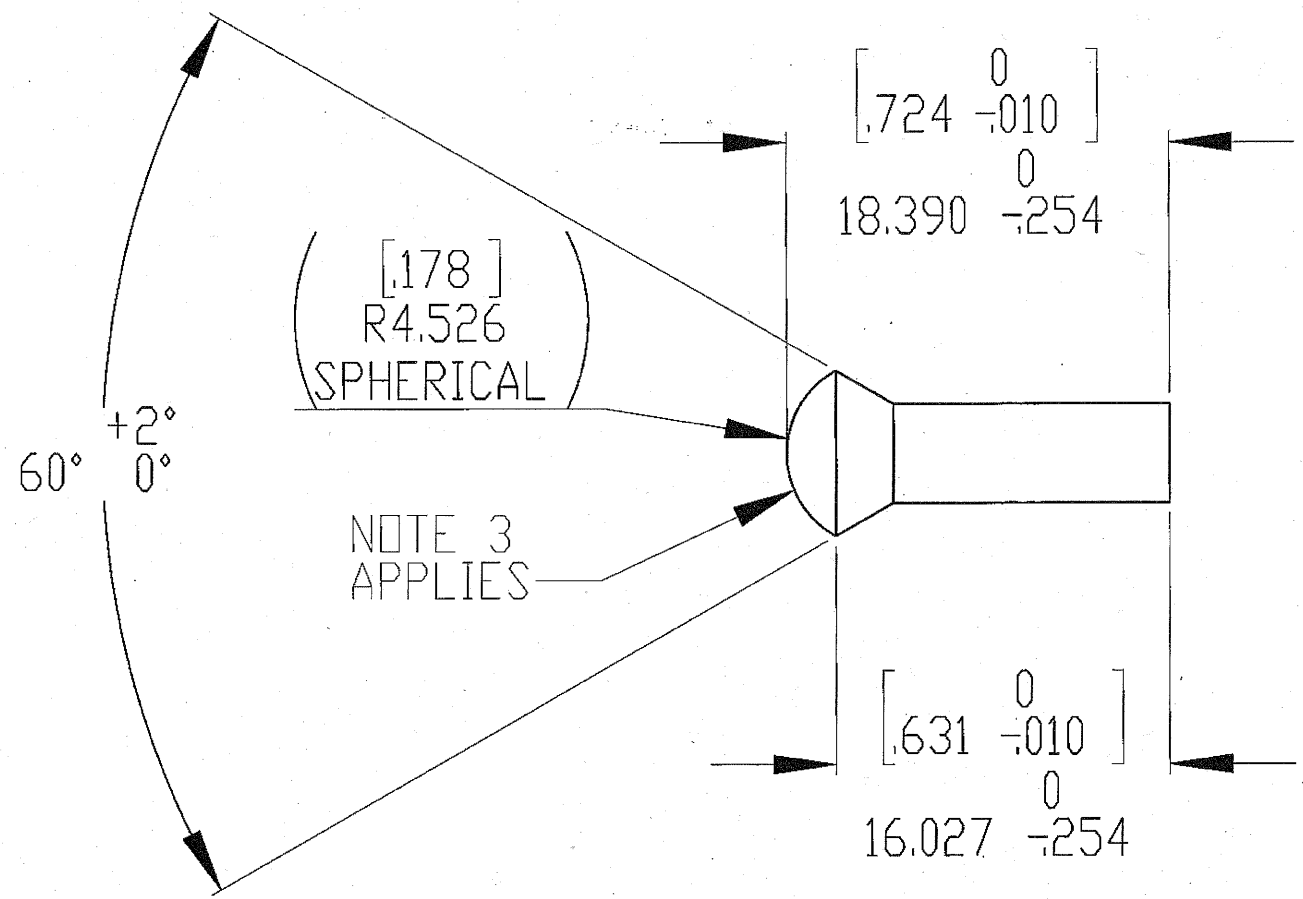


NOTES :

1. FINISH $\sqrt{32}$ ALL OVER.
2. BREAK EDGES 0.076 +0.305/-0.000 UNLESS OTHERWISE SPECIFIED.
3. FLAT ON CROWNED HEAD WITHIN TOLERANCE PERMISSIBLE.
4. ASME Y14.5M-1994 APPLIES.

REVISIONS

ZONE	REV.	DESCRIPTION	DATE	APPROVED
	A	CREATE DRAWING	2/16/2017	G. HERSHBERGER
A2	B	CORRECTED DIMENSION	3/3/2017	G. HERSHBERGER



© 0.254 A M

UN CONTROLLED COPY
 CERTIFIED CORRECT COPY OF APPROVED
 DRAWINGS AT THIS DATE. 20.09.2021
 DESIGN & DRAWING OFFICE,
 ORDNANCE FACTORY, TIRUCHIRAPPALI-620 016.

अंतरिम रूप से प्रमाणित
 Provisionally Approved
 24 AUG 2021
 डिजाइनर/Sign
 Per (Inde AM)

<p>ITAR CONTROLLED</p> <p>THIS DOCUMENT IS CONTROLLED UNDER THE ITAR. IT MAY NOT BE PROVIDED TO A NON-U.S. RESIDENT WITHOUT THE WRITTEN APPROVAL OF THE U.S. GOV'T. VIOLATIONS WILL RESULT IN CIVIL OR CRIMINAL PENALTIES.</p> <p>PROPRIETARY AND CONFIDENTIAL</p> <p>THE INFORMATION CONTAINED IN THIS DRAWING IS THE SOLE PROPERTY OF OHIO ORDNANCE WORKS, INC. ANY REPRODUCTION IN PART OR AS A WHOLE WITHOUT THE WRITTEN PERMISSION OF OHIO ORDNANCE WORKS, INC. IS PROHIBITED.</p>	<p>UNLESS OTHERWISE SPECIFIED:</p> <p>DIMENSIONS ARE IN MM/(INCHES) ALL THREAD DIM. ARE IN INCHES</p> <p>TOLERANCES:</p> <p>FRACTIONAL</p> <p>ANGULAR: MACH ± BEND ±</p> <p>TWO PLACE DECIMAL ±</p> <p>THREE PLACE DECIMAL ±</p>	NAME	DATE	OHIO ORDNANCE WORKS, INC.				
	<p>INTERPRET GEOMETRIC TOLERANCING PER:</p> <p>MATERIAL AISI 1045</p> <p>FINISH</p> <p>DO NOT SCALE DRAWING</p>	DRAWN	GTH			2/16/2017	<p>SOLID LOWER TRUNNION RIVET, 00W50BMG</p>	
		CHECKED			SIZE	REV		
		ENG APPR.			A	5009799		
		Q.A.			SCALE: 1:1	WEIGHT:	SHEET 1 OF 1	
	COMMENTS:							