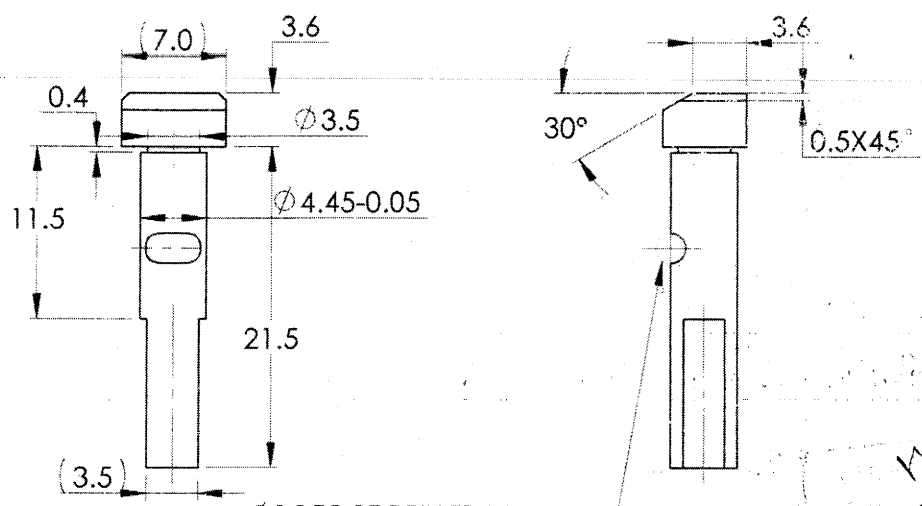


ISS C V AA C SS IC DRG No. ON DRG  
 V D 0 0 0 0 1 3 1 0 0 0 4 0 3 0 4 0 2 0 4 0

GENERAL TOL. : FINE / MEDIUM / COARSE CLASS TO IS: 2102  
 DRG. CONVENTIONS CONFIRM TO INDIAN STANDARDS DIMENSIONS ARE IN mm UNLESS OTHERWISE STATED.



Ø2.0 TO BE DRILLED IN CONJUNCTION WITH SLIDE COCKING HANDLE; LLE DRG NO 0805 07 01 00 01 002 00XA

*Handwritten notes:*  
 Modified  
 07/03/2019  
 sm

- NOTES:**
- 1) REMOVE ALL SHARP EDGES AND BURRS
  - 2) HARDNESS: 325-375 HV
  - 3) IF THE COMPONENT IS TO BE MANUFACTURED THROUGH MIM ROUTE, REFER ARDE SPECN No: DRDO/ARDE/MIM/TSP/051/2019.
  - 4) ALT. PROTECTIVE COATING: PHOSPHATED TO SPECN. IS:3618-1966, CLASS 'B'

Sr. No.	DATE	AUTHORITY	BRIEF RECORD	ZONE	CD SIGN	GO SIGN
---------	------	-----------	--------------	------	---------	---------

DRN: ANKIT  
 SIGN: *[Signature]*  
 DATE: 07/03/2019  
 CHECKED: *[Signature]*  
 MATERIAL: STEEL TO IS: 5517-1993, Gd-40Ni6CrMo3

APPD. *[Signature]*  
 DATE: 07/03/2019  
 FOR DIRECTOR  
 SEALED DATE:  
 PROTECTIVE FINISH: ELECTROLESS NICKEL-BORON NITRIDE (NiBN) COATING AS PER ARDE SPECN. NO: ARDE/SA/2016/COATING-02

SHEET SIZE: A4  
 SCALE: 1:1  
 EST. MASS: 3.41 gm  
 DESIGN AUTHORITY: ARDE PUNE 41 1021  
 TITLE: STUD COCKING HANDLE

DRG No. 0 2 0 4 0 3 0 4 0 0 0 1 0 1 3 0 0 D A  
 IC SS S AA A C SST

JVPC PART No. DS CAT No. AHSP