

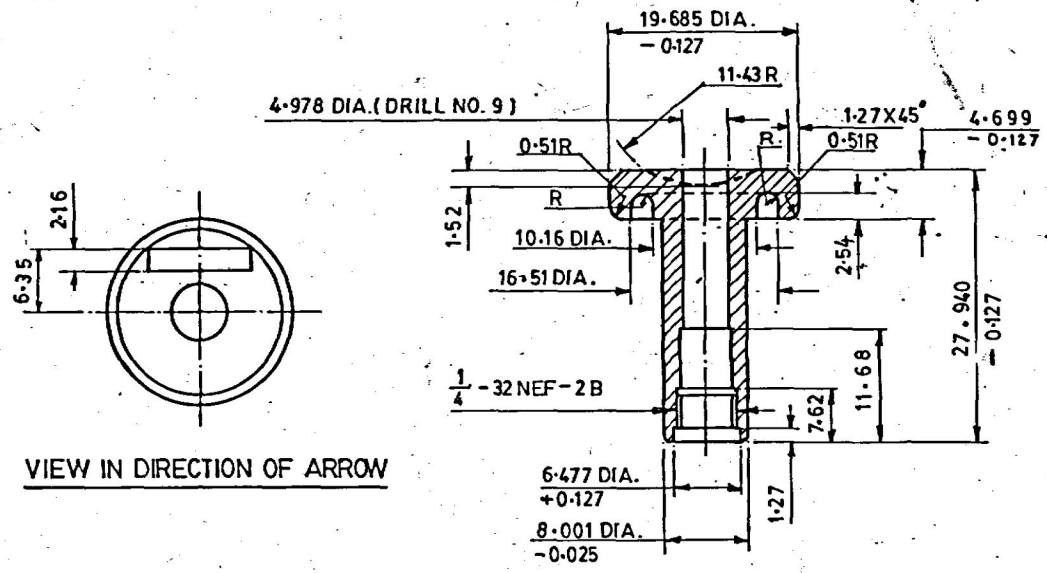
5315-018168

ON
D.S.CAT

DIMNS ARE IN mm.

NOTE :-
FOR EXPLANATION OF DETAILS WHEREVER NOT
SPECIFIED REFER D.D. NOTE SHEET NO.3
(LATEST ISSUE).

NOTE FOR SPECN. :-
FOR SPECN. LATEST ISSUE SHOULD BE FOLLOWED.



VIEW IN DIRECTION OF ARROW

METRIC

DRN		CHD	TRD	EXCLOSURE	COMP	APPROVED	DT.	ASSY.	1005-001501, 1005-001502, 1005-001503
SCALE :- 2:1		EST MASS		MFG/INSP. INSTRUCTIONS					
02.02.2000.	24629-SA	NOMENCLATURE AMENDED AND D.S.CAT.NO. 5315-018168 WAS 1005-001693.		APPROVED	DT. 19.6.67.	AHPSP CQASAJCHAPUR			
29.12.95	23211-SA	PROFORMA CHANGED, NEG. RE-TRACED & DRG. RE-SEALED		DT 30.12.95	NEG. RE-TRACED	DGNR'S NO. ARDE 657/138			
DATE AUTHY.		BRIEF RECORD		ZONE	VC,DO.	MATERIAL		STEEL BS 970 PT.1 SEC.2 Grd.070 M55	
SEALED :- D.C.15037-SA DT.15.2.77.		SIGN		HT/HARDNESS		350 - 400 HV (52 - 56 HRD)			
NOMENCLATURE		PIN HINGE MOULDING.		PROTECTIVE FINISH		HEAD PORTION :- PHOSPHATE TO SPECIFICATION JSS 0465:01-1988 CLASS-I PAINT REU FINISHING AMMUNITION STOVING BLACK SPRAYING FOR SMALL ARMS TO SPEC. PART PORTION :- PHOSPHATE TO SPECN. JSS 0465:01-1988 CLASS-I OIL FINISH.			
								D.S.CAT. NO. 5315-018168	