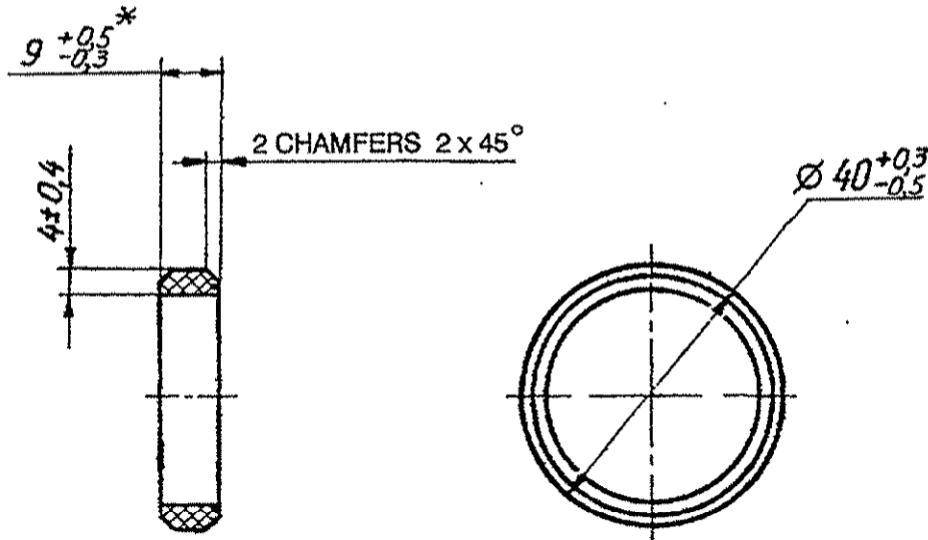


"COMMON TO T-90"  
 DRG RE-INDIANISED BASED ON RUSSIAN ORIGINAL ISSUE:- 7  
 (B.JAYAVELUJ, JT01D)  
 25-10-06

DRAWING NUMBER  
175.45.083

SHEET No 1 OF 1



**EXPLANATORY NOTE :-**

5. MATERIAL QUOTED :- RUBBER 9831 CODE No. 253114.  
TY 005 216 - 75

ALTERNATE MATERIAL QUOTED :- RUBBER 4326 - 1 TY 005 216 - 75.

253114 = SHAPED SEALING RINGS.

4326 - 1 = GRADE OF RUBBER.

1. ALTERNATE MATERIAL - RUBBER 4326 - 1 TY 005 216 - 75.
2. DIMENSIONS, EXCEPT THOSE MARKED WITH \* ARE TO BE ENSURED BY THE TOOL.
3. TO BE MARKED ON THE TAG.
4. REMAINING REQUIREMENTS - AS PER TY 005 216 - 75, CODE 25 3114.

GRADE OF RUBBER	WORKING MEDIUM	OPERATING TEMPERATURE °C	OPERATING PRESSURE Kgf/cm <sup>2</sup> (MIN)	HARDNESS ACCORDING TO TNP DEVICE	RUPTURE STRENGTH Kgf/cm <sup>2</sup> (MIN)	ELONGATION AT RUPTURE % (MIN).	DENSITY g/cm <sup>3</sup>
9831	WATER, LOW FREEZING LIQUID WITH OIL PENETRATION	- 20 TO + 150	100	55 - 70	100	300	1.18 ± 0.05
4326 - 1	DIESEL, FUEL	- 45 TO + 70		65 - 80	80	170	1.26

Ⓡ ALT. MATL: RUBBER GRADE N3 TO SPECN. CQA(HV)/NBR

PILOT SAMPLE SHOULD BE APPROVED BY A H S P BEFORE BULK PRODUCTION

EST WT (Kg) TO BE STAMPED OR MARKED WHERE INDICATED THUS # ( LETTERS)  
0.0043

ALL SHARP EDGES AND CORNERS TO BE REMOVED UNLESS OTHERWISE STATED MACHINED CORNERS TO HAVE R OUT SIDE R INSIDE EQUIVALENT CHAMFERS ARE PERMISSIBLE

DRN	Sd/=	MATERIAL:- RUBBER 9831 TY 005216 - 75	USED ON:- 188.45.001cb-3Cb (7A) 172.45.060cbCb
CHD	Sd/=	CONTROLLERATE OF QUALITY ASSURANCE (HEAVY VEHICLES) AVADI	
APPD	Sd/=		
DATE	18-09-86	TITLE:- SEALING RING	
SCALE	1:1		
DIMENSIONS IN mm		D S CAT NUMBER	
TOLERANCE ON DIMNS UNLESS OTHERWISE STATED IS 2102 69			
7B	13-01-07	Lt. No. 81312/CQA(HV)/DB-III/Alt. Matl. dt. 12.10.06.	DRAWING NUMBER 175.45.083
7A	25.10.04	N OF A No. CQA(HV)/T90/45/001	
ISSUE	DATE	NATURE OF AMENDMENTS	

F-85  
SIZE A3