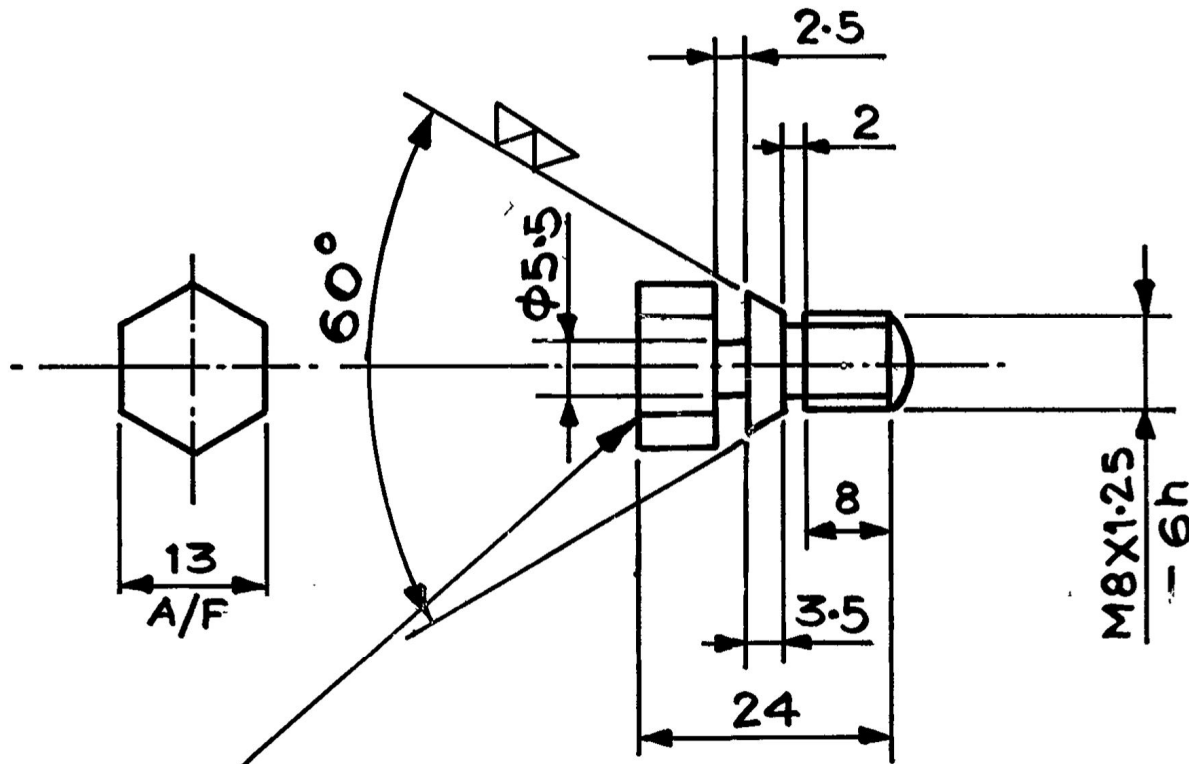


5305-003184

FOR EXPLANATION OF DIMENSIONING ETC, SEE ARDE NOTE SHT. No.1. DIMNS. ARE IN mm. UNLESS OTHERWISE STATED

THREAD CONFORM TO IS:4218



AFTER TIGHTENING, HEAD TO BE REMOVED AND FINISHED FLUSH.

MATL:-

IS: 320-1980 GDE HT 2 OR BS EN 12163 DESIGNATION CW 705 R, CONDITION R 620.

▽ (W)

					CQA(W)JABALPUR	
9-5-17	19592-W	MATL AMENDED			DRAWN:-	CHD:-
5-9-90		RETRACED WITHOUT CHANGE			TRACED:- L. Singh	CHD:- <i>R. Singh</i>
		PREV. DCs (I) No. 15961-W, 16095-W, 16175-W & 16625-W DT 12-2-88				
DATE	AUTHORITY	ZONE	NATURE	SIG AHSP	SIG DO	
AMENDMENTS						
DRG SEALED:- DC (I) No. 16095-W					C/D MAN	
DATE 23-12-83					AHSP	
SCALE:- 1:1					FOR CQA(W)	
ESTD MASS:-					DESIGN No.	
DATE:- 22-7-70					D6P-310103	
MATERIAL:- AS SHOWN ABOVE					PART No.	
ASSY. DRG:-					IFL 7226	
1015-000543, 1015-000664					DS CAT No.	
1015-002727, 1015-002728					5305-003184	
SCREW						