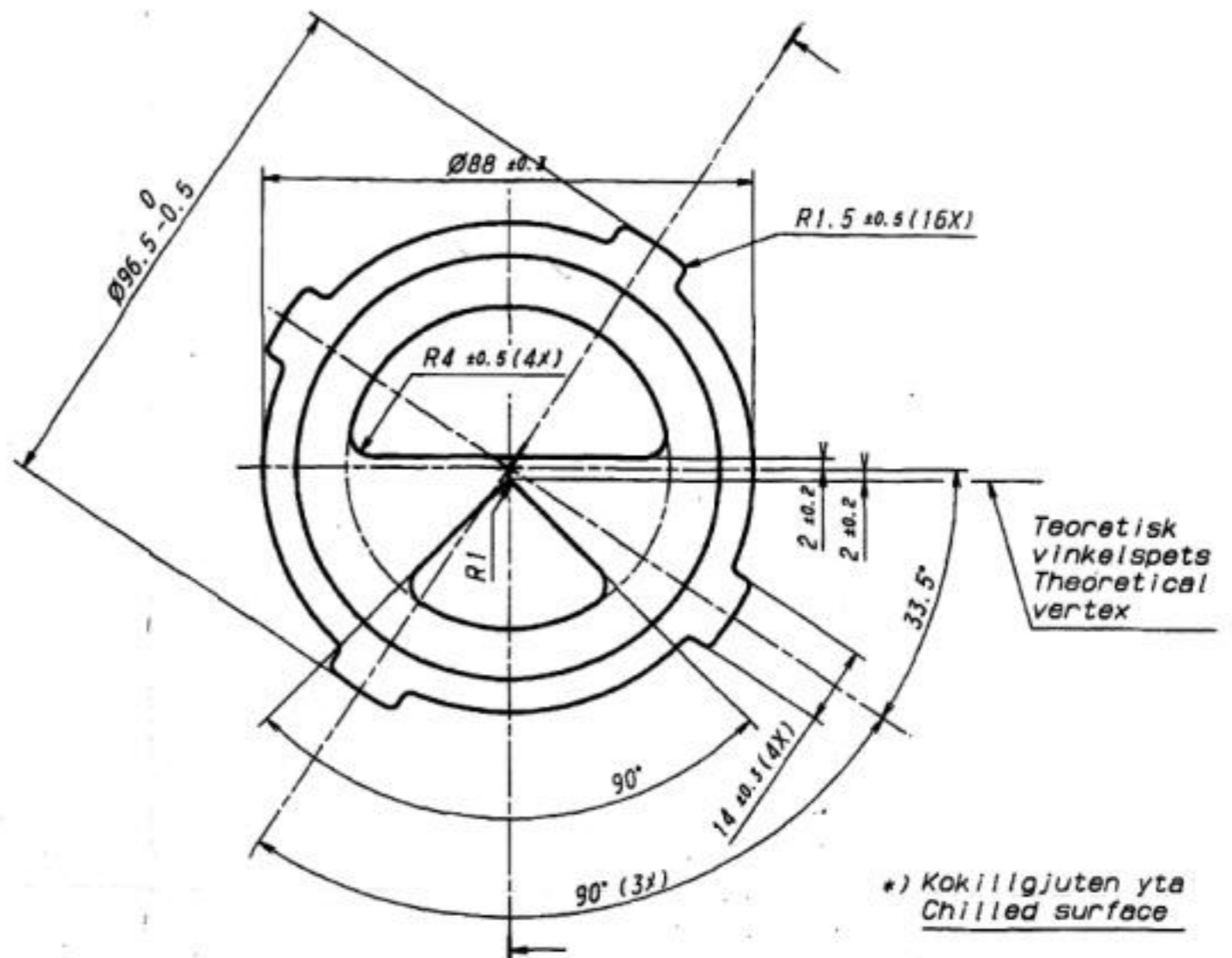
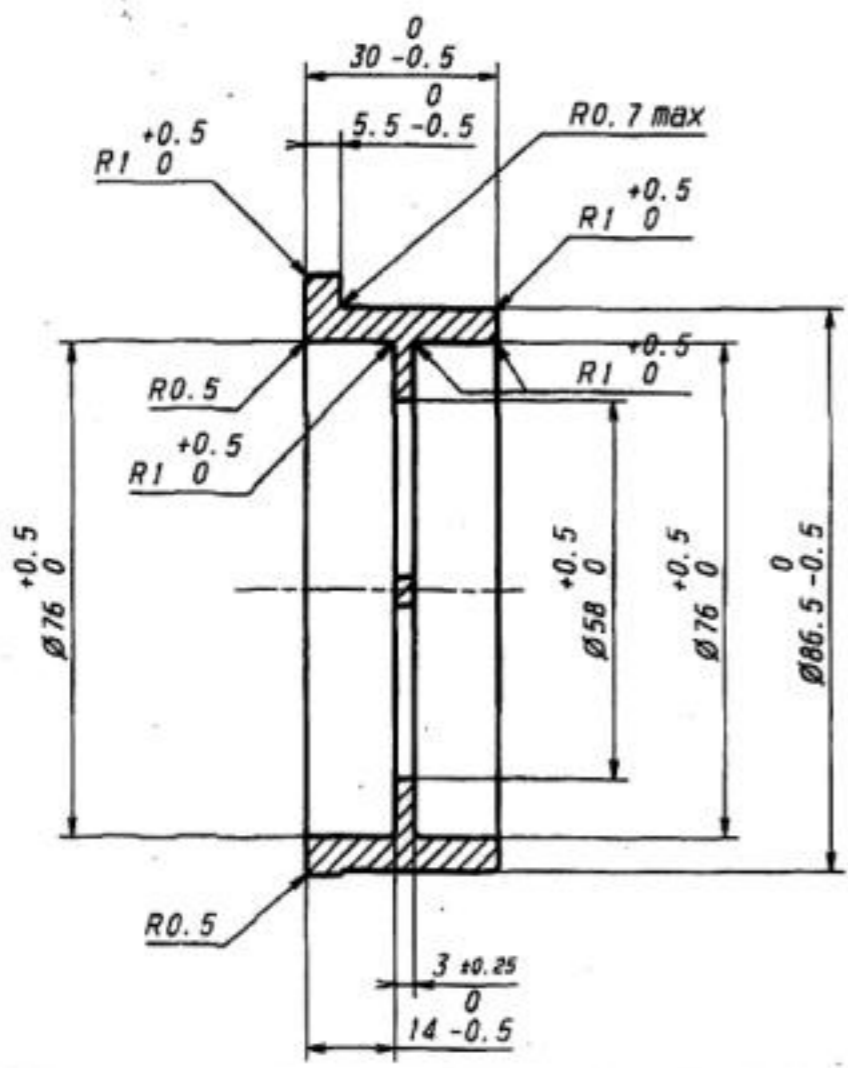


Denna teckning är FFV Ordnans AB egendom och får inte utan skriftligt medgivande kopieras, lånas ut eller användas för annat än avsett ändamål.

This document is the property of FFV Ordnance AB and must not be reproduced, circulated or any third party or used in any unauthorized manner without written consent.



**MATERIAL:-** 15 617-1994 DESIGNATION 4450 CONDITION 'TS'  
 CHILLED CAST OR BS 1490-1988 DESIGNATION  
 'LM25' COND-TF CHILLED CAST

Material		SS A1 4244-07 alt EN 1706 AC-42000-KT6	
För så snart anges gäller Unless otherwise stated the following applies		Fördringstakt enligt TB/Spec Requirements-qualified acc to 0 817 418	
Tillstånd: Surface finished acc/acc to SS 572	Ytbehandling/Surface treated		Next fire after yttbehandling Öve before after surface treatment
*)	Grodd/Deburred s ca 0,3 eller/ov approx 0,3 x0.3	Håvål/Fillet R max min	Tot an/tot acc to ISO 8062-CT7
Konstruktion/ Design/Drawn EG/B-L B	Ritning/Oversett Drawing checked/Transl HH/Borb	Produktion/ Production checked	Godkänd/ Approved KD/Borb
Datum/ Date 630115	Konstruktion/ Design checked KL/Borb	Kontroll/oversett/ Inspectability checked	Datum/ Date
Handling/Title Korshylsa, ämne, 84mm Grg Front Boresight, Blank 84mm RCL M2 (IN)		Dokumentation/ Document status U	
Skala/ Scale 1:1		Informationsklass/ Classification INTERN	
Förhållande/ Reference Nej/No		FFV Ordnance AB	
Ritningnummer/Drawing No. F1312-151671B		(IN)	

DATE	AUTHORITY	AMENDMENTS	NO	BY	REASON
13-5-11	19219-W	MATL ADDED ON DRG			
16-1-08	19106-W	ERIKSTA TO DC No. 19106-W DT 16-1-08 ENTERIES DELETED			
16-1-08	19106-W	MATL. ADDED ON DRG.			
02-5-07	19047-W	DRAWING SEALED			
20-06-06		SCANNED & PRINTED WITHOUT CHANGE			

SCANNED	PKA
CHECKED	KM

2-150671	IB	1-2	D6;E7	Borb	050525	(IN)
----------	----	-----	-------	------	--------	------

All revisions shall be recorded in the revision register. The revision register shall contain the revision number, date, and description of the revision.