

ITEM NO.	NOMENCLATURE	DRG NO.	QTY.	MATERIAL	SHEET SIZE
	ELECTRONICS ASSY	OLF/R&D/RDS/001.05			A4
	CIRCUIT DIAGRAM	OLF/R&D/RDS/001.05-S			A4
		COMPONENTS			
1	KNOB	OLF/R&D/RDS/001.05.01	01	AL ALLOY IS 733 :83, GR.24345 (WP)	A4
2	SPRING	OLF/R&D/RDS/001.05.02	01	SHEET ST. STEEL IS : 6603-2001 Gr. X 20 Cr 13	A4
3	LED HOLDER	OLF/R&D/RDS/001.05.03	01	AL ALLOY IS 733 :83, GR.24345 (WP)	
4	BUSH	OLF/R&D/RDS/001.05.04	01	ACRYLIC	A4
5	BUSH	OLF/R&D/RDS/001.05.05	01	ACRYLIC ROD	A4
6	WASHER	OLF/R&D/RDS/001.05.06	01	FOAM SHEET (BLACK)	A4
7	FORK	OLF/R&D/RDS/001.05.07		COPPER-BARELIUM (HRD) C. B 101 1.8%	A3
8	COMPRESSION SPRING (CONED END)	OLF/R&D/RDS/001.05.08	01	X07 Cr. 18 Ni 9 (Gr. 1) IS 4454 (Pt. 4) 2001.	A4
9	RING	OLF/R&D/RDS/001.05.09	01	N.RUBBER COMPOUND IS 5192 Pt. 1 : 1994 Gr-Z-50	A4
10	DOUBLE SIDED P.C.B. ASSY.	OLF/R&D/RDS/001.05.010	01		A4 - 6 SHT.
		STD. ITEMS			
11	LITHIUM CELL	MODEL-CR-1/3 NOR DL 1/3N	01		270918
12	12 POLE ROTARY SWITCH	RS STOCK No. 327-945	01		व्यापार हेतु FOR TRADE ONLY
13	WIRE 0.12MM ²	-	0.5M		
14	PVC SLEEVE 1X0.4	-	0.5M		
15	LED (RED)-3MM	RS STOCK No. 247-1656	01		
16	GRUB SCREW M2x6g.	-	03	IS: 2388-78-6,6 ZINC PLATED	

UN CONTROLLED COPY

CERTIFIED CORRECT COPY OF APPROVED DRAWINGS AT THIS DATE. 24/4/22
DESIGN & DRAWING OFFICE,
ORDNANCE FACTORY, TIRUCHIRAPPALLI-620 016.

COMP. No.	ASSY. DRG.
RED DOT SIGHT	
GEN. TOL. IS 2102-m (Pt.-II)	
DRAWN	17-4
CHECKED	17-4
HOS	17-4
NAME	DATE

OPTO ELECTRONICS FACTORY
DEHRADUN

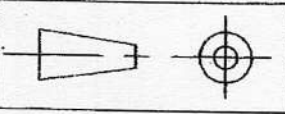
TITLE
ELECTRONICS ASSY

REF. M

DRG.No. OLF/R&D/RDS/001.05

D.A.No.	DT./SIGN	DESCRIPTION
		AMENDMENTS

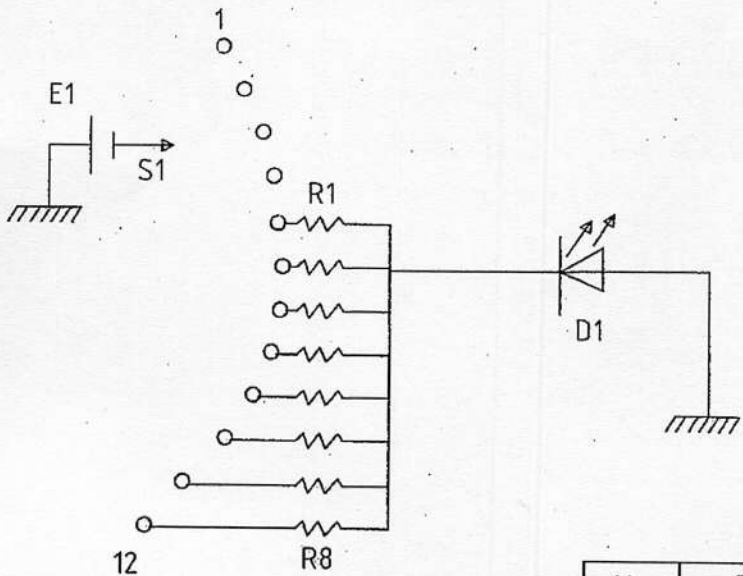
AWM/R&D
APPROVED



SCALE: 2:1

SHTS. 18 | SHT. No. 01

MATERIAL:	TREATMENT : HARDNESS:
SURFACE FINISH:	PROTECTIVE FINISH:



270918

व्यापार हेतु
FOR TRADE ONLY

CIRCUIT DIAGRAM

11	D1	LED	01
10	E1	3V BATTERY CR1/3N	01
9	S1	ROTARY SWITCH	01
8	R8	SMD RESISTANCE 470E	01
7	R7	SMD RESISTANCE 1K	01
6	R6	SMD RESISTANCE 1K8	01
5	R5	SMD RESISTANCE 3K9	01
4	R4	SMD RESISTANCE 8K2	01
3	R3	SMD RESISTANCE 15K	01
2	R2	SMD RESISTANCE 33K	01
1	R1	SMD RESISTANCE 68K	01
Sl.No.	CODE No.	ITEMS	QTY.

UN CONTROLLED COPY
CERTIFIED CORRECT COPY OF APPROVED
DRAWINGS AT THIS DATE 26/4/22
DESIGN & DRAWING OFFICE,
ORDNANCE FACTORY, TIRUCHIRAPPALI -620 016.

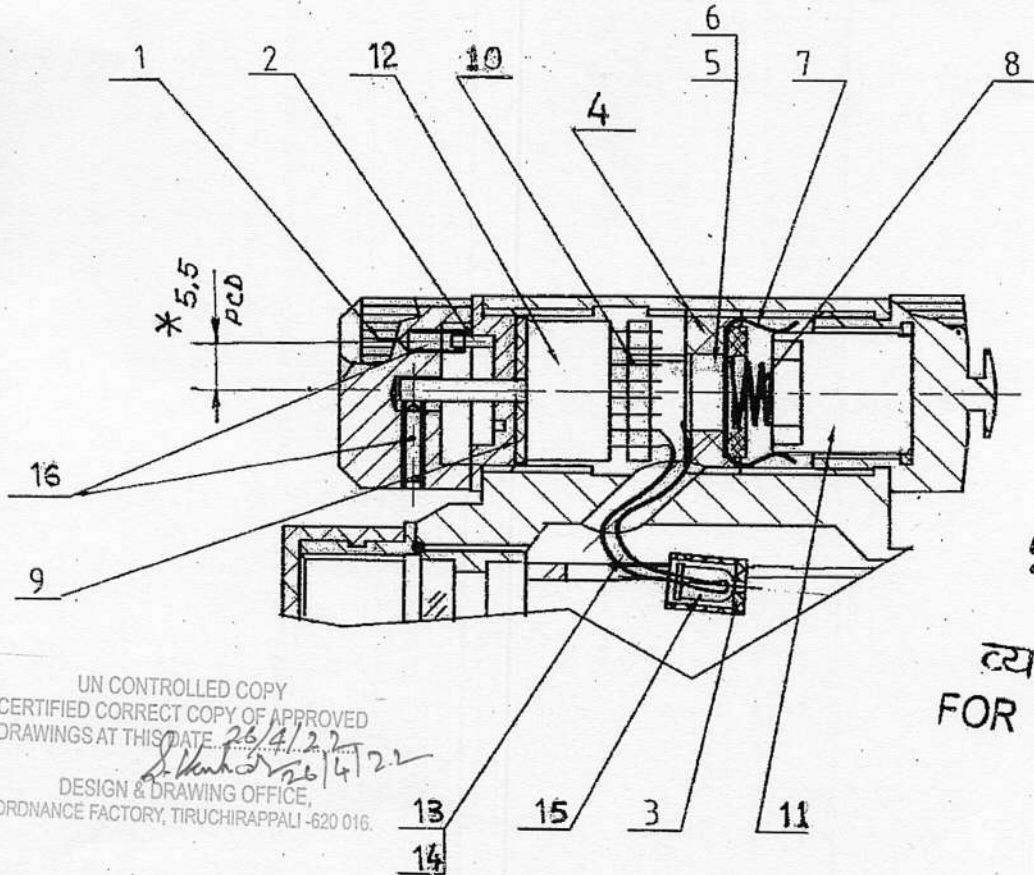
ITEM	DESCRIPTION	No. OFF	MATERIAL	REMARKS
LIST OF PARTS				
COMPT. No.	ASSY. DRG. RDS	OPTO ELECTRONICS FACTORY DEHRADUN		
2013	GEN.TOL.IS 2102-m (PART 1): 1993	TITLE		
DRAWN	<i>[Signature]</i>	CIRCUIT DIAGRAM OF RDS		
CHECKED	<i>[Signature]</i>	REF.		M
HOS/DO	A. Red	DRG.No. OLF/R&D/RDS/001.05-S		
D.A.No.	DT./SIGN	DESCRIPTION	NAME	DATE
AMENDMENTS		AWM/QC	<i>[Signature]</i>	M/Yr.
		APPROVED		
				SCALE: 1:1
				SHTS. 18
				SHT. No. 02

MATERIAL: —

TREATMENT —

SURFACE FINISH: —

PROTECTIVE FINISH :-



270918

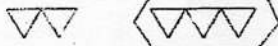
व्यापार हेतु
FOR TRADE ONLY

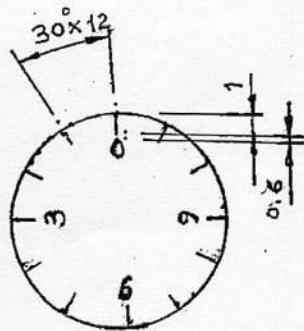
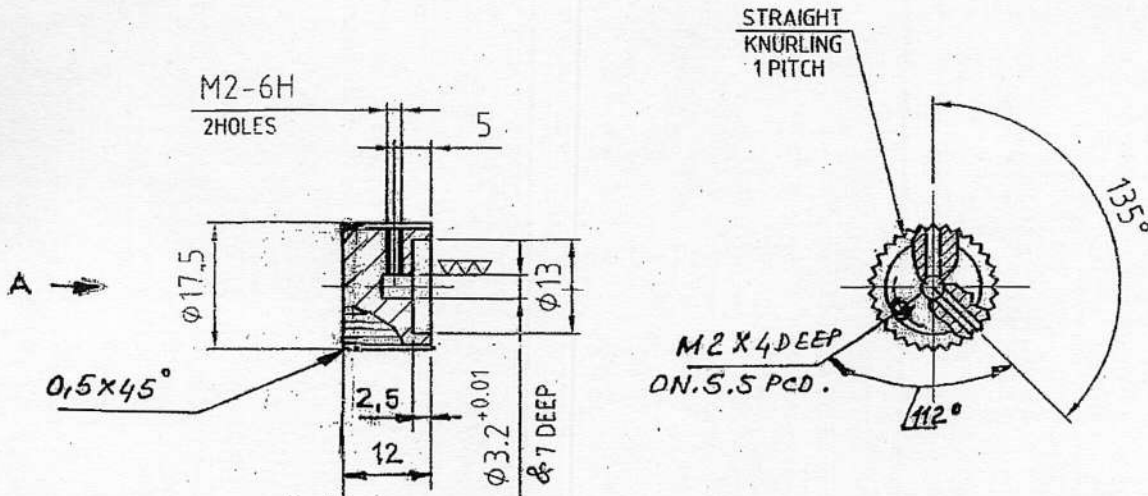
UN CONTROLLED COPY
CERTIFIED CORRECT COPY OF APPROVED
DRAWINGS AT THIS DATE 26/4/22
DESIGN & DRAWING OFFICE,
ORDNANCE FACTORY, TIRUCHIRAPPALI -620 016.

*
NOTE :- ONE TAPPED HOLE M2 X 4 DEEP TO BE DONE IN ASSY.
AT R 5.5PCD IN PART No.1

OLD NO.038000

ITEM	DESCRIPTION	No. OFF	MATERIAL	REMARKS
LIST OF PARTS				
COMPT. No.	ASSY. DRG.	OPTO ELECTRONICS FACTORY DEHRADUN		
2007	RED DOT SIGHT	TITLE <u>ELECTRONICS ASSY</u>		
DRAWN	GEN. TOL. IS 2102-m (Pt.-1)	16/4	REF. M	
CHECKED		16.4		
HOS		16.4		
NAME		DATE	DRG.No. OLF/R&D/RDS/001.05	
D.A.No.	DT./SIGN	DESCRIPTION	AWM/R&D	
AMENDMENTS			M/Yr. 04/2007	
			APPROVED	
			SCALE: 1:1	
			SHTS. 18 SHT. No. 03	

MATERIAL: - AL ALLOY IS 733 : 83 Gr.24345 (W?)	TREAT MENT -
SURFACE FINISH: 	PROTECTIVE FINISH :- ANODIC OXIDATION BLACK



VIEW-A

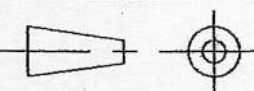
UN CONTROLLED COPY
 CERTIFIED CORRECT COPY OF APPROVED
 DRAWINGS AT THIS DATE 26/4/22
 DESIGN & DRAWING OFFICE,
 ORDNANCE FACTORY, TIRUCHIRAPPALI-620 016.

270918

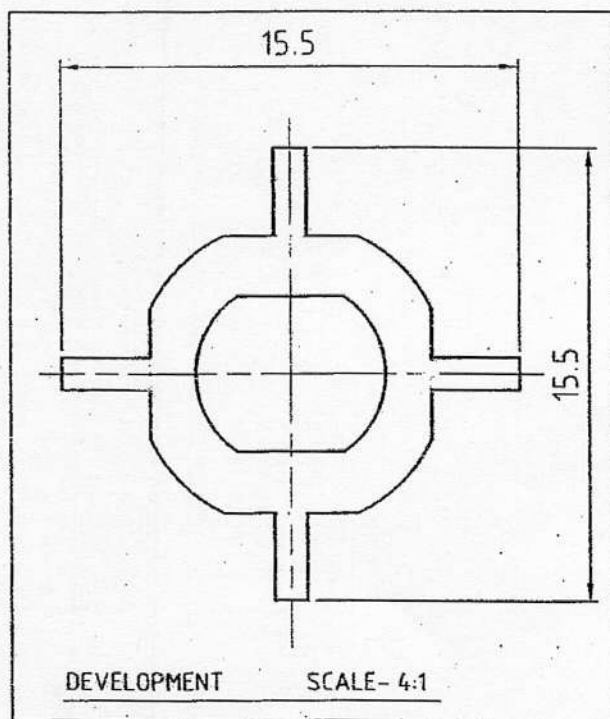
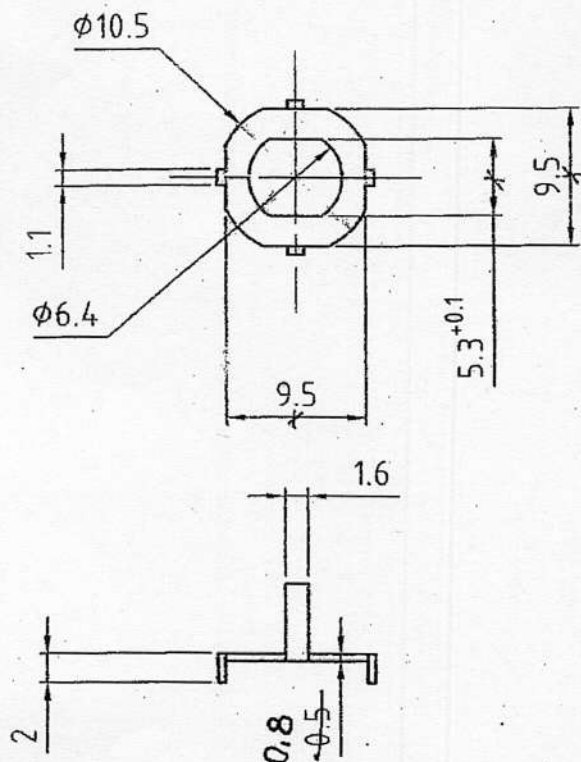
व्यापार हेतु
 FOR TRADE ONLY

ENGRAVING TO BE DONE IN ASSY.
AFTER MARKING '0' POSITION OF SWITCH. No.OFF-01
LATTER HIGHT 2mm.

OLD NO.038001

ITEM	DESCRIPTION	No. OFF	MATERIAL	REMARKS	
LIST OF PARTS					
COMPT. No.	ASSY. DRG.	OPTO ELECTRONICS FACTORY DEHRADUN			
	RED DOT SIGHT				
2007	GEN. TOL. JS 2102-m (Pt.-1)	TITLE KNOB			
DRAWN	<i>Ac</i>	16/4	REF. M.2		
CHECKED	<i>[Signature]</i>	16.4.			
JWM	<i>[Signature]</i>	16.4.			
	NAME	DATE	DRG.No. OLF/R&D/RDS/001.05.01		
D.A.No.	DT./SIGN	DESCRIPTION	AWM/ R&D	M/Yr. 4/07	SCALE: 1:1
AMENDMENTS			APPROVED: <i>[Signature]</i>		
			SHTS 18	SHT. No. 04	

MATERIAL: -	SHEET ST. STEEL IS 6603 : 01 Gr X 20 Cr 13	TREATMENT -	HRC 40 - 45
SURFACE FINISH:	▽	PROTECTIVE FINISH :-	



270918

व्यापार हेतु

UN CONTROLLED COPY
CERTIFIED CORRECT COPY OF APPROVED
DRAWINGS AT THIS DATE 26/5/12

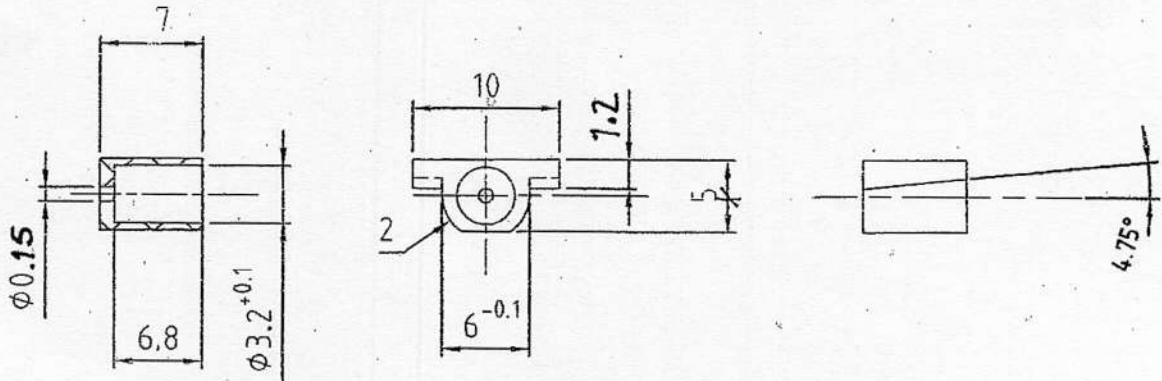
DESIGN & DRAWING OFFICE,
ORDNANCE FACTORY, TIRUCHIRAPPALI - 620 016.

QTY-1

OLD NO. 037010

ITEM	DESCRIPTION	No. OFF	MATERIAL	REMARKS
LIST OF PARTS				
COMPT. No.	ASSY. DRG.	OPTO ELECTRONICS FACTORY DEHRADUN		
	RED DOT SIGHT			
2007	GEN. TOL. IS 2102-m (Pt.-1)	TITLE		
DRAWN	Agg	16/4	<u>SPRING</u>	
CHECKED	Dr. S. S. S.	16.4	REF.	
HQS	Dr. S. S. S.	16.4	M 1	
NAME		DATE	DRG.No. OLF/R&D/RDS/001.05.02	
D.A.No.	DT./SIGN	DESCRIPTION	AWM/ R&D	M/Yr.
AMENDMENTS			APPROVED	4/07
			SCALE: 2:1	SHTS 18
				SHT. No. 05

MATERIAL: AL. ALLOY IS 733 : 83 Gr. 24345(WP)	TREATMENT: —
SURFACE FINISH: ▽	PROTECTIVE FINISH: — ANODIC OXIDATION BLACK



270918
व्यापार हेतु
FOR TRADE ONLY

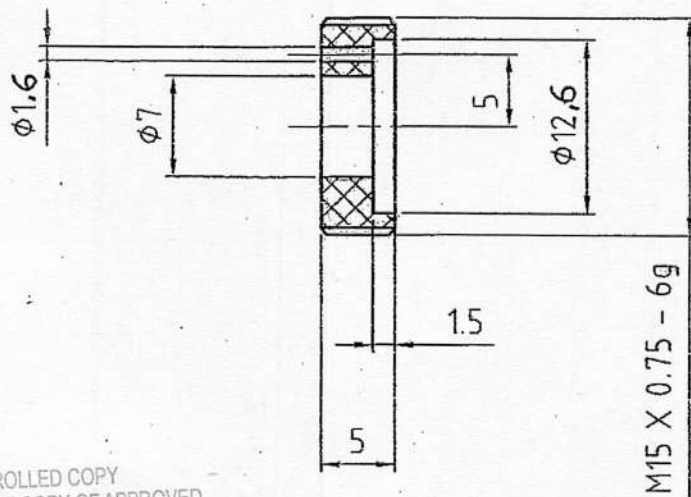
UN CONTROLLED COPY
CERTIFIED CORRECT COPY OF APPROVED
DRAWINGS AT THIS DATE 22/4/22

DESIGN & DRAWING OFFICE,
ORDNANCE FACTORY, TIRUCHIRAPPALI - 620 016.

QTY/SET:01

ITEM	DESCRIPTION	No. OFF	MATERIAL	REMARKS
LIST OF PARTS				
COMPT. No.	ASSY. DRG.	OPTO ELECTRONICS FACTORY DEHRADUN		
2007	GEN. TOL. IS 2102-m (Pt.-1)	TITLE: <u>LED HOLDER</u>		
DRAWN	A42	16/4	REF. M 1	
CHECKED	[Signature]	16.4	DRG.No. OLF/R&D/RDS/001.05.03	
JWM	[Signature]	16.4		
	NAME	DATE		
D.A.No.	DT./SIGN	DESCRIPTION	AWM/R&D	M/Yr.
AMENDMENTS			[Signature]	4/07
			APPROVED	
			SCALE: 2:1	
			SHTS: 18	SHT No: 06

MATERIAL: - ACRYLIC/TEFLON	TREATMENT -
SURFACE FINISH: ▽	PROTECTIVE FINISH -



UN CONTROLLED COPY
 CERTIFIED CORRECT COPY OF APPROVED
 DRAWINGS AT THIS DATE. 26/4/22
 DESIGN & DRAWING OFFICE,
 ORDNANCE FACTORY, TIRUCHIRAPPALI - 620 016.

270918
 व्यापार हेतु
 FOR TRADE ONLY

(i) ALTERNATE MATERIAL:- FLURO PLASTIC (S); HIFLON-71

QTY-1

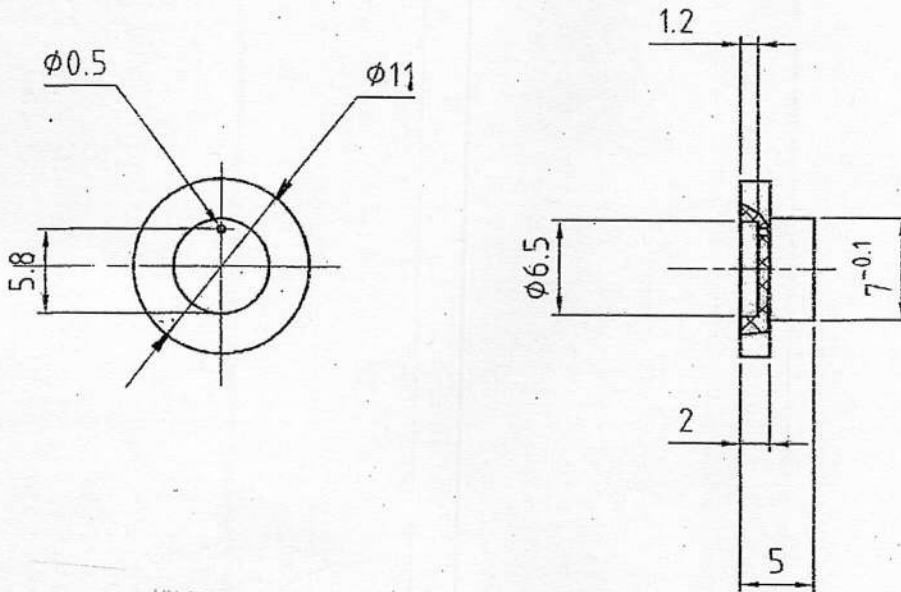
OLD NO.037006

ITEM	DESCRIPTION	No. OFF	MATERIAL	REMARKS
LIST OF PARTS				
COMPT. No.	ASSY. DRG.	OPTO ELECTRONICS FACTORY DEHRADUN		
2007	RED DOT SIGHT	TITLE: BUSH		
DRAWN	GEN. TOL. IS 2102-m (Pt.-1)	16/4	REF. M72	
CHECKED		16-4	DRG.No. OLF/R&D/RDS/001.05.04	
HOS.		16-4		
D.A.No.	NAME	DATE		
DT./SIGN	AWM/R&D	M/Yr.	SCALE: 2:1	
AMENDMENTS		4/07	SHTS. 18 SHT. No. 07	
		APPROVED		

(i) D.O/DA/95/15 JE Gm/oc 24/7/15 ALIT. MATERIA ADDED

25

MATERIAL: - ACRYLIC ROD/TEFLON	TREATMENT -
SURFACE FINISH: ▽▽	PROTECTIVE FINISH -



270918
 व्यापार हेतु
 FOR TRADE ONLY

UN CONTROLLED COPY
 CERTIFIED CORRECT COPY OF APPROVED
 DRAWINGS AT THIS DATE: 26/4/22
 S. Kumar 26/4/22
 DESIGN & DRAWING OFFICE,
 ORDNANCE FACTORY, TIRUCHIRAPPALI - 620 016.

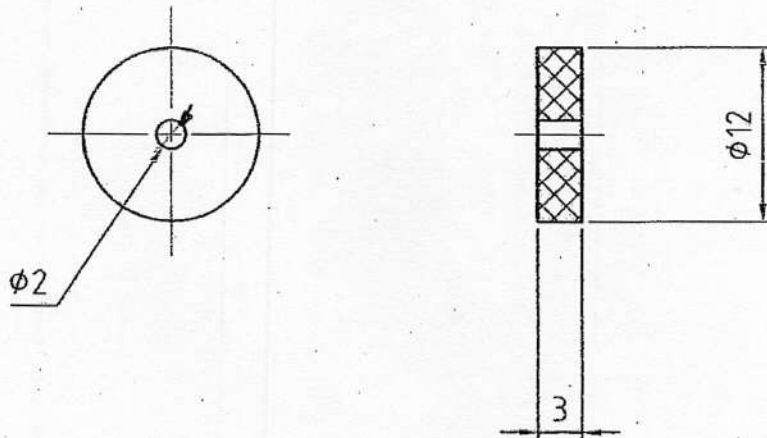
(i) ALTERNATE MATERIAL:- FLURO PLASTIC IS/HIFLON-71

QTY-1

ITEM	DESCRIPTION	No. OFF	MATERIAL	REMARKS
LIST OF PARTS				
COMPT. No.	ASSY. DRG.	OPTO ELECTRONICS FACTORY DEHRADUN		
2007	RED DOT SIGHT	TITLE		
2007	GEN. TOL. IS 2102-m (PF.-1)	BUSH		
DRAWN	AK	16/4	REF.	
CHECKED	[Signature]	16-4	M32	
HOS	[Signature]	16-4	DRG.No. OLF/R&D/RDS/001.05.05	
D.A.No.	DT./SIGN	DESCRIPTION	AWM/R&D	M/Yr.
DO/DA/95/15	J6 am/oc 24/7/15	ALTE. MATERIAL ADDD	[Signature]	4/07
AMENDMENTS			APPROVED	
			SCALE: 2:1	SHTS. 18
				SHT. No. 08

OLD NO. 037004

MATERIAL: - FOAM SHEET (BLACK)	TREATMENT - —
SURFACE FINISH: ▽▽	PROTECTIVE FINISH - —



270918
 व्यापार हेतु
 FOR TRADE ONLY

UN CONTROLLED COPY
 CERTIFIED CORRECT COPY OF APPROVED
 DRAWINGS AT THIS DATE 26/4/22
 DESIGN & DRAWING OFFICE, 26/4/22
 ORDNANCE FACTORY, TIRUCHIRAPPALI - 620 016.

ALT. MATERIAL: N. RUBBER COMPOUND IS: 5192
 Pt. 1: 1994 Gr. Z-50

QTY-1

OLD NO. 037007

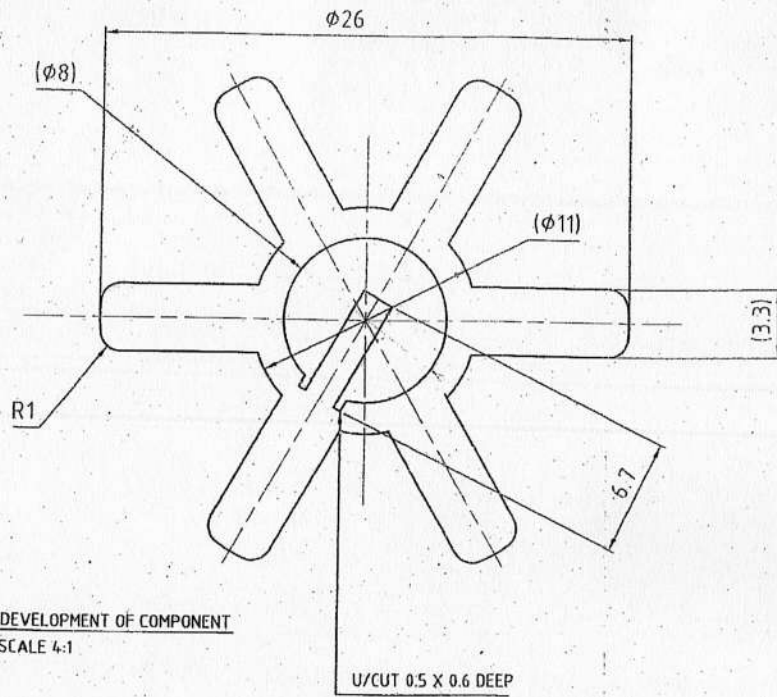
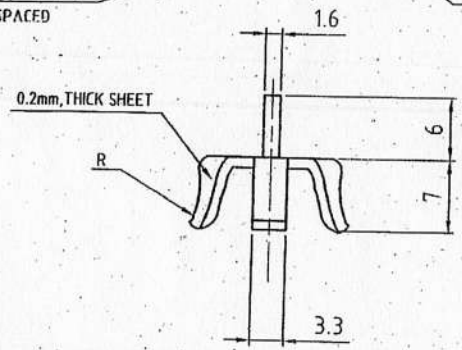
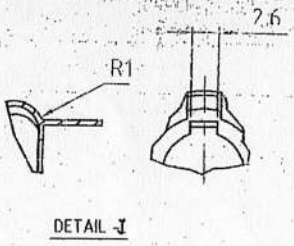
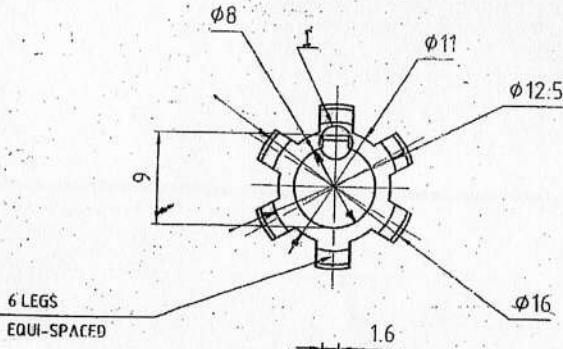
ITEM	DESCRIPTION	No. OFF	MATERIAL	REMARKS
LIST OF PARTS				
COMPT. No.	ASSY. DRG.	OPTO ELECTRONICS FACTORY DEHRADUN		
	RED DOT SIGHT			
2007	GEN. TOL. IS 2102-m (Pt.-1)	TITLE <u>WASHER</u>		
DRAWN	AG	16/4		
CHECKED	AG	16-4		
HOS	AG	16-4	REF. M	
	NAME	DATE	DRG.No. OLF/R&D/RDS/001.05.06	
D.A.No.	DT./SIGN	DESCRIPTION	AWM/ R&D	M/Yr. 4/09
AMENDMENTS			APPROVED	SCALE: 2:1
			SHTS. 18 SHT. No. 09	

MATERIAL: COPPER-BARELIUM (HRD) - (i)
 Cu-6-10+1.0% CB 10; SH, BS: 2870-80

SURFACE FINISH:

TREATMENT
 HARDNESS:

PROTECTIVE FINISH:



270918
 व्यापार हेतु
 FOR TRADE ONLY

OLD NO. 037003

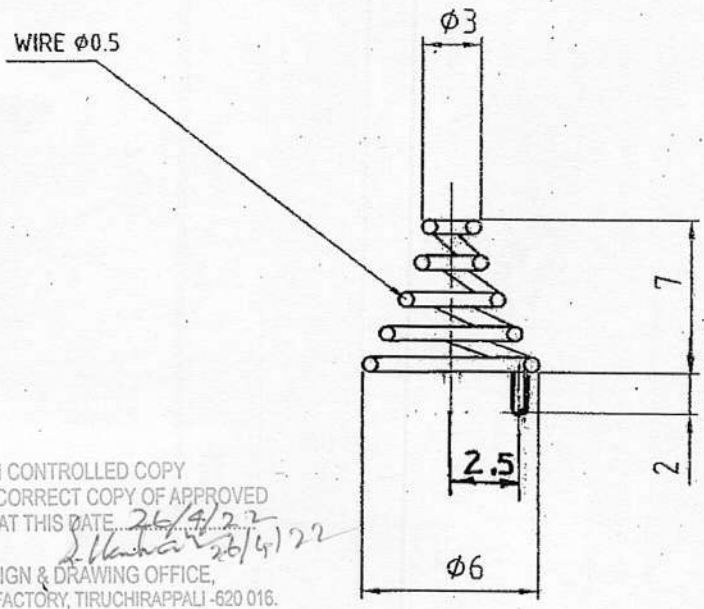
UN CONTROLLED COPY
 CERTIFIED CORRECT COPY OF APPROVED
 DRAWINGS AT THIS DATE 26/4/22
 REGIONAL OFFICE
 520 016

D.A.No.	DT./SIGN	DESCRIPTION
(i) DO/DA/96/15	30/7/2015	MATERIAL DESIG. CORRECTION OF
AMENDMENTS		

ITEM	DESCRIPTION	No. OFF	MATERIAL	REMARKS
LIST OF PARTS				
COMPT. No.	ASSY. DRG.	OPTO ELECTRONICS FACTORY DEHRADUN		
2007	GEN. TOL. IS 2102-m (PART-I)	TITLE FORK		
DRAWN	Agg	16-4	REF. M 1	
CHECKED	[Signature]	16-4	DRG.No. OLF/R&D/RDS/001.05.07	
HDS	[Signature]	16-4	SCALE: 2:1	
NAME		DATE	SHTS. 18 SHT. No. 10	
APPROVED		M/YR.	4/07	

(2-9-2015) 08-0F8S 2A)

MATERIAL: - X 07 Cr 18 Ni 9 (Gx.1) IS 4454 (Pt-4) :2001	TREATMENT -
SURFACE FINISH:	PROTECTIVE FINISH :-



UN CONTROLLED COPY
 CERTIFIED CORRECT COPY OF APPROVED
 DRAWINGS AT THIS DATE: 26/4/22
 DESIGN & DRAWING OFFICE,
 ORDNANCE FACTORY, TIRUCHIRAPPALI - 620 016.

270918

व्यापार हेतु
 FOR TRADE ONLY

NO. OF COIL : 4

SPRING END : SQUARED

- (i) ALTERNATE MATERIAL:- SPRING STEEL WIRE Gx.SM, IS:4454(Pt-I) 2001
- (ii) COATING:- TIN BISMUTH COATING

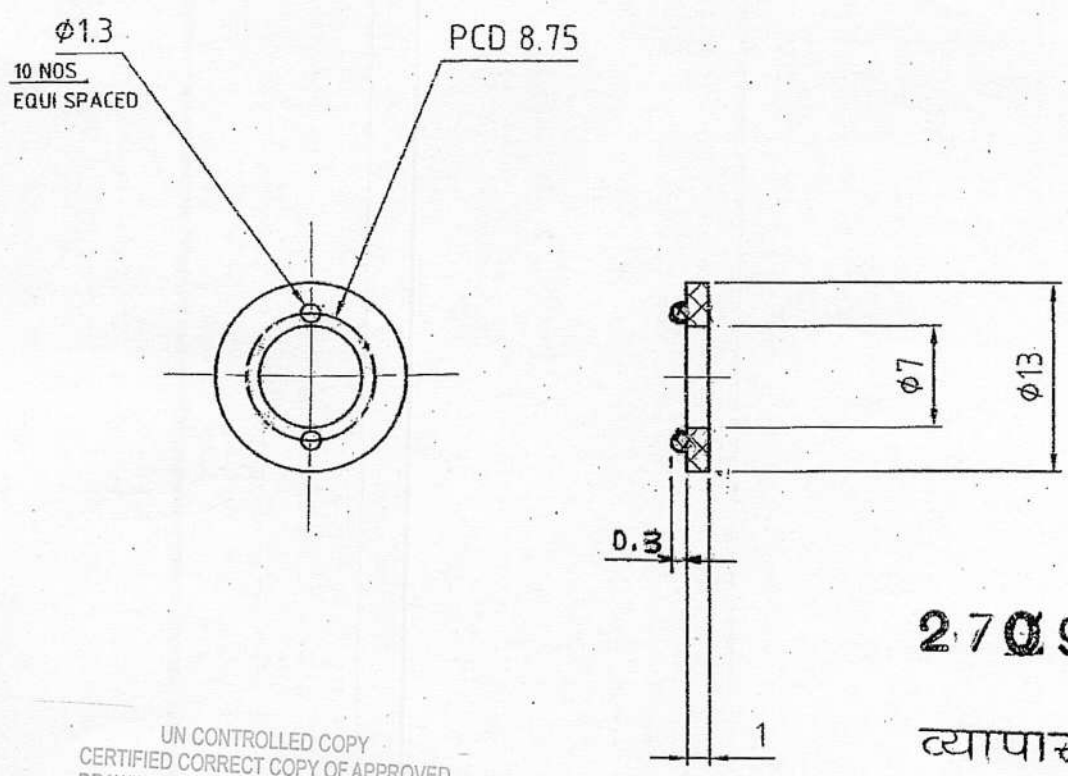
QTY-1

OLD NO.037005

ITEM	DESCRIPTION	No. OFF	MATERIAL	REMARKS
LIST OF PARTS				
COMPT. No.	ASSY. DRG.	OPTO ELECTRONICS FACTORY DEHRADUN		
2007	RED DOT SIGHT	TITLE <u>COMPRESSION SPRING</u> (CONED END)		
DRAWN	GEN. TOL. IS 2102-m (Pt-1)	16-4	REF. M 24	
CHECKED		16-4	DRG.No. OLF/R&D/RDS/001.05.08	
HOS		16-4	SCALE: 5:1	
NAME		DATE	SHTS. 18 SHT. No. 11	
AWM/ R&D		M/Yr.	APPROVED	
AMENDMENTS		4/07		

DO/DA/94/15
 dt - 21.7.2015
 Jt. GM/Rc
 21/7/2015
 ALTR MATERIAL &
 COATING ADDED

MATERIAL: -	N.RUBBER COMPOUND IS 5192 Pt.1: 1994 Gr-Z-50	TREATMENT -	-
SURFACE FINISH:	▽▽	PROTECTIVE FINISH :-	-



270918

व्यापार हेतु
FOR TRADE ONLY

QTY: 1

UN CONTROLLED COPY
CERTIFIED CORRECT COPY OF APPROVED
DRAWINGS AT THIS DATE: 26/4/22
DESIGN & DRAWING OFFICE,
ORDNANCE FACTORY, TIRUCHIRAPPALI - 620 016.

600/EN/017009



ITEM	DESCRIPTION	No. OFF	MATERIAL	REMARKS
LIST OF PARTS				
COMPT. No.	ASSY. DRG.	OPTO ELECTRONICS FACTORY DEHRADUN		
	RED DOT SIGHT			
2007	GEN. TOL. IS 2102-m (Pt.-1)	TITLE		
DRAWN	<i>Am</i>	16/4	RING	
CHECKED	<i>GTJ</i>	16.4	REF.	
HQS	<i>GTJ</i>	16.4	M 1	
	NAME	DATE	DRG.No. OLF/R&D/RDS/001.05.09	
D.A.No.	DT./SIGN	DESCRIPTION	AWM/ R&D	M/Yr.
		AMENDMENTS	<i>Am</i>	4/07
			APPROVED	
			SCALE: 2:1	
			SHTS. 18	SHT. No. 12

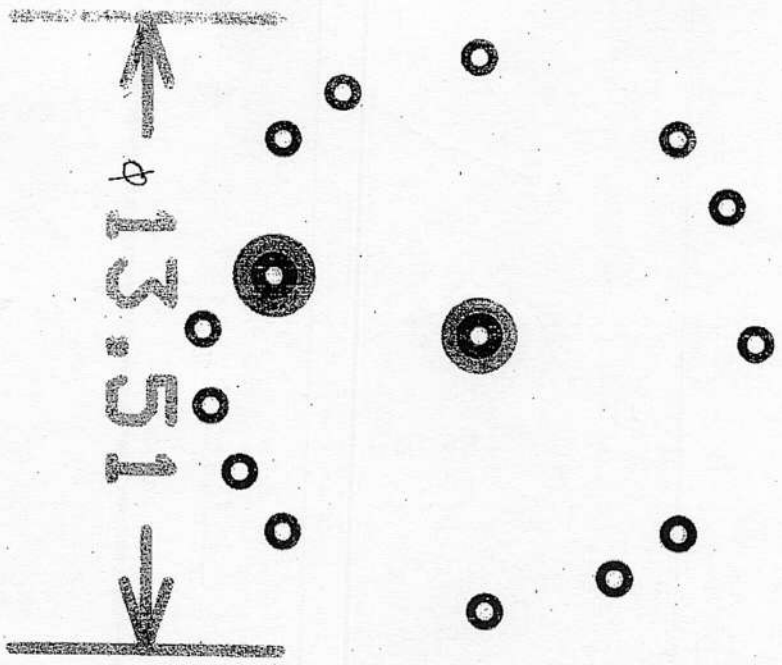
MATERIAL:	TREATMENT : HARDNESS:
SURFACE FINISH:	PROTECTIVE FINISH:

SL.No.	NOMENCLATURE	DRAWING No.	QPS	MATERIAL
	DOUBLE SIDED PCB (3.5mmDIA) ASSY.	OLF/R&D/RDS/001.05.010	01	
PARTS				
01.	SMD RESISTANCE 68K	RS STOCK No.223-2502	01	
02.	SMD RESISTANCE 33K	RS STOCK No.223-2451	01	
03.	SMD RESISTANCE 15K	RS STOCK No.223-2417	01	
04.	SMD RESISTANCE 8K2	RS STOCK No.223-2388	01	
05.	SMD RESISTANCE 3K9	RS STOCK No.223-2344	01	
06.	SMD RESISTANCE 1K8	RS STOCK No.223-2293	01	
07.	SMD RESISTANCE 1K	RS STOCK No.223-2265	01	
08.	SMD RESISTANCE 470E	RS STOCK No.223-2215	01	

270918
व्यापार हेतु
FOR TRADE ONLY

UN CONTROLLED COPY
CERTIFIED CORRECT COPY OF APPROVED
DRAWINGS AT THIS DATE *26/4/22*
S. Narasimha
DESIGN & DRAWING OFFICE,
ORDNANCE FACTORY, TIRUCHIRAPPALI-620 016.

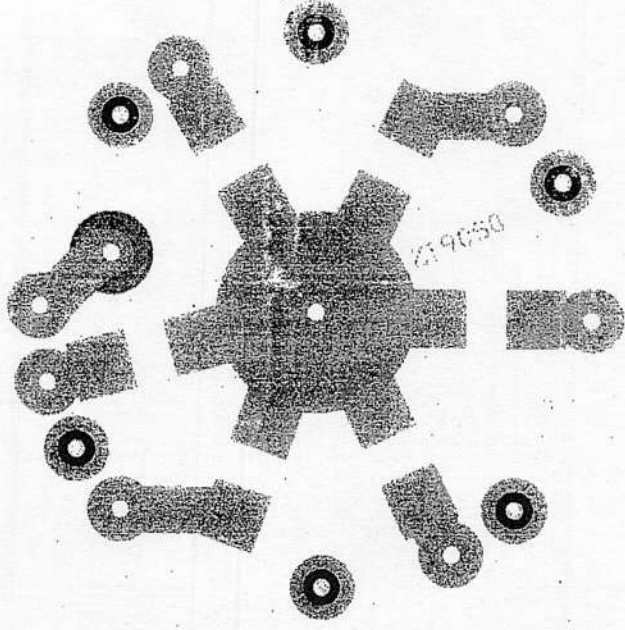
		COMPT. No.	ASSY. DRG.	OPTO ELECTRONICS FACTORY DEHRADUN	
		RED DOT SIGHT			
2007	GEN. TOL. IS 2102-m (PT-1)	TITLE		DOUBLE SIDED P.C.B. ASSY.	
DRAWN	<i>Am</i>	16-04	REF.		M
CHECKED	<i>S. Narasimha</i>	16-04			
HOS	<i>S. Narasimha</i>	16-04	DRG.No.OLF/R&D/RDS/001.05.010		
		NAME	DATE		
D.A.No.	DF / SIGN	DESCRIPTION	AWM/ R&D	M/Yr.	SCALE:
AMENDMENTS			<i>S. Narasimha</i>	04/2007	SHCS 18
			APPROVED	 	SH. N. 13



270918
 व्यापार हेतु
 FOR TRADE ONLY

UN CONTROLLED COPY
 CERTIFIED CORRECT COPY OF APPROVED
 DRAWINGS AT THIS DATE. *26/4/22*
S. Venkatesh
 DESIGN & DRAWING OFFICE,
 ORDNANCE FACTORY, TIRUCHIRAPPALI - 620 016.

			COMPT. No.	ASSY. DRG.	OPTO ELECTRONICS FACTORY DEHRADUN		
			2007	GEN. TOL. IS 2102-m (PT.-1)	TITLE		
			DRAWN	<i>AWM</i>	17-4	DOUBLE SIDED P.C.B. ASSY.	
			CHECKED	<i>J.P. GOND</i>	17.4	REF. M	
			HOS	<i>J.P. GOND</i>	17.4	DRG.No. OLF/R&D/RDS/001.05.010	
D.A.No.	DT /SIGN	DESCRIPTION	AWM/ R&D	M/Yr.	SCALE: 6:1		
AMENDMENTS			<i>AWM</i>	4-2007	SHTS. 18 SHT. No. 14		
			APPROVED				

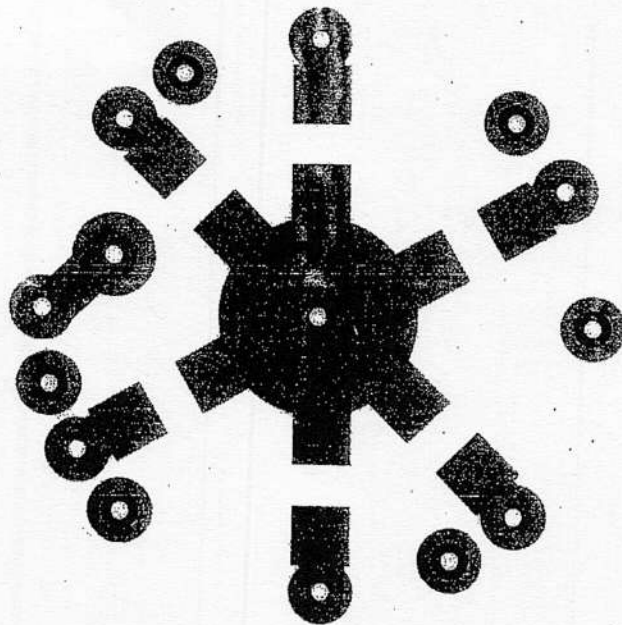


270918

व्यापार हेतु
FOR TRADE ONLY

UN CONTROLLED COPY
CERTIFIED CORRECT COPY OF APPROVED
DRAWINGS AT THIS DATE. 26/4/22
S. Hanumanth
DESIGN & DRAWING OFFICE,
ORDNANCE FACTORY, TIRUCHIRAPPALI - 620 016.

			COMPT. No.	ASSY. ORG.	OPTO ELECTRONICS FACTORY DEHRADUN		
			2007	GEN. TOL. IS 2102-m (PT.-1)	TITLE		
			DRAWN	<i>R.S.</i>	17-4	DOUBLE SIDED P.C.B. ASSY.	
			CHECKED	<i>S.P. G.M.L.</i>	17-4	REF.	M
			HOS	<i>S.P. G.M.L.</i>	17-4	DRG.No.OLF/R&D/RDS/001.05.010	
			NAME	DATE	SCALE: 6:1		
			A/W/ R&D	<i>R.S.</i>	M/Yr.	CHS 18	
AMENDMENTS			APPROVED	<i>R.S.</i>	4-200	CHG. No. 15	



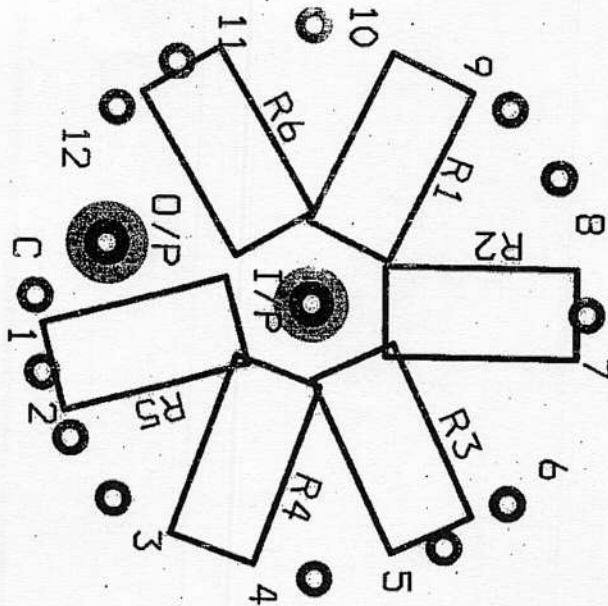
270918
 व्यापार हेतु
 FOR TRADE ONLY

UN CONTROLLED COPY
 CERTIFIED CORRECT COPY OF APPROVED
 DRAWINGS AT THIS DATE 26/4/22
 S. Venkatesh
 DESIGN & DRAWING OFFICE,
 ORDNANCE FACTORY, TIRUCHIRAPPALI - 620 016.

		COMPT. No.		ASSY. DRG.		OPTO ELECTRONICS FACTORY DEHRADUN	
				RED DOT SIGHT			
		2007	GEN. TOL. IS 2102-m (Pt.-1)		TITLE		
		DRAWN	RV	17-4	DDUBLE SIDED P.C.B. ASSY.		
		CHECKED	S. Venkatesh		REF.		M
		HOS	S. Venkatesh		DRG.No.OLF/R&D/RDS/001.05.010		
		NAME		DATE			
D A.No	DT./SIGN	DESCRIPTION		AWM/ R&D	M/Yr.	SCALE: 6:1	
AMENDMENTS				APPROVED	4-2007	SHTS. 18	
						SHT.No. 16	

34

16



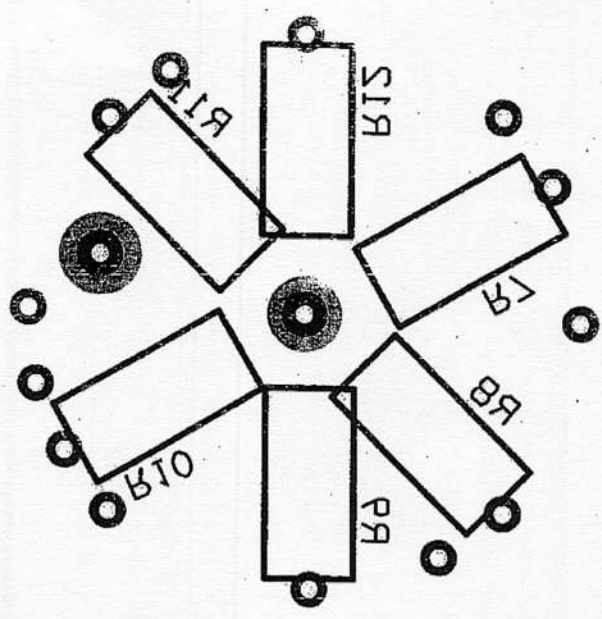
270918

व्यापार हेतु
FOR TRADE ONLY

UN CONTROLLED COPY
CERTIFIED CORRECT COPY OF APPROVED
DRAWINGS AT THIS DATE 26/4/22

DESIGN & DRAWING OFFICE,
ORDNANCE FACTORY, TIRUCHIRAPPALI - 620 016.

		COMPT. No.		ASSY. DRG.		OPTO ELECTRONICS FACTORY DEHRADUN	
		2007		GEN. TOL. IS 2102-m (Pt.-1)		TITLE	
		DRAWN		17-4		DOUBLE SIDED P.C.B. ASSY.	
		CHECKED		17-4		REF.	
		HOS		17-4		M	
		NAME		DATE		DRG.No.OLF/R&D/RDS/001.05.010	
DT./SIGN		DESCRIPTION		AWM/ R&D		SCALE: 6:1	
AMENDMENTS		APPROVED		M/Yr. 4-2007		SHTS: 18	
						SHT. No 17	



270918
 व्यापार हेतु
 FOR TRADE ONLY

UN CONTROLLED COPY
 CERTIFIED CORRECT COPY OF APPROVED
 DRAWINGS AT THIS DATE: 26/4/22
 A. Venkat 26/4/22
 DESIGN & DRAWING OFFICE,
 ORDNANCE FACTORY, TIRUCHIRAPPALI -620 016.

		COMPT. No.		ASSY. DRG.		OPTO ELECTRONICS FACTORY DEHRADUN	
		RED DOT SIGHT				TITLE	
		2007	GEN. TOL. IS 2102-m (Pt.-1)		DOUBLE SIDED P.C.B. ASSY.		
		DRAWN	RSV	17-4		REF.	
		CHECKED	SP/40MS	17.4		M	
		HOS	SP/40MS	17.4		DRG.No. OLF/R&D/RDS/001.05.010	
		NAME		DATE		SCALE 6:1	
D.A.No.		DT/SIGN	DESCRIPTION	AWM/ R&D	M/Yr.	SHTS 18 SHT No 18	
AMENDMENTS				APPROVED			