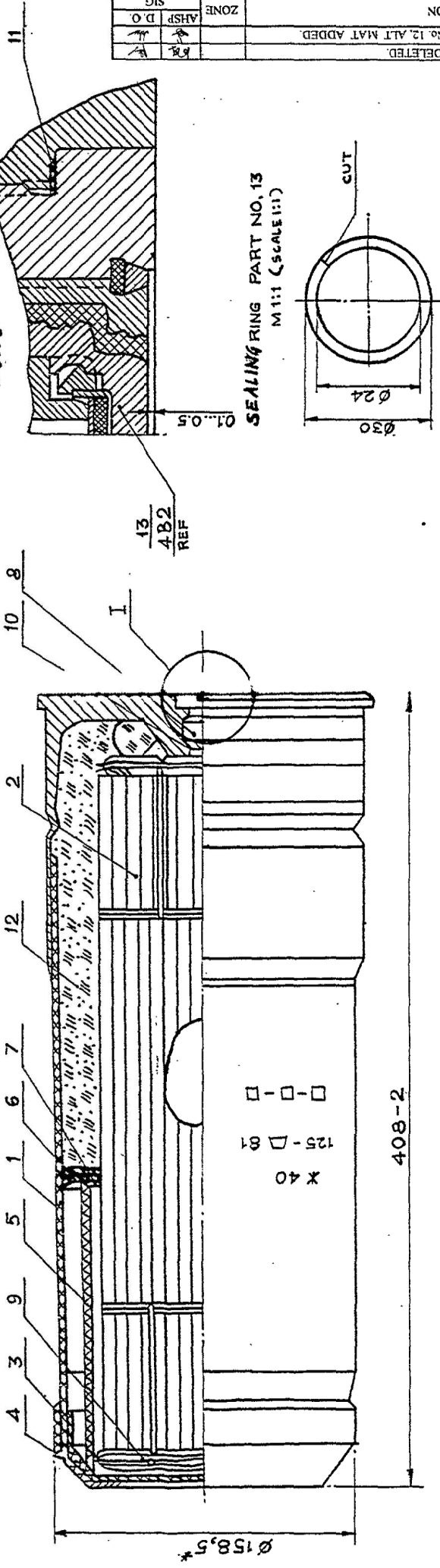


3-026892



Ref No	Designation	Nomenclature	Qty	Note	Ref No.	Designation	Nomenclature	Qty	Note
1.	C 6 1	Combustible case	1		13.		Modified Epoxy resin K-201 TY 6-05-1251-75		
2.	C 6 2	Powder section with igniters and flash reducing charge Cover	1		14.		Polyethylene polyamide A TY 6-02-594-75		
3.	8	Ram cover	1		15.		Paraffin wax 'A' GOST 16960-71		
4.	9	Cylinder	1		16.		Talc TP H GOST 19729-74		
5.	-	Disc II No 23 OST 84-796-78	1		17.		Varnish XB-5107 TY 6-10-1330-78		
6.	-	Disc IV No. 1 OST 84-796-78	1		18.		Rhodamine O - Ty-6-14- 1088-74		
7.	-	Combination case Ignition Primer PyB-7	1		19.		Enamel HU-25 red colour GOST 5406-73		
8.	4 B2	Decoppering agent dia 95-100 wire 1.25 GOST 5655-57	1	8/4	20.		Shellac Ty 84-226-71		
9.	11	Duplicate tag dia 25 mm; wrapping paper A-GOST 8275-75	1	8/4	21.		Nigrosin 'A' GOST- 9307-78		
10.	12	Sealing ring dia 30-24 mm Binding board B 0.5 GOST 7950-77	1	to 5 8/4	22.		Alcohol 'A' GOST 17299-78		
11.	---	Pyro powder 12/1 B/A TY 6AY No.5210.59			23.		Special nitromastic with talc OST B-84-75-75		

D. S. CAT NO. 1315-001024

3-026892 4K40

Combustible Case with propellant (Assembly)  
for 125 mm Gun type D 81

SCALE: 1:2 4 SHITS. SHT. 4

APPD. *Jamund* FOR C.I. (A)

AHSP: C. I. (A) KIRKEE

15-2-05	D. C. 37001-A	INDEX NOMEN. OF No 12 OR NOMEN. DELETED
14-6-97	D. C. 36298-A	UNDER NOMENCLATURE AGAINST REF. No 12. ALT MAT ADDED
REVISION	ZONE	SIG

R	DATE	AUTHORITY	REVISION	ZONE	AHSP	D. O	SIG