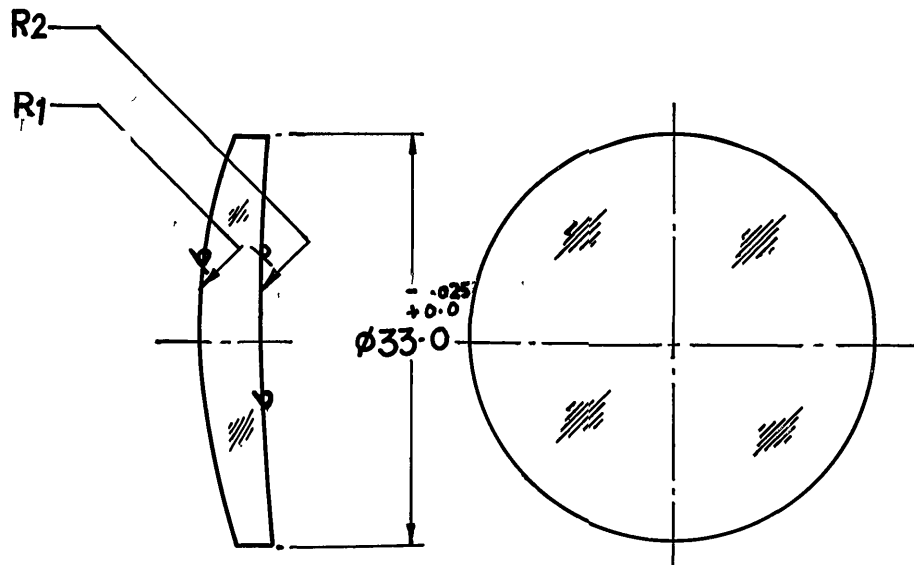


FOR EXPLANATION OF DIMENSIONING Etc., SEE CQA(I) GUIDE No 002-1992
 THIRD ANGLE PROJECTION DIMENSIONS ARE IN MILLIMETRES.



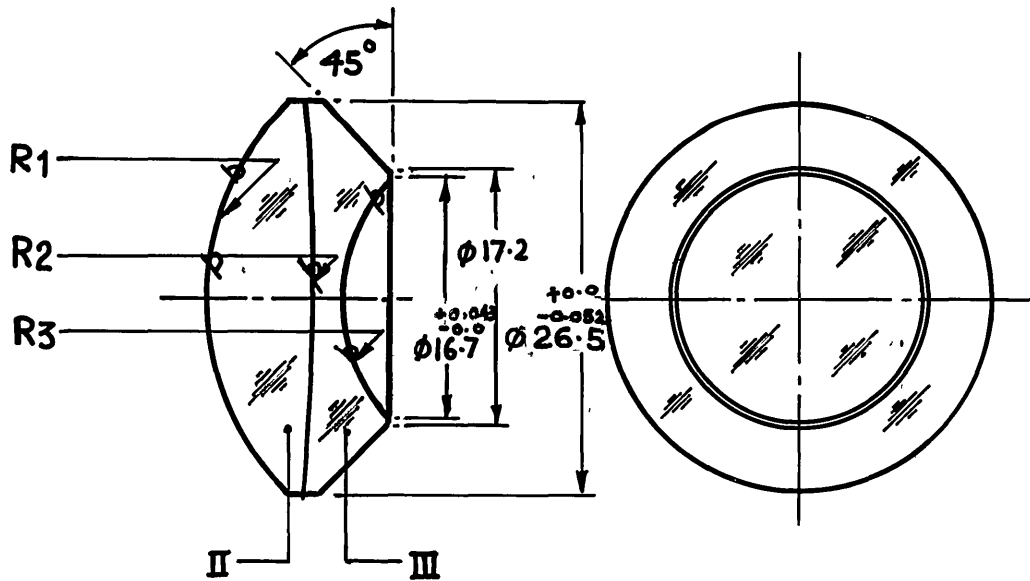
LENS No.	GLASS TYPE	Nd	V	R1	R2	CENTRAL THICKNESS	CLEAR APERTURE	FL
I	EDF 648338	1.64831	33.84	$\pm 0.5\%$ 39.0 VEX	$\pm 0.5\%$ 167.76 CAVE	± 0.048 -0.048 4.2	± 0.039 31.0	77.384

NOTE:- 1. SURFACES MARKED 'p' TO BE OPTICALLY POLISHED.
 2. SURFACES MARKED 'b' TO BE GIVEN BROAD BAND ANTIREFLECTION COATING (0.45μ TO 0.85μ) WITH AVERAGE INTEGRATED TRANSMISSION FIGURE AT 98%.

					DRN	<i>Heerpa</i>	APPROVED <i>Bon</i> for DIRECTOR IRDE, Debra Dun
					TRCD	<i>BKumar</i>	
					CHKD	<i>JK</i>	
	(a) D.C.5803-I NOM. AMENDED & CAT/PT.No. ADDED.				CHKD	<i>W</i>	Date: 12.6.89
	D.C.(I):-5402-I :- DRG. SEALED.						
SYM	AMENDMENTS	CHKD	SIG	DATE			
MATL & SPECN	SEE ABOVE				CAT PT.No	5855-000657 (a)	
FINISH	SEE ABOVE				DRG. No.	IRDE 2023/1	
TITLE (a)	LENS, OPTICAL INSTRUMENT No. 1				SCALE	2:1	SH - OF

D.C.(I):-5402-I.5803-I

FOR EXPLANATION OF DIMENSIONING Etc., SEE CQA(I) GUIDE No. 002-1992
 THIRD ANGLE PROJECTION DIMENSIONS ARE IN MILLIMETRES.



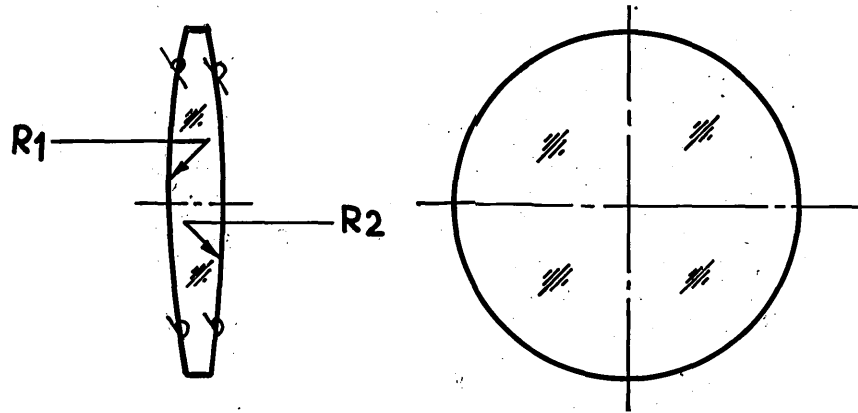
LENS No.	GLASS TYPE	Nd	V	R1	R2	R3	CENTRAL THICKNESS	CLEAR APERTURE	FL	EFL
II	LAC 697562	1.69734	56.19	$\pm 0.5\%$ 18.91 VEX	$\pm 0.5\%$ 201.0 VEX		± 0.058 7.0	± 0.052 24.5	25.114	
III	DF 626357	1.62588	35.70		$\pm 0.5\%$ 201.0 CAVE	$\pm 0.5\%$ 11.84 CAVE	± 0.04 -0.04 2.0	± 0.052 R2 24.5 R3 15.7	-17.8	-191.338

NOTE :- 1. SURFACES MARKED β TO BE OPTICALLY POLISHED.
 2. SURFACES MARKED β TO BE GIVEN BROAD BAND ANTIREFLECTION COATING (FROM 0.45μ TO 0.85μ) WITH AVERAGE INTEGRATED TRANSMISSION FIGURE AT 98%.

						DRN.	<i>thesan</i>	APPROVED <i>[Signature]</i> for DIRECTOR IRDE, Dehra Dun		
						TRCD	BKumar			
						CHKD	<i>[Signature]</i>			
	(a) D.C. 5803-I. NOM. AMENDED & CAT/PT. No. ADDED					<i>lw</i>	212 93	CHKD	<i>[Signature]</i>	Date: 12.6.89
	D.C.(I):-5402-I. DRG. SEALED.				<i>Fruth</i>	<i>U</i>	18.8.90			
SYM	AMENDMENTS				CHKD	SIG	DATE			
MATLA SPECN	SEE ABOVE							CAT PT. No.	5855-000656 (a)	
FINISH	SEE ABOVE							DRG. No.	IRDE 2023/2	
TITLE (a)	LENS, OPTICAL INSTRUMENT No II & III							SCALE	2:1	SH - OF

D.C.(I):-5402-I.5803-I.

FOR EXPLANATION OF DIMENSIONING Etc, SEE CQA(1) GUIDE No 002-1992
 THIRD ANGLE PROJECTION DIMENSIONS ARE IN MILLIMETRES.



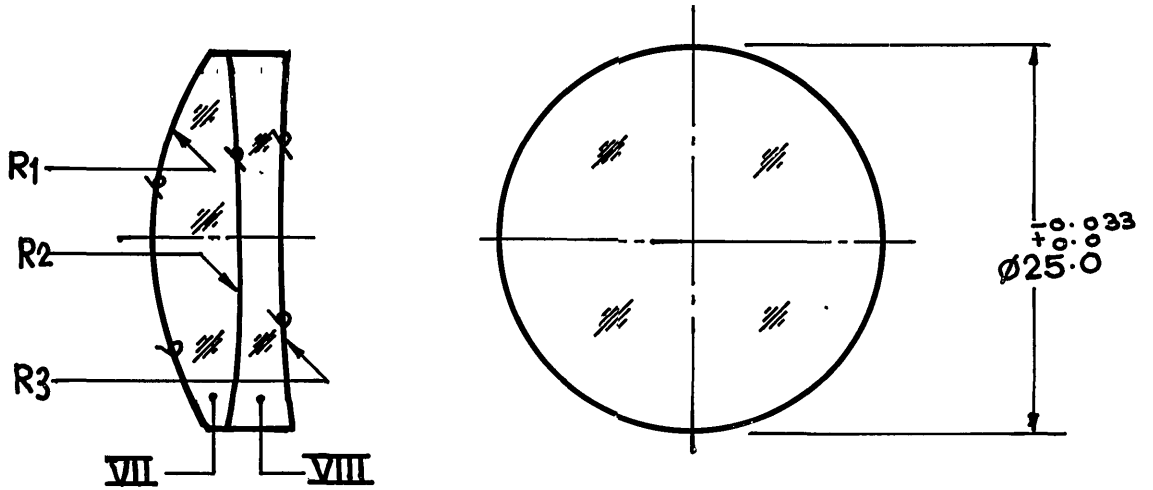
LENS NO.	GLASS TYPE	Nd	V	R1	R2	CENTRAL THICKNESS	CLEAR APERTURE	DIA	FL
VI	LAC 697562	1.69734	56.19	$\pm 0.5\%$ 53.065 VEX	$\pm 0.5\%$ 115.567 VEX	$+0.048$ -0.048 3.5	$+0.052$ -0.0 22.0	-0.023 $+0.0$ 24.0	52.598

NOTE:- 1. SURFACES MARKED 'p' TO BE OPTICALLY POLISHED.
 2. SURFACES MARKED 'b' TO BE GIVEN BROAD BAND ANTIREFLECTION COATING (FROM 0.45 μ TO 0.85 μ) WITH AVERAGE INTEGRATED TRANSMISSION FIGURE AT 98%.

					DRN	<i>Senka</i>	APPROVED <i>BKumar</i> for DIRECTOR IRDE, Dehra Dun	
					TRCD	<i>BKumar</i>		
					CHKD	<i>sh</i>		
	(a) D.C. 5803-I, NOM. AMENDED & CAT/PT. No. ADDED			<i>sh</i>	<i>sh</i>	212 93	CHKD <i>BKumar</i>	Date 12.6.89
	D.C. (1):-5402-I :- ORG. PROV. SEALED.			<i>Smith</i>	<i>sh</i>	18.8.90		
SYM	AMENDMENTS			CHKD	SIG	DATE		
MATL & SPECN	SEE ABOVE						CAT PT.No.	5855-000658 (a)
FINISH	SEE ABOVE						DRG. No.	IRDE 2023/4
TITLE (a)	LENS, OPTICAL INSTRUMENT No VI						SCALE	2:1 SH - OF

D. C. (1):-5402-I. 5803-I.

FOR EXPLANATION OF DIMENSIONING Etc., SEE I.C.Q.A.(I).GUIDE No.002-1992
THIRD ANGLE PROJECTION DIMENSIONS ARE IN MILLIMETRES.



LENS No	GLASS TYPE	Nd	V	R ₁	R ₂	R ₃	CENTRAL THICKNESS	CLEAR APERTURE	FL	EFL
VII	LAC 697562	1.69734	56.19	$\pm 0.5\%$ 22.455 VEX	$\pm 0.5\%$ 103.16 VEX		$\begin{matrix} +0.048 \\ -0.048 \end{matrix}$ 6.0	$\begin{matrix} +0.033 \\ -0.000 \end{matrix}$ 23.0	26.974	37.29
VIII	DEDF 717295	1.71736	29.51		$\pm 0.5\%$ 103.16 CAVE	$\pm 0.5\%$ 148.97 CAVE	$\begin{matrix} +0.04 \\ -0.024 \end{matrix}$ 2.56	$\begin{matrix} +0.033 \\ -0.000 \end{matrix}$ 23.0	-84.61	

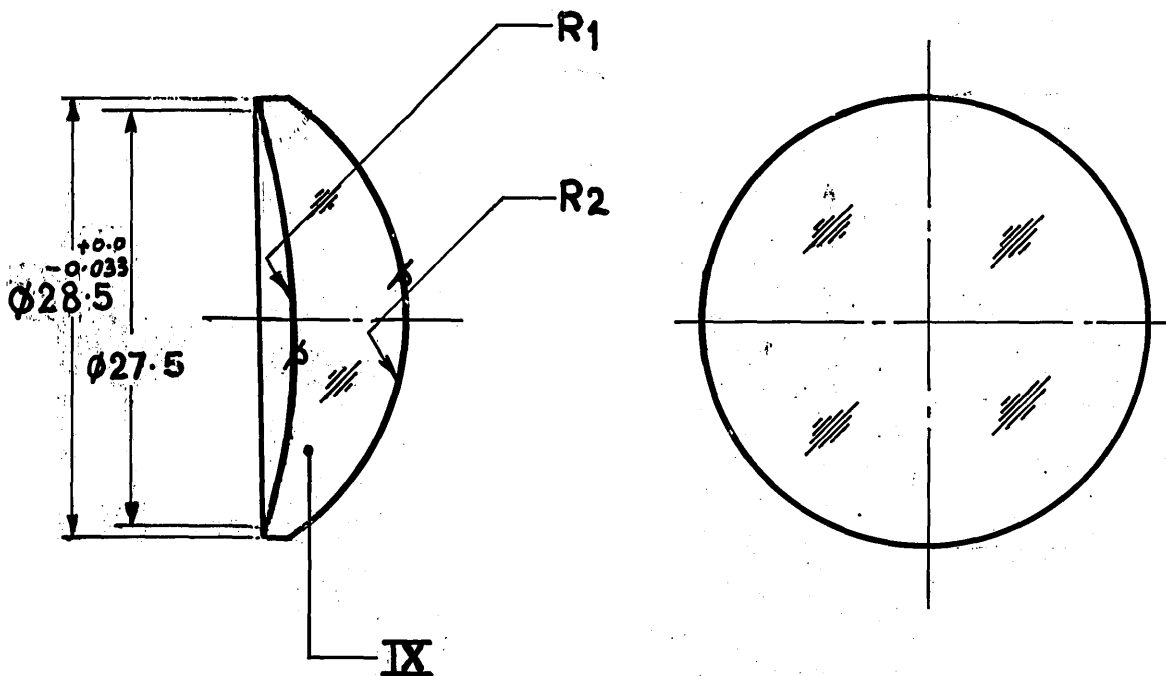
NOTE:-

1. SURFACES MARKED 'p' TO BE OPTICALLY POLISHED.
2. SURFACES MARKED 'b' TO BE GIVEN BROAD BAND ANTIRE FLECTION COATING (FROM 0.45 μ TO 0.85 μ) WITH AVERAGE INTEGRATED TRANSMISSION FIGURE AT 98%.

					DRN	<i>BKumar</i>	APPROVED <i>[Signature]</i> DIRECTOR IRDE, Dehra Dun	
					TRCD	<i>BKumar</i>		
					CHKD	<i>[Signature]</i>	Date: 12.6.89	
	(a) D.C.5803-I. NOM. AMENDED & CAT/PT.No. ADDED			<i>[Signature]</i>	212 93			
	D.C.(I):-5402-I, DRG. SEALED.			<i>[Signature]</i>	18.8.90			
SYM	AMENDMENTS	CHKD	SG	DATE				
MAT'L & SPECN.	SEE ABOVE						CAT PT.No	5855-000654 (a)
FINISH	SEE ABOVE						DRG No	IRDE 2023/5
TITLE (a)	LENS, OPTICAL INSTRUMENT No VII & VIII						SCALE	2:1 SH OF

D.C.(I):-5402-I.5803-I

FOR EXPLANATION OF DIMENSIONING Etc, SEE TQA(I) GUIDE No.002-1992
 THIRD ANGLE PROJECTION DIMENSIONS ARE IN MILLIMETRES.



LENS No.	GLASS TYPE	Nd	V	R1	R2	CENTRAL THICKNESS	CLEAR APERTURE	FL
IX	LAK N7 652585	1.6516	58.52	$\pm 0.5\%$ 48.5 CAVE	$\pm 0.5\%$ 17.8 VEX	$+0.036$ -0.036 7.5	$+0.052$ -0.0 27.0	39.4

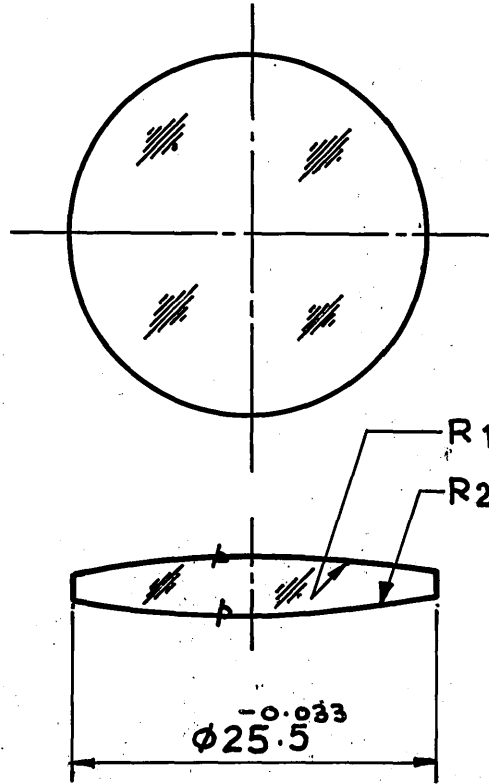
NOTE :-

SURFACES MARKED 'P' TO BE OPTICALLY POLISHED AND TO BE GIVEN ANTIREFLECTION COATING FOR 0.55μ (MIN TRANSMISSION TO BE 97%.)

					DRN	B Kumoy	APPROVED for DIRECTOR
					TRCD	B Kumoy	
	(b) D.C.:- 6241-I. NOM. AMENDED.				CHKD	efb	IRDE, Debra Bora
	(a) D.C.5803-I.NOM.AMENDED & CAT/PT.No. ADDED			24/12/93	CHKD	efb	Date: 12.6.89
	D.C.(I):-5402-I:- DRG. SEALED.			18.8.90			
SYM	AMENDMENTS	CHKD	SIG	DATE			
MATL & SPECN	SEE ABOVE				CAT PT.No	5855-000653 (a)	
FINISH	SEE ABOVE				DRG No.	IRDE 2023/6	
TITLE (a)	LENS, OPTICAL INSTRUMENT No IX (b)				SCALE	2:1	SH. OF

D.C.(I):-5402-I.5803-I,6241-I

FOR EXPLANATION OF DIMENSIONING Etc, SEE COACH GUIDE No.002-1992
 THIRD ANGLE PROJECTION DIMENSIONS ARE IN MILLIMETRES.



LENS No	GLASS TYPE	Nd	V	R1	R2	CENTRAL THICKNESS	CLEAR APERTURE	FL
X	LAK N7 652585	1.6516	58.52	±0.5% 60.0 VEX	±0.5% 70.0 VEX	+0.048 -0.048 4.2	+0.052 -0.0 24.0	50.2

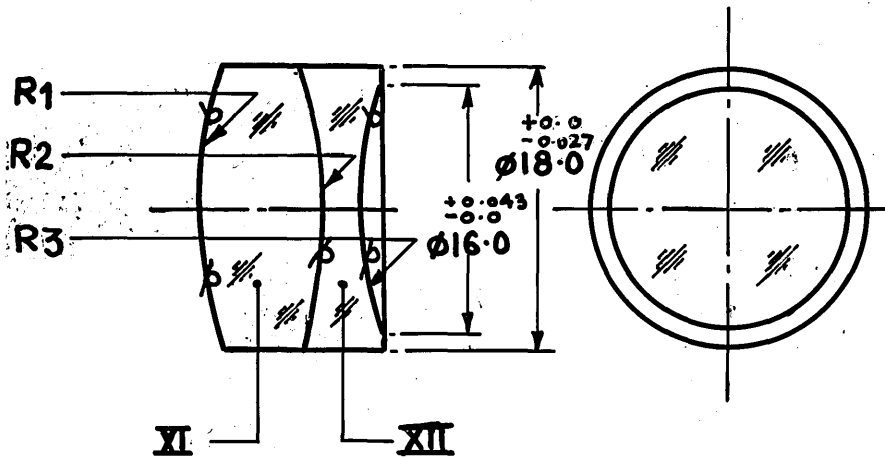
NOTE:-

SURFACES MARKED 'P' TO BE OPTICALLY POLISHED AND TO BE GIVEN ANTIREFLECTION COATING FOR 0.55μ (MIN TRANSMISSION 97%.)

D.C.(I)-5402-I-5800-I, 6241-I.

					DRN	<i>Sharma</i>	APPROVED <i>[Signature]</i> for DIRECTOR IRDE, Dehra Dun.
					TRCD	<i>BKumar</i>	
	(b) D.C.:-6241-I. NOM. AMENDED:				CHKD	<i>g/s</i>	Date: 12.6.89
	(a) D.C.5803-I.NOM.AMENDED & CAT/PT.No.ADDED				CHKD	<i>[Signature]</i>	
	D.C.(I)-5402-I:- DRG..SEALED.						
SYM	AMENDMENTS	CHKD	SIG	DATE			
MATL & SPECN	SEE ABOVE				CAT PT.No.	5855-000655 (a)	
FINISH	SEE ABOVE				DRG. No.	IRDE 2023/7	
TITLE (a)	LENS, OPTICAL INSTRUMENT No X (b)				SCALE	2:1	SH. OF

FOR EXPLANATION OF DIMENSIONING Etc, SEE CQA(I) GUIDE No. 002-1992
 THIRD ANGLE PROJECTION DIMENSIONS ARE IN MILLIMETRES.



LENS NO.	GLASS TYPE	Nd	V	R1	R2	R3	CENTRAL THICKNESS	CLEAR APERTURE	FL	EFL
XI	DBC 620603	1.62041	60.33	$\pm 0.5\%$ 26.0 VEX	$\pm 0.5\%$ 41.96 VEX		± 0.036 8.0 -0.036	± 0.043 16.0 -0.0	27.1	-262.63
XII	EDF 699301	1.69895	30.07		$\pm 0.5\%$ 41.96 CAVE	$\pm 0.5\%$ 22.8 CAVE	± 0.048 2.56 -0.048	± 0.043 16.0 -0.0	-20.8	

NOTE :-

1. SURFACES MARKED 'p' TO BE OPTICALLY POLISHED.
2. SURFACES MARKED 'b' TO BE GIVEN ANTIREFLECTION COATING FOR 0.55μ (MIN, TRANSMISSION TO BE 97%)
3. LENSES TO BE CEMENTED TOGETHER AS SHOWN.

					DRN	<i>Reason</i>	APPROVED <i>W.D.</i> for DIRECTOR IRDE, Dehra Dun Date: 12-6-89	
					TRGD	<i>Bkumar</i>		
					CHKD	<i>ff</i>		
	(a) D.C. 5803-I. NOM. AMENDED & CAT/PT. No. ADDED			<i>ms</i>	<i>hr</i>	2 12 93		CHKD
	D.C. (I): -5402-I: - DRG- SEALED.			<i>Frath</i>	<i>ll</i>	18.8.90		
SYM	AMENDMENTS			CHKD	SIG	DATE		
MATL & SPECN	SEE ABOVE						CAT PT. No	5855-000652 (a)
FINISH	SEE ABOVE						DRG No	IRDE 2023/8
TITLE (a)	LENS, OPTICAL INSTRUMENT No XI & XII						SCALE	2:1 SH - OF

D.C.(I)-5402-I.5803-I