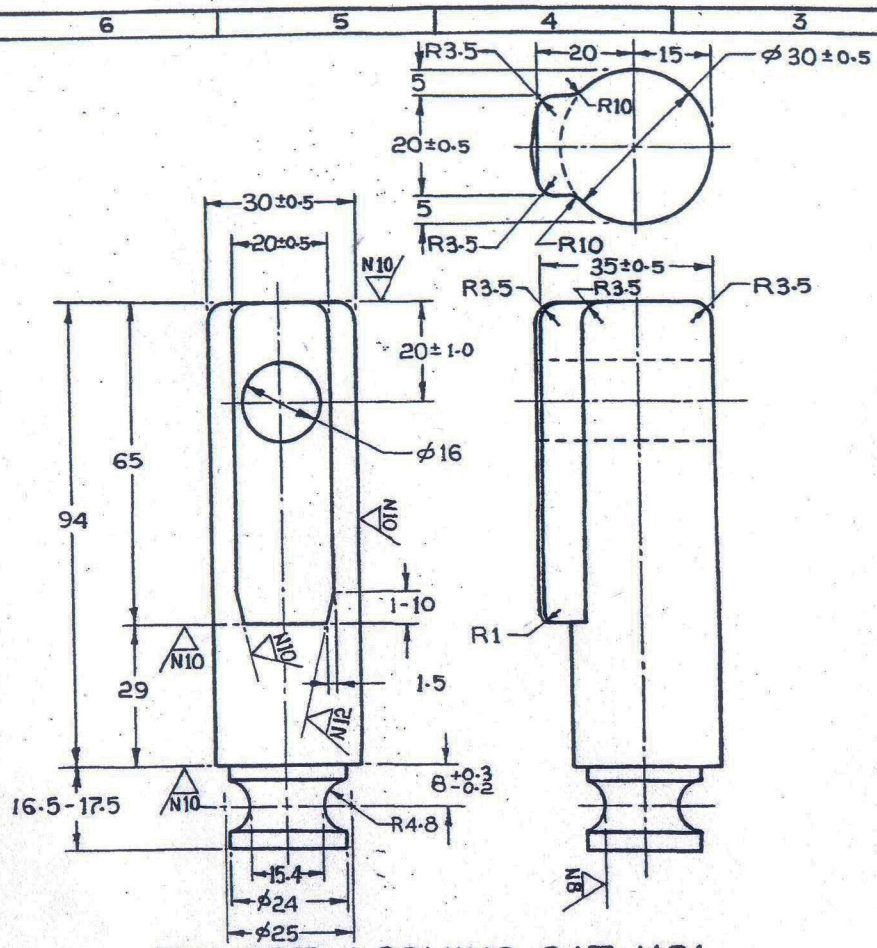


IMPD-0983



PIN FOR LOCKING CAT-1101
(BOLT CSK M 10×35)

NOTE
 1. REMOVE BURRS FROM BORES.
 2. GALVANIZED AND CHROMATIZED TO 20-30μ.

MATL: MR St 37-2.
 ALTERNATIVE MATL- STEEL, UTS 420 MPa (min.)

COPY ISSUED BY CDD/NEAJ
 यह प्रति सी डी डी/ओ.एफ.ए.के.
 द्वारा की गई है।
 दिनांक: 07-07-19
 अनुभाग प्रमुख
 NOS/CDD

DRG BASED ON CAT No. 1101. DS No. 14/5306-004017.

A	DC(I)	DATE	ZONE	BRIEF RECORD	SIG	DRN	DRG NOT TO BE SCALED.	PERTAINS TO:- IMSA-016780168	
						TC D	S. M. BAKSHI		ALL SHARP EDGES & CORNERS TO BE ROUNDED OFF.
						CH D	<i>[Signature]</i> SL		ALL DIMENSIONS ARE IN mm UNLESS OTHERWISE SPECIFIED.
						PSD	<i>[Signature]</i> ACIE (DRG)		NOMENCLATURE
						APPD	<i>[Signature]</i>		AS STATED
						DATE	23/1/87	IMPD-0983	
						TOLERANCE UNLESS OTHERWISE SPECIFIED	SCALE:- 1:1		
						GEN DEC ANG	CONTROLLERATE OF INSPECTION ENGINEERING EQPT		
						MEDIUM IS: 2102			