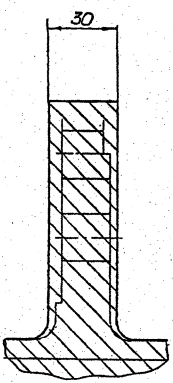
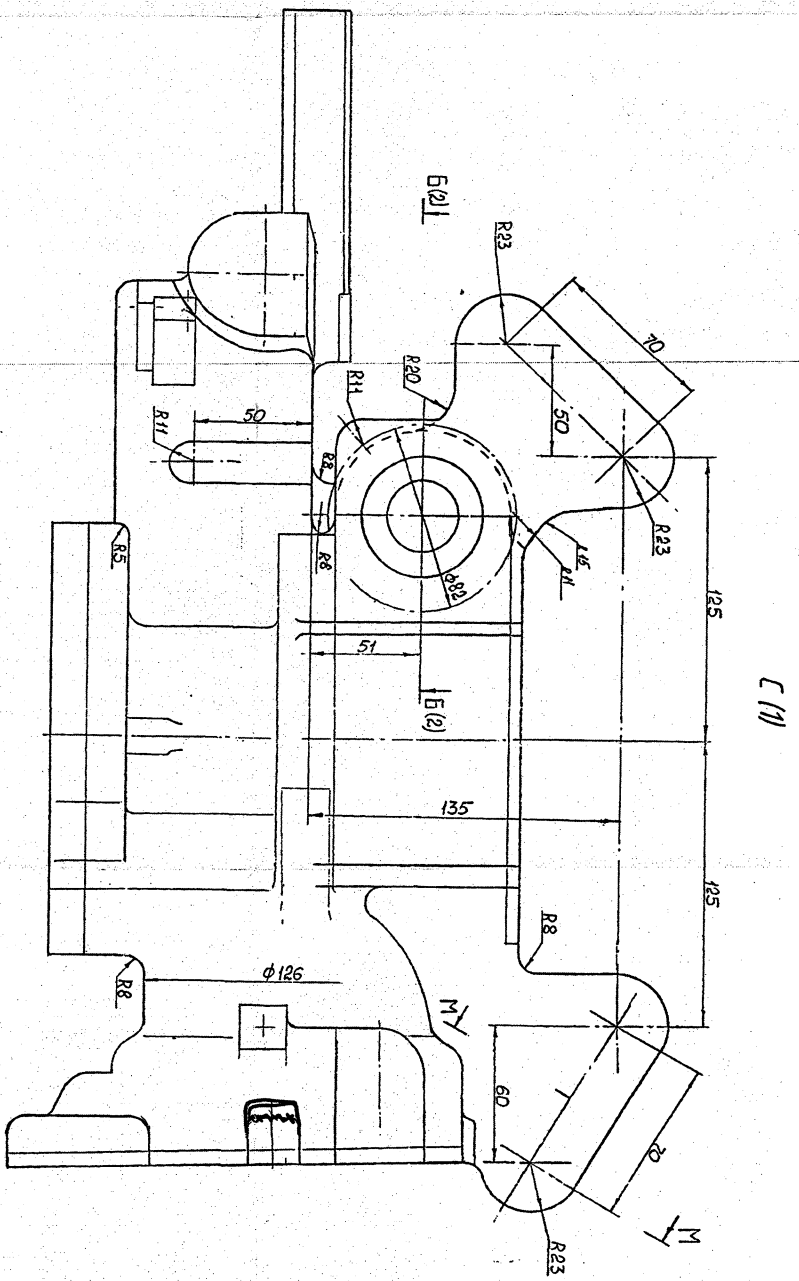


176.23.001-1 / C CASTING
HOUSING



M-MO

[Signature]
Jain Items
Approved
After Revision

[Signature]
After
Approved

MATERIAL	CASTING WT	T 30
ALT. MATERIAL	HANDER	SCALE
DRAWN	CHECKED	APPROVED
DRAWING NO. 176.23.001-1		
NOMENCLATURE: HOUSING		
HEAVY VEHICLES FACTORY		
AVADI, CHENNAI		