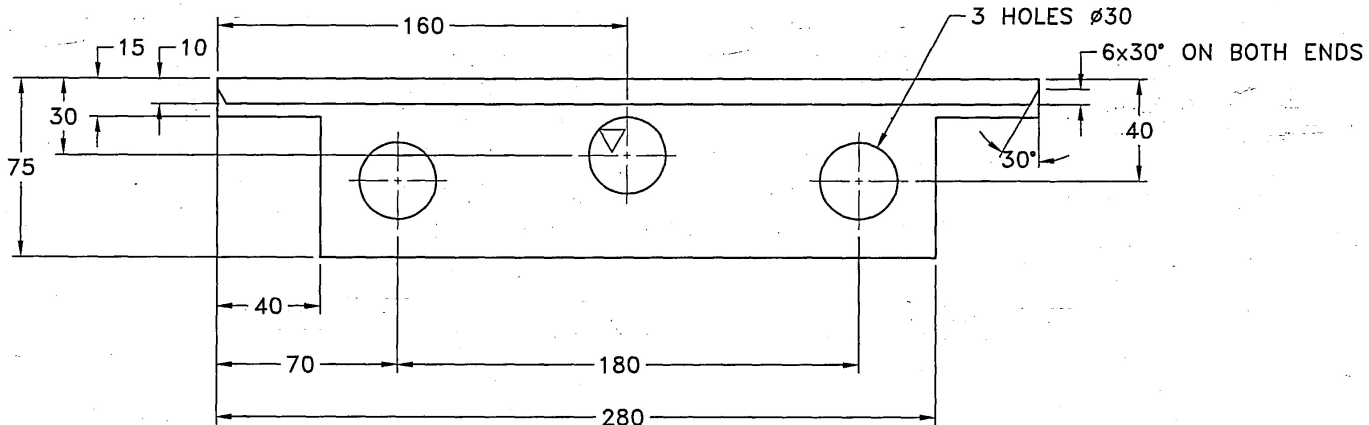


DRG. NO. **V572 0175 7001** ISSUE

2

1

LINEAR DIMENSIONS	0.5-3	3-6	6-30	30-120	120-315	315-1000	1000-2000
DEVIATIONS IF UNSPECIFIED	± 0.1	± 0.1	± 0.2	± 0.3	± 0.5	± 0.8	± 1.2
DIMENSION							
LIMITS							



ISSUE	DATE	NATURE OF AMENDMENTS
A.	11.11.11	Lt. No. 55159/CQA(IHV)/DB/CIA/T-72 Dt. 15 Sep 2011

SEALED DRG *Pandurengan* 8/12/11 ~ (▽)

NOTE:-

- (a) STEEL TO SPEC IS : 2062 Fe 410 WA  
(b) HOT ROLLED UNEQUAL LEG ANGLE TO IS:808 (PART VI) ISA 10075.
  - REMOVE SCALES AND BURRS AFTER MACHINING.
  - RED-OXIDE PAINTING IS TO BE DONE TO SPECN. JSS: 3-47-13 CQAEM/SS/133 SHADE CODE-446 FOR PRIMER FINISH (or) IS:2074-1992.
  - USED ON DRG.No.s ARE V572 0175 0118 (3 OF 3), 0318 (3 OF 3), 0618 (3 OF 3), V572 0175 0445, V572 0175 0845, 0444 & 0844.
- Ⓐ CQA(IHV)5-01-004

ROUGHNESS SYMBOL	~	▽	▽▽	▽▽▽	▽▽▽▽	ROUGHNESS VALUE	50-25	25-6.3	6.3-0.8	0.8-0.1	< 0.1	ISSUE	AMENDMENTS
MATL	REFER NOTE NO.1										Est. wt : 3.652 Kg		
DRN	STS	CAD	STS	DIMENSIONS IN 'mm.				STAMP PART NO. MANUFACTURER'S NAME & YEAR					
CHD	NB	COMP	AD	DRG. NOT TO BE SCALED				REMOVE ALL BURRS					
PASSED	<i>Pandurengan</i>			R.PANDURENGAN TO 'C'		SCALE 1 : 2		USED ON REFER NOTE.4					
APPROVED	<i>Pandurengan</i>			V.R.PREMKUMAR Sct 'E'		DATE 24.8.2001		DRG. NO. V572 0175 7001					
TITLE BARRIER								SHEET OF					

COMBAT VEHICLES RESEARCH AND DEVELOPMENT ESTABLISHMENT

2

1