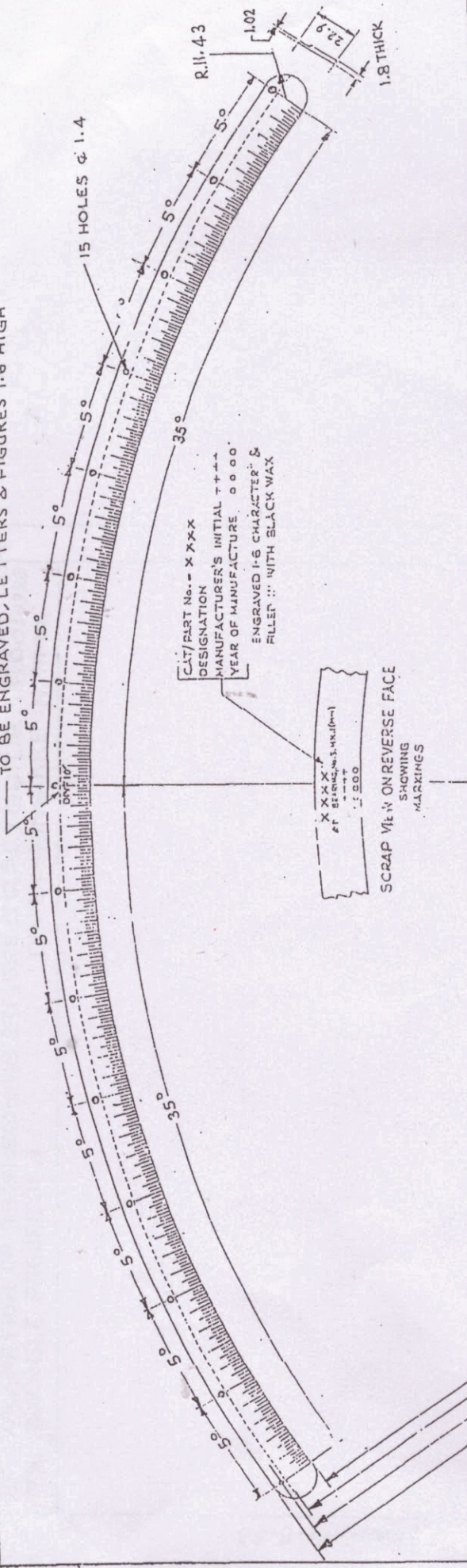


TO BE ENGRAVED, LETTERS & FIGURES 1.6 HIGH



AMENDMENTS		CHD	SIG	DATE
D.C. 5756-I, DRG. REDUCED & NEW COPY SEALED IN SUPERSESSION OF EXISTING ONE.		5		27-8-93.
<p><b>FOR TRADE CHM</b>  <b>Date of Issue: 15/08/93</b>  <b>Rji</b></p>				
FOR EXPLANATION OF DIMENSIONING ETC., SEE COA (1)	DAN	Sdy-	APPROVED	
CHIL No 001-1992.	1CD	Sdy-	FOR CONTROLER	
THIRD ANGLE PROJECTION	CHD	Sdy-	COA (1) DOWN	
DIMENSIONS ARE IN MM	CHD	Sdy-	DATE:-	
MATL & SPEC:-	USED			
BRASS: 1: 410 / Cu Zn 57 (1)	ON			
OR NICKEL SILVER,	BASED			
1S: 3332 / Cu Ni 18 Zn 27 (H)	ON			
	CAT/PT			
	Nc			
FINISH & SPEC:-	DRG			
CAC PLATED	No.			
	SCALE			
			SH	OF
				CII-253/1

ENGRAVING:-  
 GRADUATION INDICATING 5° DEGREES  
 18.3 HIGH  
 12.7  
 10.0  
 7.62  
 5.084  
 2.54  
 WIDTH OF GRADUATIONS  
 GRADUATIONS TO BE APPROPRIATELY ENGRAVED DEEP ENOUGH, AND FILLED WITH BLACK WAX.

X X X X  
 CAT/PIST No. 5-143 (H-1)  
 .500  
 SCRAP VIEW ON REVERSE FACE  
 SINKING MARKINGS

D.C. (1) :- 566-I, 1718-I, 1749-I, 4265-I, 4416-I, 5756-I.

REDUCED DRG. PREPARED BY (XMA) T. J. BARRA; JUN  
 PREPARED BY: T. J. Barr  
 CHECKED BY: Jm  
 DATE: 14.8.93

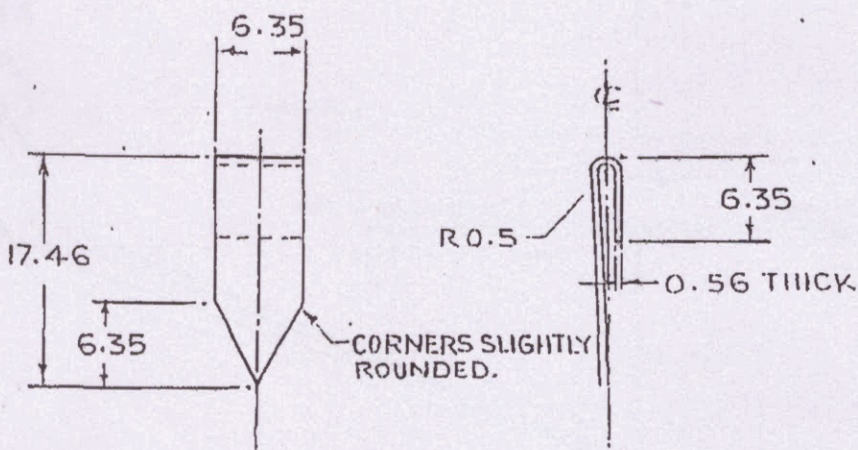
ARC, BEARING



50

FOR EXPLANATION OF DIMENSIONING ETC., SEE CQA(1) GUIDE No. 001-1992-  
THIRD ANGLE PROJECTION DIMENSIONS ARE IN mm.

POLYESTER NEGATIVE PREPARED AT COA(I) D, DUM  
PREPARED BY: *V. S. Ramani*  
CHECKED BY: *fy* DATE: 14-8-93



FOR TRADE USE  
Date of Issue *15/01/2011*  
*kgi*

D.C.(I):- 1566-I, 4265-I, 5756-I, 7014-I  
TRACED AT CII, DEHRADUN  
TRACED BY: *mm*  
CHECKED BY: *mm*  
DATE: 31.1.81

			DRAWN Sd/-	TRACED Sd/-	APPROVED Sd/-
(a) D.C. 7014-I. CAT / PT. No. ADDED.	<i>dw</i>	20-9-07	CHECKED Sd/-   Sd/-		for CHIEF INSPECTOR CII, DEHRADUN
D.C. 5756-I. POLY. NEG. PREPARED & NEW COPY SEALED IN REPLACEMENT OF EXISTING ONE.	<i>W</i>	27-8-93	SCALE:- 2:1		DATE:- 1.6.67
D.C. (I):- 4265-I. DRG. METRICISED & SEALED IN SUPERSESSION OF EXISTING ONE.	<i>V</i>	10-3-81	DRAWING No.		
D.C. (I):- 1566-I. DRG. SEALED.	Sd/-	2-6-67	CII-253/2		
AMENDMENTS	SIG	DATE	CAT/PART No.		
MATL:- PHOSPHOR BRONZE, IS:1385			V6/6730-000794		
FINISH:- BRONZED			SHEET		
POINTER			SHEET		