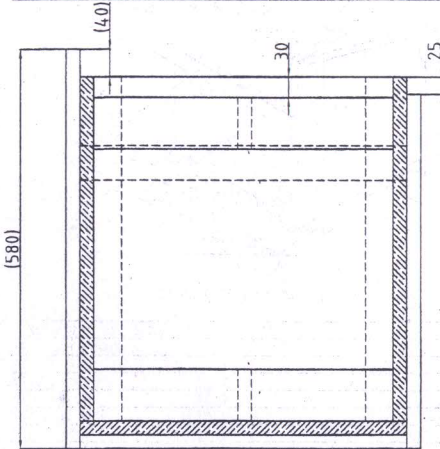
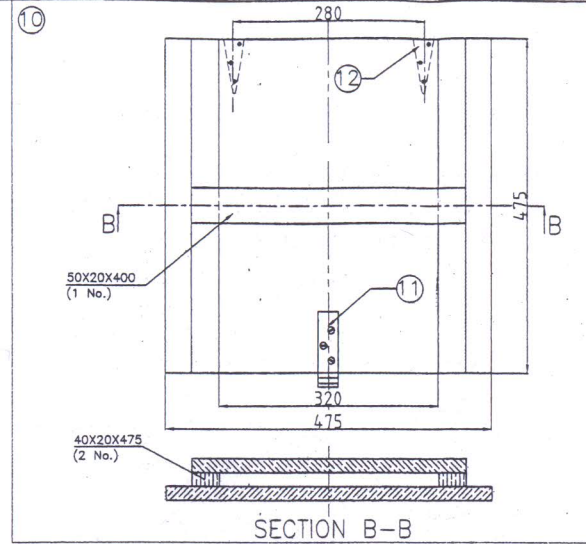
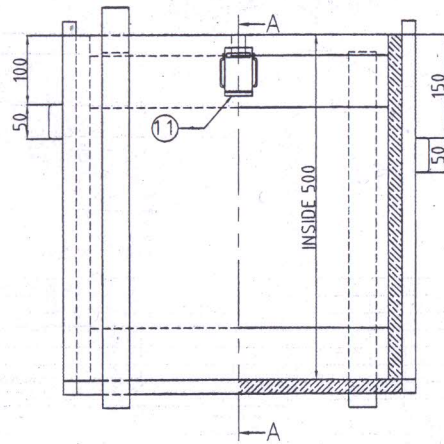
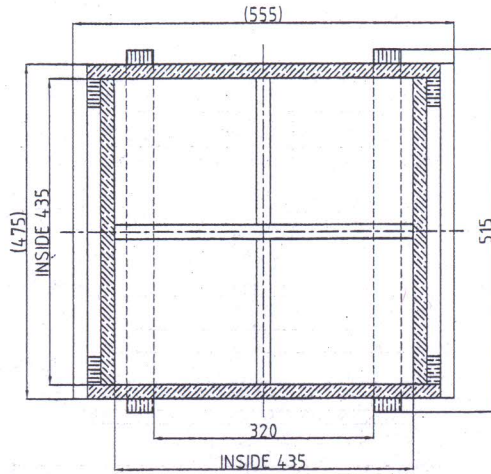


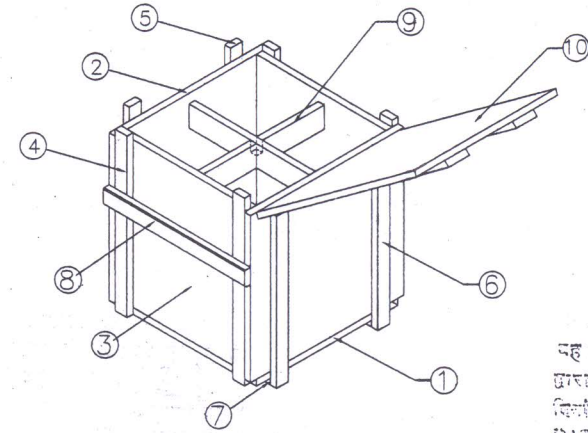
DRG. NO. SK-1424 'A'



SECTION A-A

NOTE:

- 1) MATERIAL: MANGO, SALAI, MOVAL.
- 2) TIMBER SHALL BE REASONABLY STRAIGHT GRAINED AND FREE FROM BRUSHNESS, ANY KIND OF DECAY, INSECTS ATTACK, OBJECTIONABLE KNOTS, SPLITS, WARPING OR ANY OTHER DEFECT WHICH WILL REDUCED THE STRENGTH AND DURABILITY OF THE STORE. THE WOOD USED SHOULD BE PROPERLY SEASONED AND FREE FROM ALL DEFECTS.
- 3) IRON NAILS CAN BE USED ON JOINTS, NAIL LENGTH TO BE USED SHOULD BE APPROX 2 TIMES THE THICKNESS OF PLANK. IN CASE OF ANY PROJECTION/PROTRUSION IT SHOULD BE FLUSHED.
- 4) TO BE PAINTED ALL OVER OUTSIDE & INSIDE WITH PAINT TO I.S.-168 OF OLIVE GREEN TO IS-C 220 SUPPLIER SHOULD ISSUE GUARRANTEE CERTIFICATE FOR THE PAINT USED.
- 5) CATCH LOCKING & CATCH ENGAGING (1) & STRAP HINGE (12) WILL BE PROCURED AND WILL BE FITTED BY SUPPLIER.
- 6) INSIDE DIMM. OF BOX 435X435X500 WITH ALL PLANKS OF 20 mm THICK.
- 7) TENDER SHOULD CLEARLY INDICATE IN QUOTATION WHICH SPECIES OF TIMBER ARE INTENDED TO BE USED OTHERWISE THE QUOTATION WILL BE INVALID. THE BOXES WILL BE REPLACED FREE OF COST IF ANY DEFECT IS NOTICED AT A LATER DATED.
- 8) ALTERNATE MATERIAL FOR ITEM No. 1, 2, 3, 4, 10 - 18/19 mm THICK COMMERCIAL PLYWOOD.



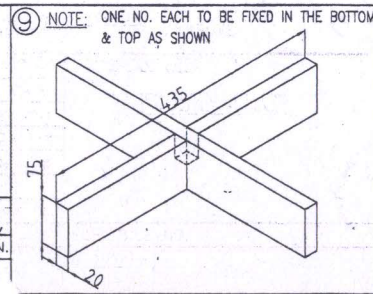
ASSEMBLY WITHOUT PART NO. (1) & (12)

RECEIVED BY HOS/CDD  
 यह प्रति को. डी. असे./ओ. डी. ए. को.  
 प्राप्त की गई है।  
 दिनांक  
 DATE 19.17  
 कर्मचारी मुख  
 HOS/CDD

PART NO.	DESCRIPTION	NO.OFF	MATERIAL	REMARKS
12	STRAP HINGE (MEDIUM WEIGHT TYPE 2)-SIZE 100	2		AS PER IS 206:2010
11	CATCH LOCKING & CATCH ENGAGING	1		AS PER DRG. NO.- MISC/SK 254 OR EQUIVALENT
10	TOP COVER SET	1		SEE DETAILED VIEW
9	DIVIDER SET	2		SEE DETAILED VIEW
8	HORIZONTAL SUPPORTING RIB	2	475X50X20	
7	BASE RIB	2	475X40X20	
6	VERTICAL SUPPORTING RIB C	2	515X40X20	
5	VERTICAL SUPPORTING RIB B'	2	580X40X20	
4	VERTICAL SUPPORTING RIB A	4	540X40X20	
3	SIDE PLANK B	2	500X435X20	
2	SIDE PLANK A	2	515X500X20	
1	BOTTOM PLANK	1	475X475X20	

PART LIST

DIMENSIONS ARE IN mm		MATERIAL: AS ABOVE	
THIRD ANGLE PROJECTION		NOMENCLATURE:	
SCALE: N.T.S.		WOODEN CRATE	
2017	NAME	DATE	
DRAWN	<i>[Signature]</i>	30.5.17	
CHECKED	<i>[Signature]</i>	30.5.17	
HOS/CDD	<i>[Signature]</i>	30.5.17	
AWM/QC	<i>[Signature]</i>	30.5.17	
SCHEDULE NO.		COMPT: DUMMY CHARGE	
STORE:		125 mm SCC	



NOTE: ONE NO. EACH TO BE FIXED IN THE BOTTOM & TOP AS SHOWN

REV.	DATE	DESCRIPTION	SIGN.
143	24-08		
2017	2017	NOTE NO. 8 ADDED. DRAWING NO. ADVANCED TO 'A'.	<i>[Signature]</i>
AMENDMENTS			

FOR REF. OUTER SIZE OF BOX 555X515X580