

P-76/23/1

SIGHT HEAVY MORTAR.

ADAPTER.

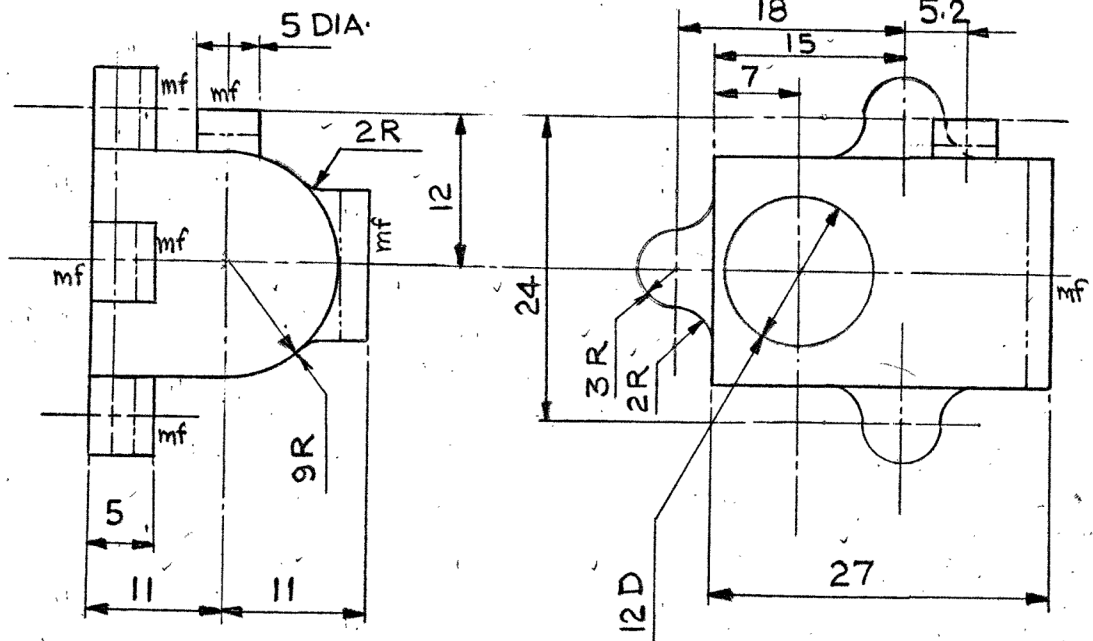
(CASTING DRAWING)

(SAND CASTING)

DRG. NO.
IRDE-68/66

DRG. No. O.D.D/C/443

ORDNANCE FACTORY DEHRA DUN



NOTE:—

1. MACHINING ALLOWANCES ADDED BUT SHRINKAGE ALLOWANCES ARE NOT INCLUDED IN CASTING DRG.
2. SURFACES MARKED 'mf' INDICATE MACHINING.
3. COMPT. DRG. SHOWN IN CHAIN DOTTED LINES
4. DIMENSIONS ARE IN M.M.

MATL:— AL. ALLOY (IS. 617/A-10W OR IIWP)

INTRODUCED VIDE DA-53/70

D.A. No. 5/77 MATL. SPECN. AMENDED		DR. केशव चंद्र मिश्रा	DI-7-5-70	SCALE: 2:1
		TR. Y.S. TOMAR	MATL. AS ABOVE	TREAT. —
		CH. G. L. JETHI	SHEETS: 1	SHEET NO. 1
AMENDMENTS		APPROVED Sd/- M.L. GUPTA AM/P.1	DRG. No. O.D.D/C/443	