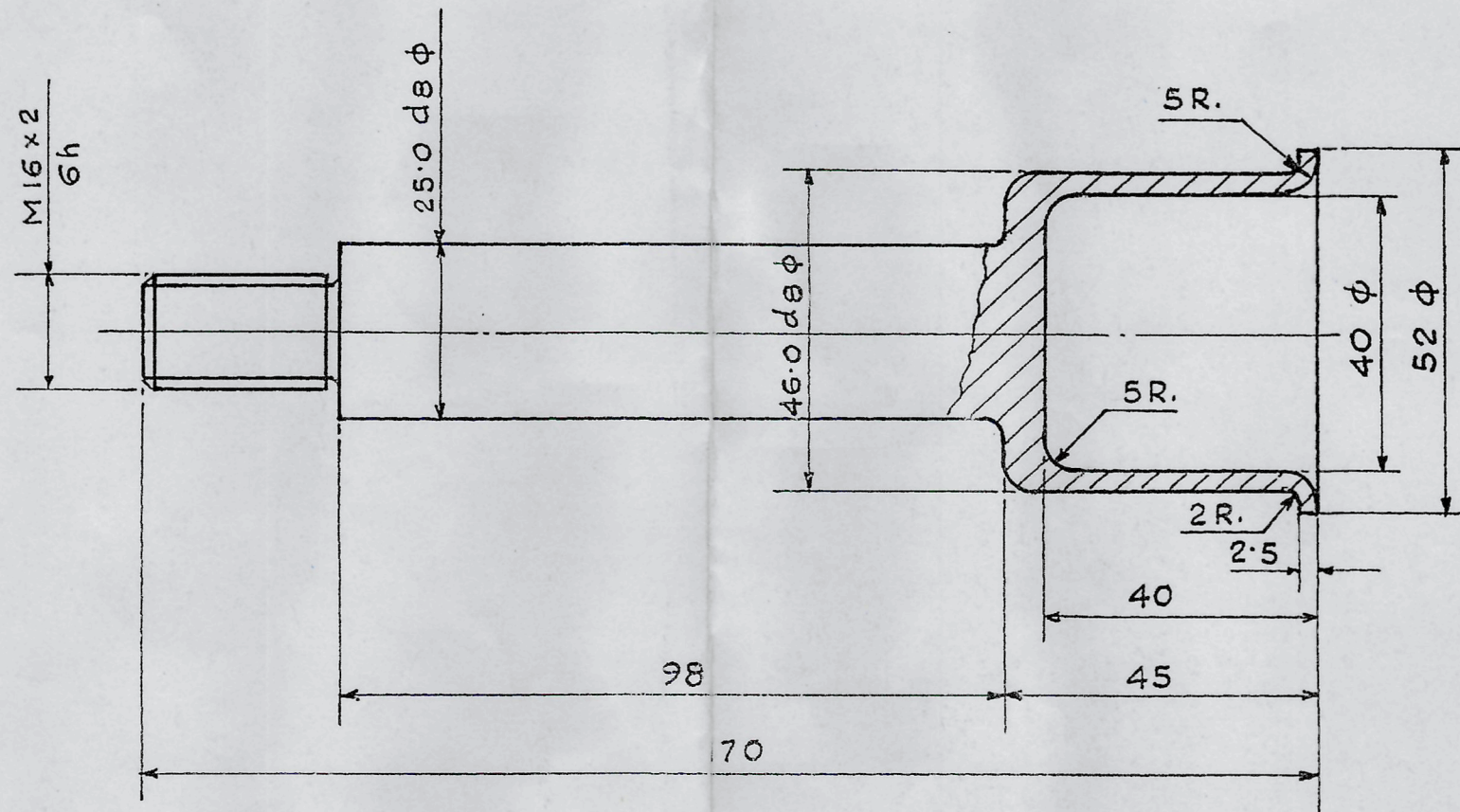


8	7	6	5	4	3	2	1
D S CAT No. 5340-015504		FOR EXPLANATION OF DIMENSIONING ETC, SEE ARDE NOTE SHT No. 1 DIMENSIONS ARE IN mm UNLESS OTHERWISE STATED				25.0 d 8 Ø -0.065 -0.098	
						46.0 d 8 Ø -0.080 -0.119	
						NOMINAL SIZE & FIT DEVIATION	

THREAD CONFORM TO IS:4218



IS:2004-1991 GRADE 45C8

15/5 19603-W		MATEL. AMENDED		DRAWN:-		CHD:-		ASSY DRG:- 1015-000747		CQA(W), JABALPUR	
5.11.07		SCANNED & PRINTED WITHOUT CHANGE		SCANNED:- PKA		CHD:-		DATE:-		SCALE:- 1:1	
DATE		AUTHORITY		ZONE		AMENDMENTS		SIG AHSP		SIG. DO	
PREV DC Nos:- 15961-W, 16095-W, 17889-W & 19004-W DT 3-10-06		MATERIAL:- IS: 2004-1978, DESIGNATION 45 C 8		PROTECTIVE FINISH:- TO BE PHOSPHATED AS PER SPECN. WPN / GEN / 3 CLASS II TYPE 13 (j)		C/D/MAN		DO		FOR CQA(W)	
DRG SEALED PROV :- 16095-W DT 23-12-83		DO CQA(W)		PLUNGER DETENT प्लंजर डिटेन्ट				DESIGN No.		D6P-200301	
								PART No.		IFL 7198	