

ON
D.S. CAT. 1005-001554

DIMNS. ARE IN m.m.

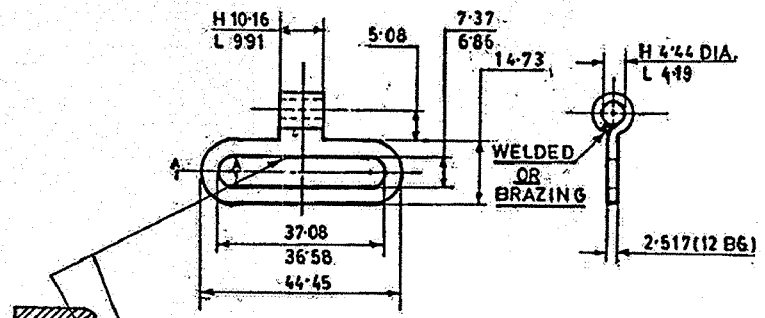
FOR EXPLANATION OF DETAILS WHEREVER NOT SPECIFIED, REFER D.D. NOTE SHEET NO.3 (LATEST ISSUE).

MATERIAL :- STEEL IS: 513-2008, CR 2
STEEL BS 1449 Pt. 1:CS4 SEC. 4
ALT. MATERIAL :-
STEEL IS: 4030 TEMPER 1/2 OR 3"

PROTECTIVE FINISH :-
PHOSPHATE TO SPECN. JSS 0465-01:1994, CLASS I
PAINT REFINISHING AMMUNITION STOVING BLACK
SPRAYING FOR SMALL ARMS. TO SPECN. JSS. 8010-37.

FOR ALTERNATIVE DESIGN SEE QS. CAT. NO. 1005-001555.
SHARP EDGES TO BE REMOVED.

NOTE :-
FOR SPECN. LATEST ISSUE SHOULD BE FOLLOWED.



SECTION A-A
SCALE: 4:1

RADIUS 0.76 ALL ROUND
THE EDGES OF SLOT.

METRIC.

ICR-1211

5-6-15 26760-SA MeH. Amended Amend. No. 003/15 Dt. 19-8-15				DRN.	CHD.	TRD. <i>Generations</i>	COMP. <i>Purana</i>	AHSR: CQA(SA), ICHAPUR
25-11-03 25878-SA PROFORMA CHANGED, TOL. NOTE & PROTECTIVE FINISH. AMENDED NEG. RE-TRACED AND DRG. RE-SEALED.		CD. M.D.C.		SCALE: 1:1		EST. MASS:-	APPROVED: DT. 19.6.67 NEG. RE-TRACED.	ASSY. 1005-001504
PREVIOUS D.C. NOS. 14973-SA, 16064-SA, 17576-SA, 18593-SA, 20830-SA AND 22438-SA.		COPY COPY.		DT. 25-11-03	I/C, D.O.	MATERIAL:- AS STATED		DGNRS REF. ARDE 657/23
DATE	AUTHY.	BRIEF RECORD	ZONE	I/C, D.O.	G.O.	H.T/HARDNESS :-		PART NO.
SEALED :- D.C. NO. 14973-SA Dt. 7.1.77				SIGN.		PROTECTIVE FINISH :- AS STATED		DRG. NO.
NOMENCLATURE : LOOP, SLING FRONT								D.S. CAT. NO. 1005-001554