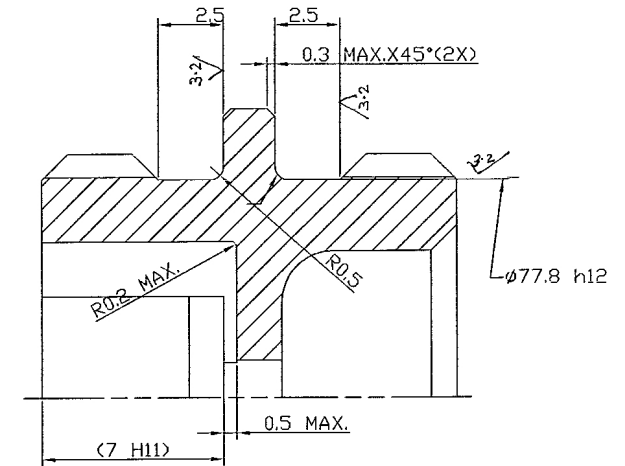
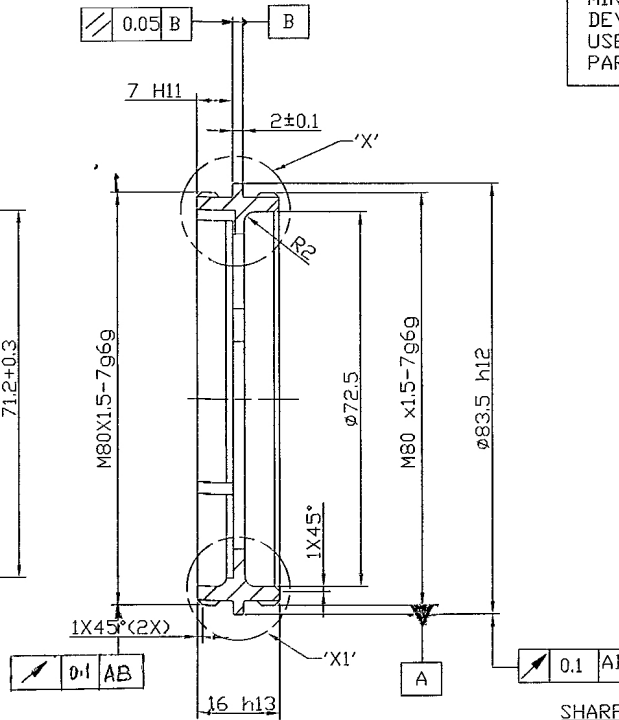
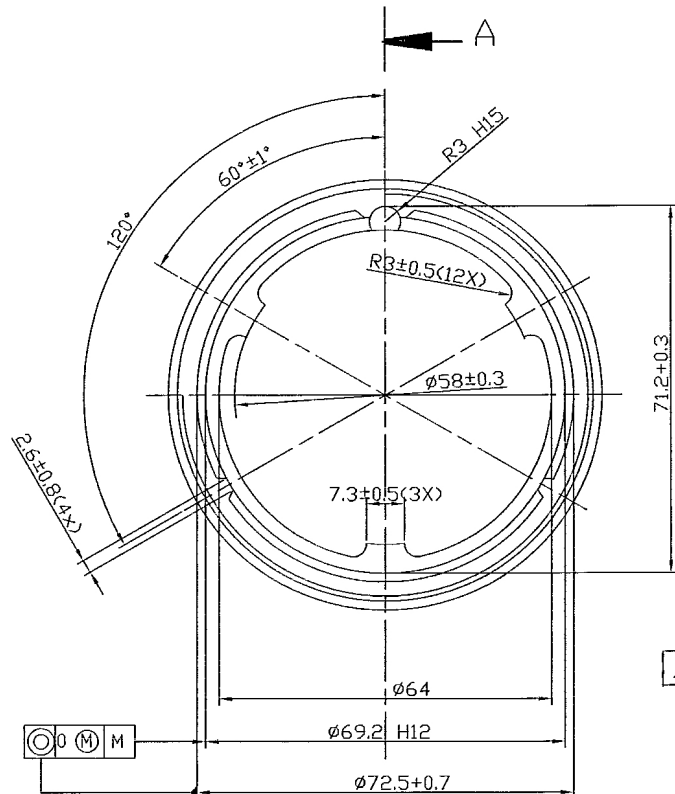


DRG.No.  
TRD -2-2-2272

VETTED - FOR PLANNING AND TRADE ENQUIRY ONLY.

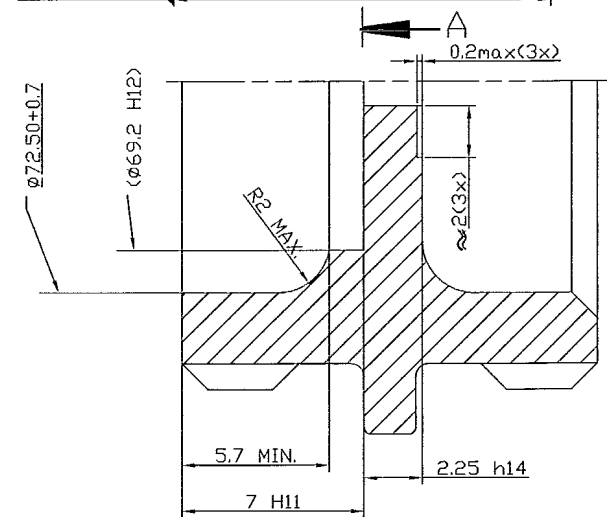
THIS DOCUMENT IS THE PROPERTY OF GOVT. OF INDIA,  
MINISTRY OF DEFENCE & IS ISSUED FOR THE PURPOSE OF  
DEVELOPING/MANUFACTURING STORES REQUIRED FOR DEFENCE  
USE. IT MUST NOT BE REPRODUCED/DISCLOSED TO ANY THIRD  
PARTY OR USED FOR ANY CIVIL PURPOSE.



SCALE:-5:1  
ENLARGE VIEW OF 'X'

SHARP CORNERS OR EDGES PERMISSIBLE ON THE INSIDE, BUT  
LOOSE BURRS OR BURRS WHICH MAY COME LOOSE ARE NOT  
PERMISSIBLE. MATL- EN753-3 ENAW6082 (SPECN.- 0813372)  
OR MATL-SPECN. F1301-904480, AL ALLOY 5154212  
ANODIZED CLASS 5 ACCORDING TO SPECN:F1301-920890,  
COLOUR: BLACK CHROMATIZED AFTER WATER SEALING.

MASS:-39 g.



SCALE:-5:1  
ENLARGE VIEW OF 'X1'

Item No.	DESCRIPTION	No. off	MATERIAL
	Heat Treatment Rc.-		SUPPORTING RING
Insp.	Date	JWM/ CDD	DA No
Amendments		▽ 12.5-25 Ra ▽▽▽ 0.2-0.8 Ra	
JWM/R&D		▽▽ 1.6-6.3 Ra ▽▽▽ 0.1-0.025 Ra M/C	
JWM/HOS	DATE 16.10.07	DIMENSIONS ARE IN mm.	
CKD	CKD	UNTOL. DIMNS. IS:2102 MEDIUM	
DRN - JPS	TRD	SHARP EDGES TO BE REMOVED	
Approved by		Gauging surfaces shown by thick line	
PS/GS.		ORDNANCE FACTORY KHAMARIA	
STORE 84 mm 551		No. of sheets - 1	
Drg.No.		Sheet No. - 1	
		Scale 1:1, (5:1)	
		Compt.	
		Drg.No. 5209562	