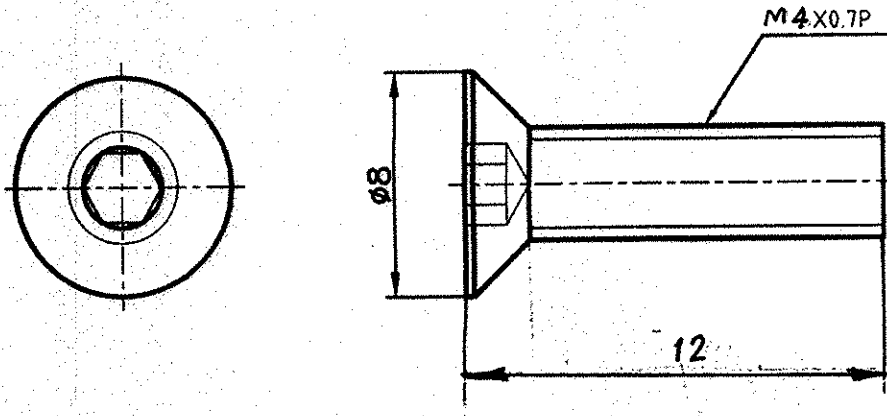


DIMENSIONS ARE IN mm.  
UNTOLERATED DIMNS. AS PER IS : 2102 (MED)  
SHARP CORNERS SHOULD BE BLUNT TO R 0.5



QTY - 2 Nos/GUN

STANDARD ITEM :- IS:6761, 1994

COUNTERSUNK HEAD WITH HEXOGEN SOCKET SCREW  
MAX 12mm. LONG

PART NO.	DESCRIPTIONS	NO OFF	MATERIAL	TREATMENT	REMARKS
	SIGNATURE & DATE	SUB: <u>C.S.K. HD. WITH HEXAGON SOCKET SCREW.</u>			SCALE 4:1
	TRACED	FOR: <u>SIGHT ASSY GROUP</u>			STORE DRG.NO.
	DRAWN <i>S. Venkatesh</i>	OF: <u>40 mm MGL</u>			OPERATION NO.
	CHECKED	DES. REF. NO.			
	HOS/D&DO <i>Dr. J.</i>	DRG. No.: <u>30P 4007</u>			SHEETS: 1
	NDAL OFFICER/ FOR MGL. <i>Dr. J.</i>	ORDNANCE FACTORY TIRUCHIRAPPALLI-16.			SHEET No.: 1
	OFFICER/D&DO				
AMENDMENTS	SIG. & DATE	APPROVED ON. 25/02/2015			

*M6 X 15 mm long was changed to M4 X 12 mm long (Standard Part 6761) on 19/01/15*