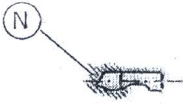
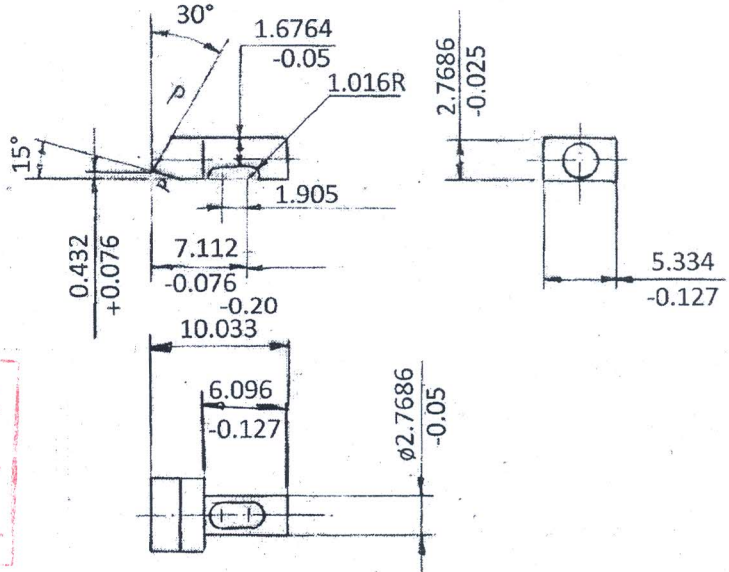


DRG. No. SK-02055



ACTUAL SIZE



केवल निमित्त है
 संदर्भ: मांग पत्र सं. 210110107
 दिनांक 30/11/2021

SURFACE MARKED 'P' TO BE POLISHED.

SURFACE INDICATED THUS TO BE FINISH SMOOTH.

ALL DIMENSIONS ARE IN mm.

FINISH SMOOTH

MATERIAL FOR MIM COMPONENT:-

MIM4650

C:- 0.3-0.6% , Ni:- 1.5-2.5%

Cr:- 0.5% MAX, Si:- 0.5%

Mo:- 0.5% MAX, Mn:- 0.3%

P:- 0.03% MAX , Fe:- BALANCE

S:- 0.03% MAX

SINTERED DENSITY:- 7.5 g/cm³ MIN.

HARDNESS:-

COMPONENT MUST CONFORM TO THE FOLLOWING HARDNESS NUMERALS AT THE POSITION INDICATED

LETTER	D.P.N.
N	400-500

ITEM	DESCRIPTION	NOOFF	MATERIAL	TREATMENT	REMARKS
SCALE NTS	COMPONENT	STOR DRG. NO.	FIELD GUN FACTORY KANPUR		
UNSPECIFIED TOLERANCES IS : 2102 (MEDIUM)	0.32" REVOLVER	32-0100			
2021	DATE	NAME	APPROVED		
DRN.		<i>Calay</i>			
CHD.					
TCD.					
COMP.					
J.W.M/D.O		<i>@kunal</i>	DO/SHOP		
J.W.M/SEC	24.0	<i>W</i>	AD/ODC		
			DRG. No. SK-02055		
			SHTS. 1		
			SHT. NO. 1		
CATCH TRIGGER					