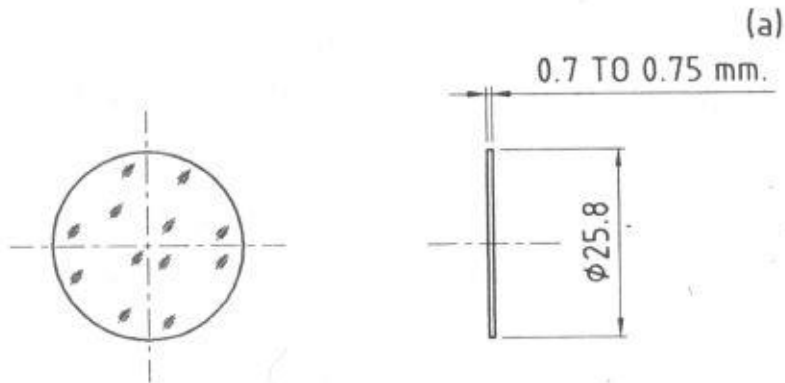


TELESCOPE SIGHT 5.56 mm. LMG (INSAS) CASED 101A
SNOW-FILTER

DRG. No. :-
BASED ON IRDE-2605/41

†
MCT-2912



MATL. :- (a) NEUTRAL TINTED CELLULOSE ACETATE SHEET.
TRANSMISSION- % VISIBLE (INTEGRATED) 10% TO 25%
(a) ULTRA VIOLET 10% (MAX.)
INFRARED 50% (MAX.)

FOR TRADE ONLY
Date of Iss. 04/03/21

ALL DIMENSIONS ARE MM.
IMPORTANT DIMENSIONS MARKED THUS ●
INFORMATION MARKED THUS † TO BE MARKED ON.

		DT.- 8.6.2010	SCALE- 1:1
	DR.- R.K.SHARMA	<u>MATL.</u> AS ABOVE	<u>TREAT.</u> -
	TR.-	SHTS.- 1	SHT. NO.- 1
	CH. <i>[Signature]</i>	<u>DRAWING No.-</u> <u>MCT-2912</u>	
	APPROVED.		
AMENDMENTS.	<i>[Signature]</i>		
OFD/DO/002	JWM/DO. <i>[Signature]</i> WM/P2. <i>[Signature]</i>		

ORDNANCE FACTORY, DEHRADUN.