

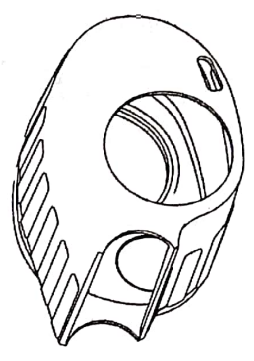
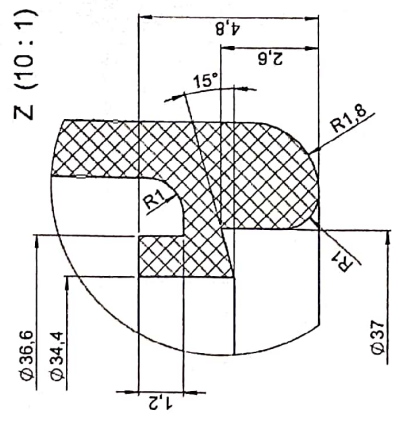
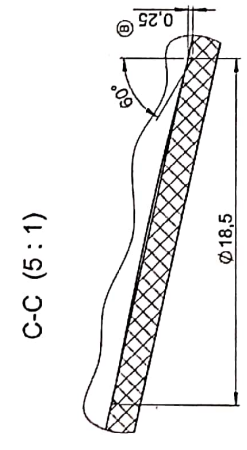
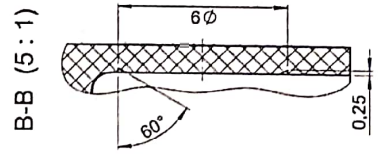
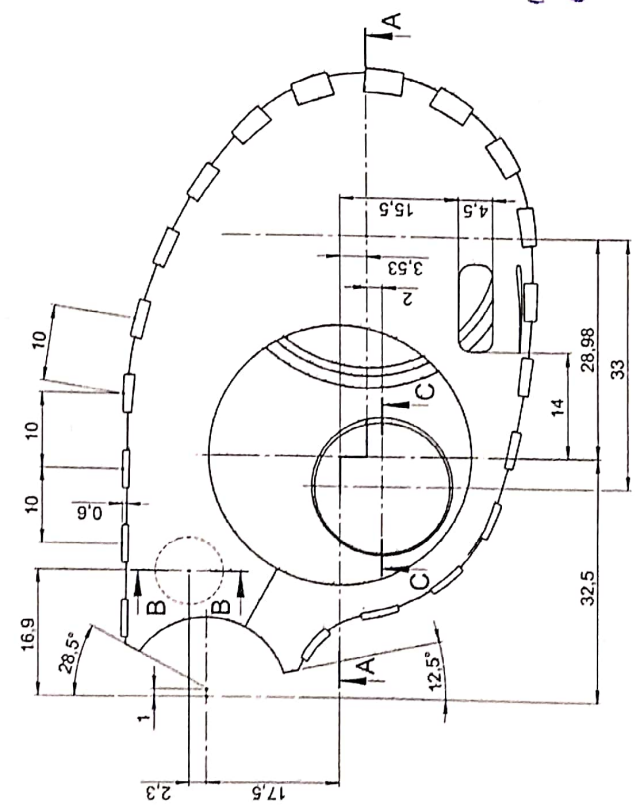
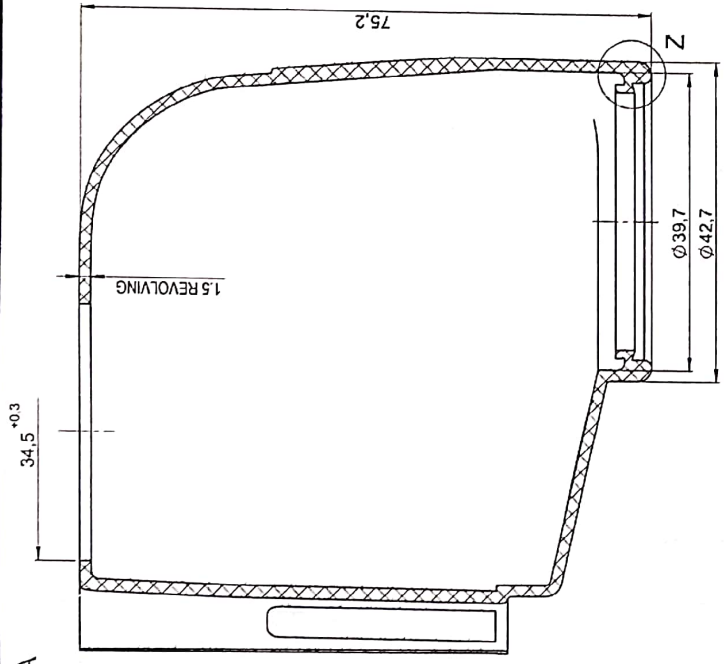
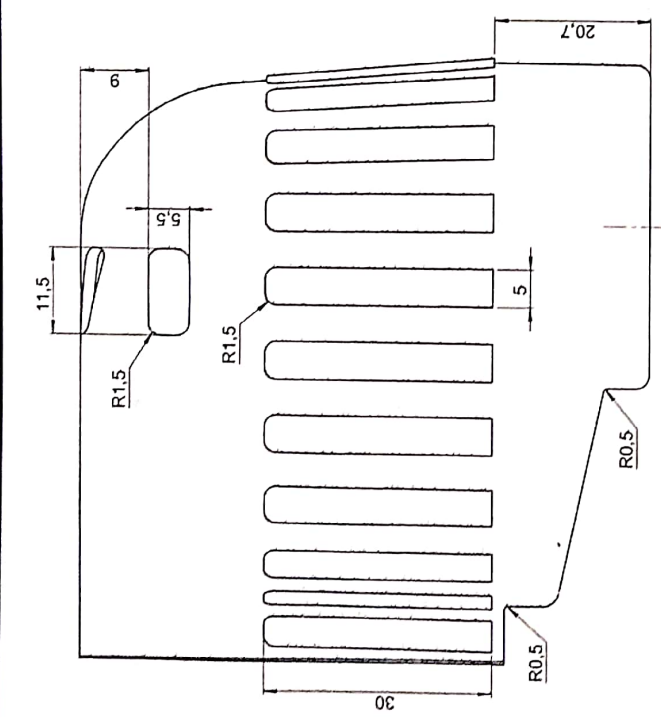
INNER CONTOUR TO
 HOLDER OPTICAL ELEMENT MCT-2924/1
 HOLDER OPTICAL ELEMENT MCT-2957/1
 COVER PLATE MCT-2961/1 ADAPTED

VISIBLE OUTER SURFACE WITH
 SURFACE STRUCTURE ACCORDING
 TO DIN VDI 3400 REF 30

MANUFACTURED TO CAD- DATA

DIMENSIONS WITHOUT TOLERANCE
 ACCORDING TO ISO: 3302-1/2 M2

TEMPERATURE COMPATIBILITY OF THE
 COMPONENTS (+80° C ± 3° C & -40° C ± 3° C)



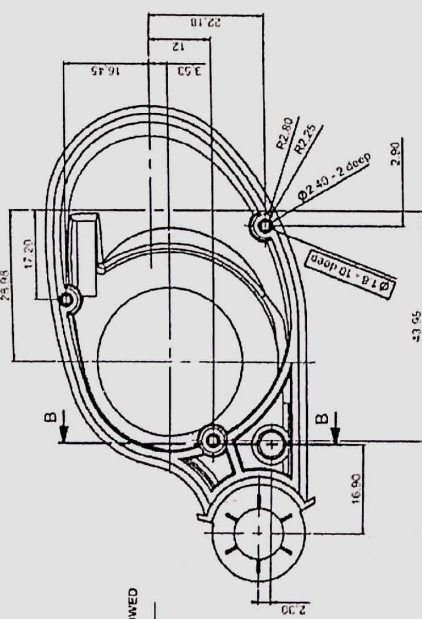
MATL:- NBRI/PVC 55±5 SHORE A
 FINISH:- COLOUR RAL 6014

AMENDED DRG.
 CONTROLLED COPY
 Copy No.
 Date of Issue 15/01/2020
 P.S.P.

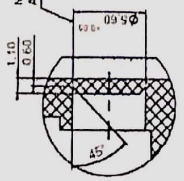
ORDNANCE FACTORY DEHRADUN	DR. P.C. SINGH TR.	CH. I.N. GHOSHAL APPROVED	DT. - 12-06-2010	SCALE: NTS
	APPROVED		MATL. AS ABOVE	FINISH AS ABOVE
REF. DRG. NO. - COA01-78937M OEM NO. - 0543-0300.110 (K0001718)		DA. NO. 01/2020, DT. - 17/01/2020	SHEETS- 01	SHT. NO. - 01
AMENDMENTS		DRAWING NO. - MCT-2951/1		
OFD/DO/002				

19

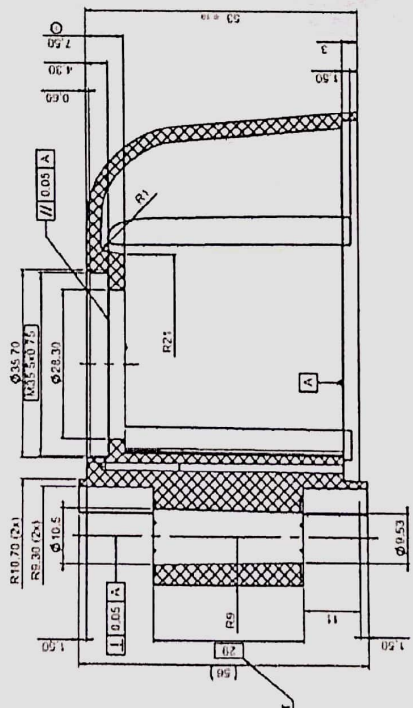
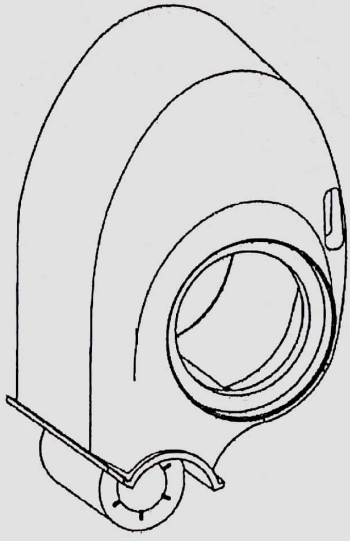
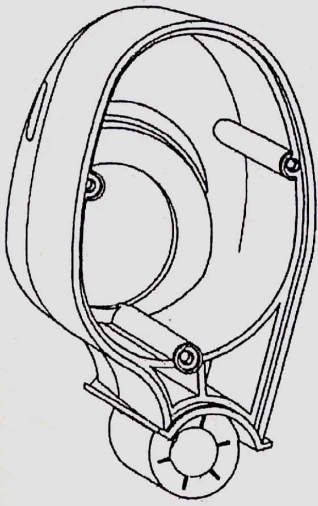
Handwritten notes:
19/12/19
MCT-2924/1



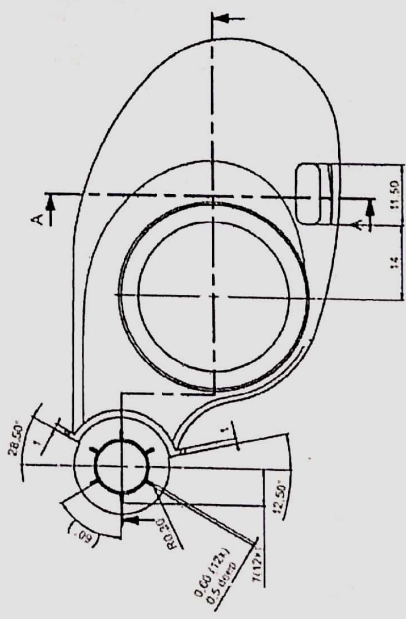
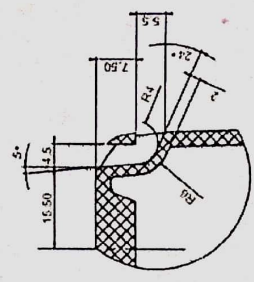
NO DRAFT ANGLE ALLOWED
AT THIS BORE HOLE.



B-B5:1



A-A VIEW ROTATED 90°



MATL. :- PC-GFK 20%

MAX ALLOWABLE DRAFT ANGLE 30°
NOT DIMENSIONED EDGES CHAMFER 0.2
MISSING DIMENSIONS ACCORDING TO CAD-DATAS
NOT DIMENSIONED SIDE THICKNESS 2.8mm
TEMPERATURE COMPATIBILITY OF THE
COMPONENTS. (+80 ±3 & -40 ±3)

DT.- 12-06-2010	SCALE- NTS
MATL. AS ABOVE	TREAT AS ABOVE
SHEETS- 1	SHT. No.- 1
DRAWING NO.-	
MCT- 2924/1	
AMENDMENTS	
OFDIDO/002	

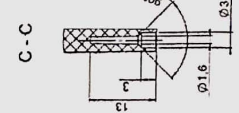
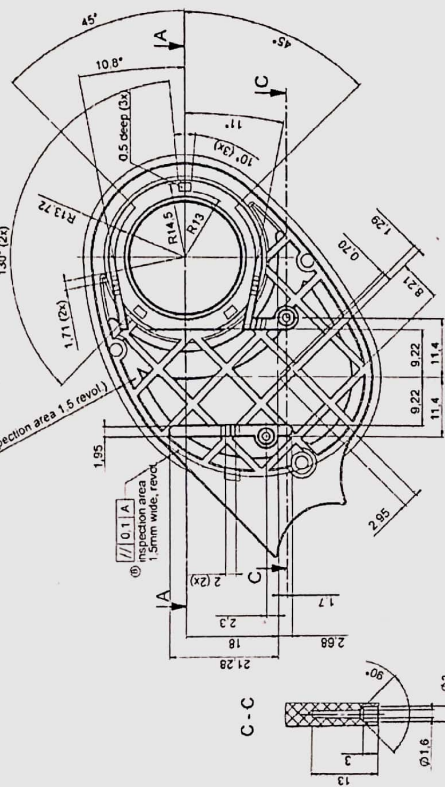
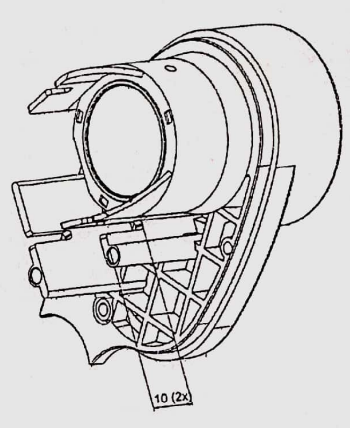
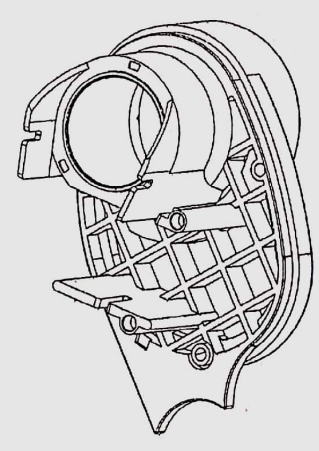
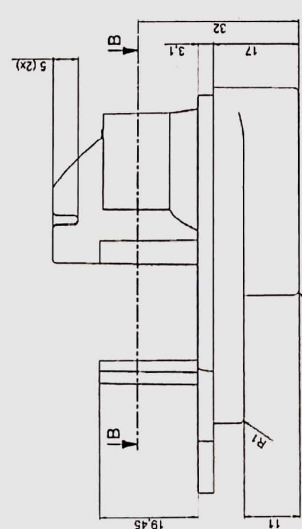
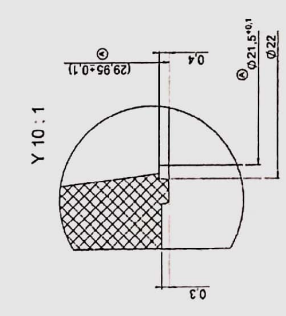
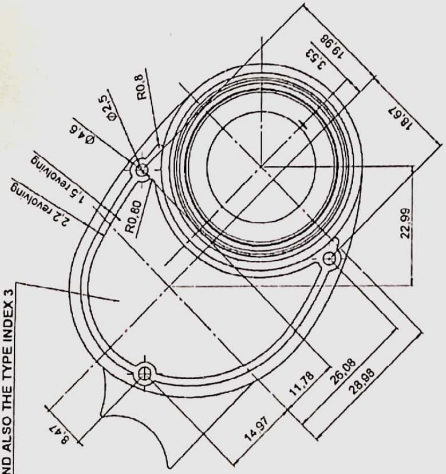
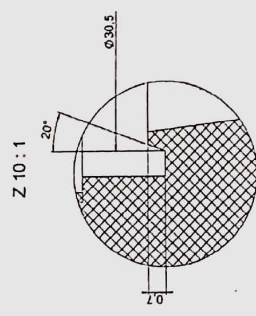
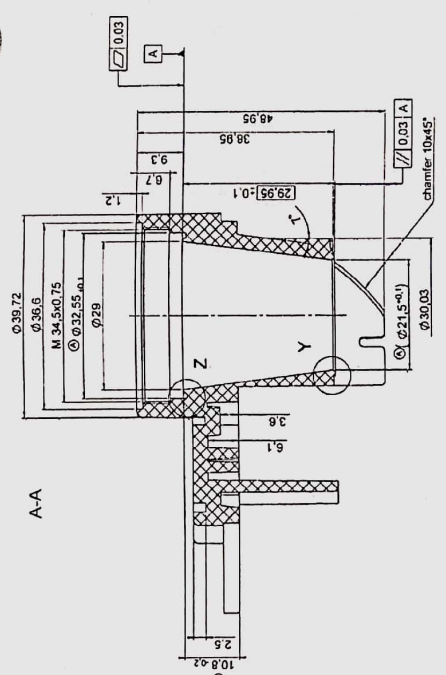
BINOCULAR 8x30 R HOLDER OPTICAL ELEMENT

DR. P.C. SINGH	TR.
CH. Sd.- I.N. GHOSHAL	APPROVED
<small>REF. DRG. NO.-</small> <small>COA(1)- 789 G</small> <small>GROUP</small>	

**ORDNANCE FACTORY
DEHRADUN**

IN THIS SURFACE EVER A DATE
STAMP FOR MONTH AND YEAR
AND ALSO THE TYPE INDEX 3

18



MATL:- PC- 20% FIBER GLASS

19/12/19
19/12/19

TEMPERATURE COMPATIBILITY OF THE
COMPONENTS. (+80°±3 & - 40°±3)

MAX ALLOWABLE DRAFT ANGLE 30°
NOT DIMENSIONED EDGES CHAMFER 0.2

DT.- 12-06-2010	SCALE- NTS
MATL. AS ABOVE	TREAT AS ABOVE
D.A. No.- 0120215, Dt. 02-01-2015	SHT. No.- 1
AMENDMENTS	
OFD/DO/002	

BINOCULAR 8x30 R HOLDER OPTICAL ELEMENT	
DR. P. C. SINGH	APPROVED
TR. CH. SD.- LN. GHOSHAL	
REF. DRG. NO.- COA(1)- 789/44	

ORDNANCE FACTORY DEHRADUN	
DRAWING NO.- MCT-2957/1	