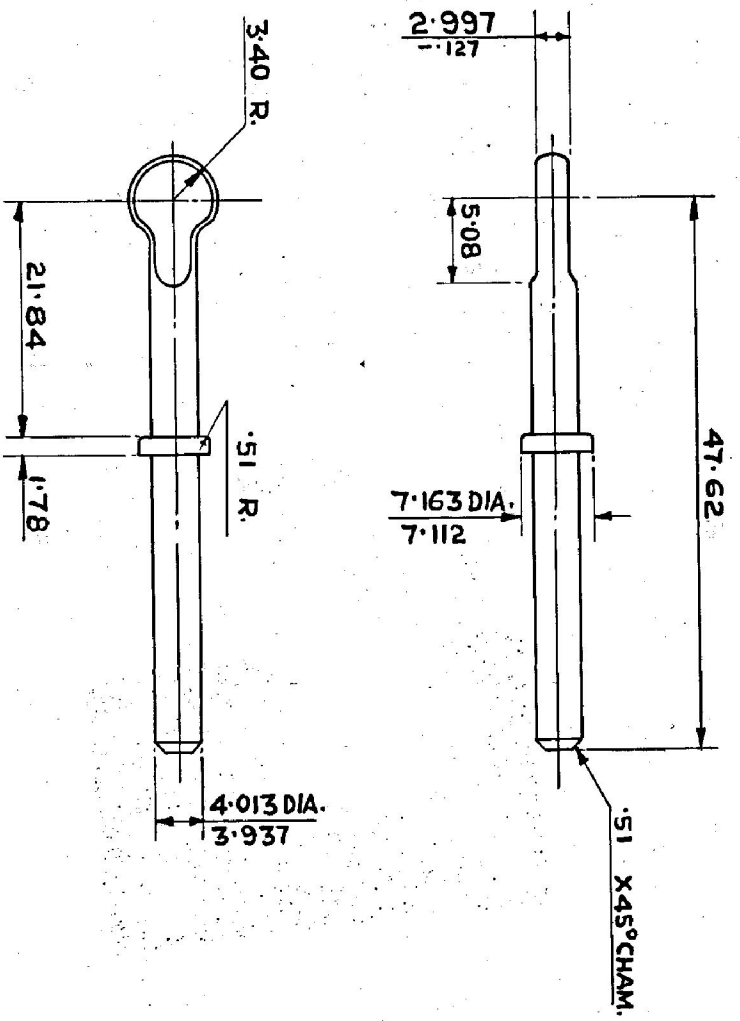


DS. CRT. NO.
1005-001684

FOR EXPLANATION SEE D.D. NOTE SHEET NO. 3
THIRD ANGLE PROJECTION. DIMENSIONS ARE IN MILLIMETRES



FINISH.
PHOSPHATE TO SPECIFICATION JSS 0465-01:1988
CLASS 1 OIL FINISH.
HARDNESS :- 300 TO 375 HV (47.5-54 HRD)

NOTE:-
WHERE TOLERANCES ARE NOT SHOWN
DIMENSIONS IN WHOLE NUMBER OR WITH
ONE DECIMAL PLACE ± 0.27 mm.
DIMENSIONS WITH TWO DECIMAL PLACES
 ± 0.13 mm.

METRIC

ASSLY. DRG. 1005-001681

6-9-92	21950-5A	PROTECTIVE FINISH AMENDED.	DRG. CHD
22.8.85	18526-5A	MATERIAL AMENDED	TRACED
25.2.80	16217-5A	MATL. AMENDED	CHKD
10.2.77	15025-5A	DRG. SEALED	APPROVED
DATE	AUTHY	ZONE	NATURE
AMENDMENTS			
SEALED :- D.C.O 15025-5A DT. 10.2.77			
MATERIAL :- STEEL BS 970 PT.1:1983 Gr. 070 M55			
PROTECTIVE FINISH :- AS STATED.			
ESTIMATED WEIGHT :-			
SCALE :- 2/1.			

DATE:- 19.6.67
DESIGNER'S REF.
ARDE 657/233

DS. CRT. NO.
1005-001684

STAY HAMMER

CISA. ICHAPUR.