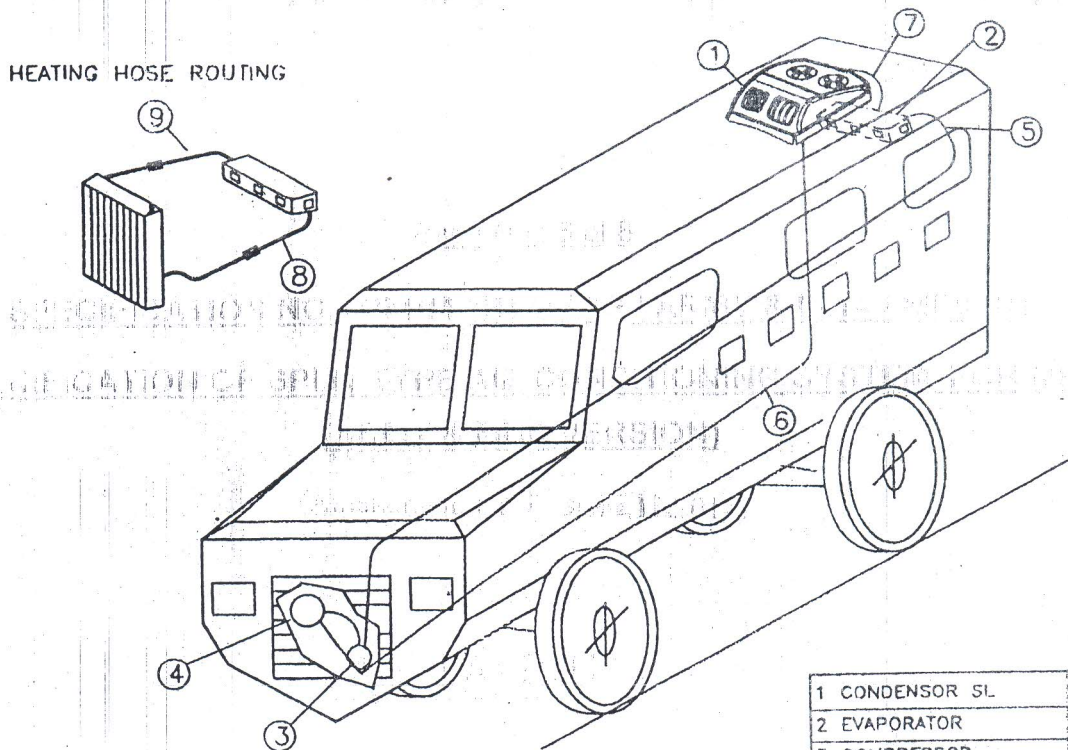


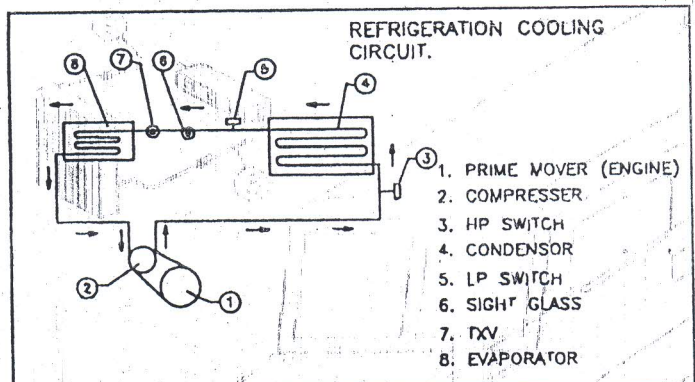
SPECIFICATION NO.: OFPM / R&D / SP / ARMY & MHA / MPV- 04
SPECIFICATION OF SPLIT TYPE AIR CONDITIONING SYSTEM FOR MPV
(ARMY & MHA VERSION)

(Amendment No.7 Dt.05.11.2014)

AC LAYOUT



1	CONDENSOR SL
2	EVAPORATOR
3	COMPRESSOR
4	ALTERNATOR
5	SUCTION LINE
6	DISCHARGE LINE
7	LIQUID LINE
8	HEATING HOSE INLET
9	HEATING HOSE OUTLET



- 1. PRIME MOVER (ENGINE)
- 2. COMPRESSOR
- 3. HP SWITCH
- 4. CONDENSOR
- 5. LP SWITCH
- 6. SIGHT GLASS
- 7. TXV
- 8. EVAPORATOR

lis