

PACKING CLAUSE:-

EACH ALIGNMENT RING SHALL BE PACKED IN A POLYTHENE BAG OF SUITABLE SIZE AND TIED THE MOUTH OF THE BAG TO BE HEAT SEALED 2D NOS. THIS SEALED BAG SHALL BE PACKED IN A SUITABLE SIZE OF CARTON 10 NOS OF SUCH CARTONS SHALL BE PACKED IN A C.W.P (DULY LINED WITH PAPER PACKING WATER PROOF) ONE ALIGNMENT RING IN EACH CARTON SHALL BE IDENTIFIED BY A LABEL SHOWING CAT NO. DESIGNATION OF THE STORE AND ALSO THE RECOGNISED INITIALS OF THE MANUFACTURER. THE PACKING CASE SHALL BE LEGIBLY AND INDUBLY MARKED WITH THE ADDRESS OF THE CONSIGNEE, CONSIGNOR, CAT. NO. NOMENCLATURE OF THE STORE, THE YEAR OF MANUFACTURE, TOTAL NO. OF PACKING CASES AND THE NO. OF INDIVIDUAL PACKING CASE IN A CONSIGNMENT.

2	3	STRIP	1
1	2	RING	1
-	1	GEN. ASSEMBLY	-
DETAIL No. SHEET No.		NOMENCLATURE	No. OFF

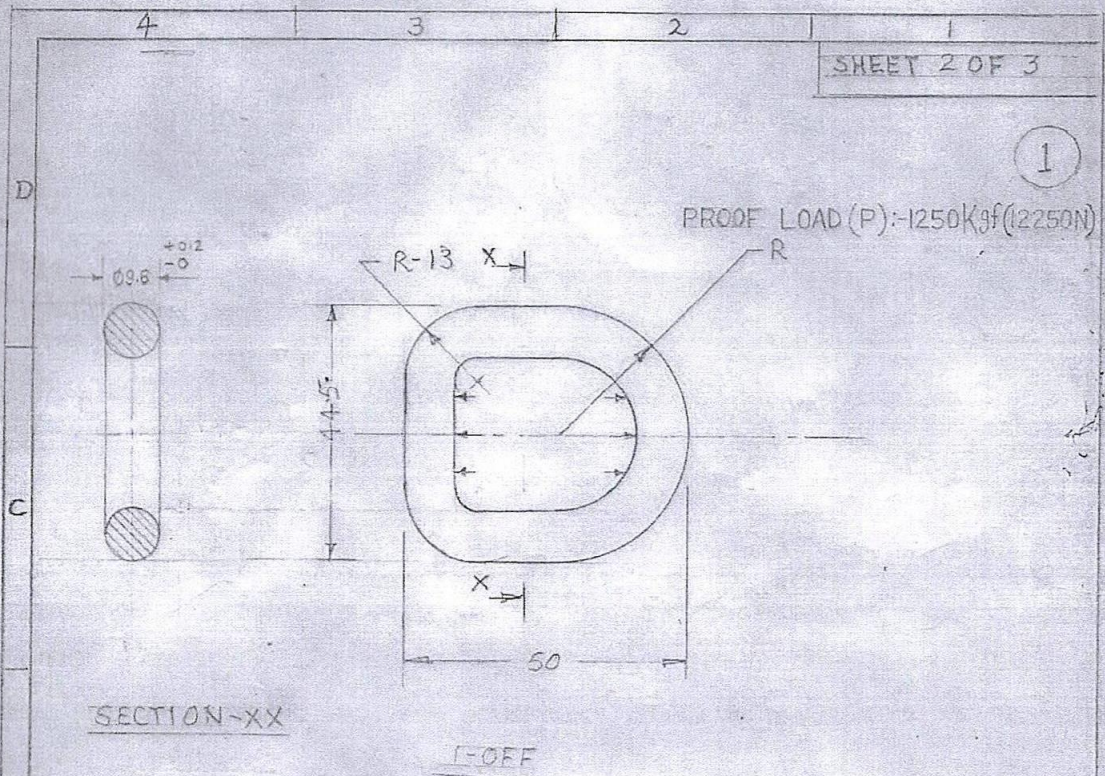
DETAIL INDEX

DRN: S.C. SHARMA	DRD	MATERIAL:-	4DRDE, A6RA
CHD: 3mm	o/c	FINISH:-	
FED:	PGD	HEAT TREATMENT:-	APPROVED:
COMP:	PROJ. OFFER		PROG. DIRECTOR (A)
SCALE: 1:1	DIV. HEAD		DRG No. (1012)
DIMENSIONS ARE IN MM			A DRDE/1256-3
TOLERANCE IS: 2102 MEDIUM			DRD/29/95

R.No.	DATE	ZONE	AUTHORITY	PLACE FOR INSPECTION MARKING INDICATED PACKING CLAUSE INCLUDED	BRIEF RECORD
b	16/12/99	F & C	4DRDE/PAS/MEP C-2 57E, DT. B/1299		

GEN. ASSEMBLY
DETACHABLE ALIGNMENT RING
FOR BMK-41

1

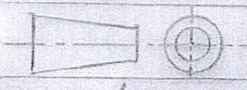


MFG. PROCESS :- FORGING.

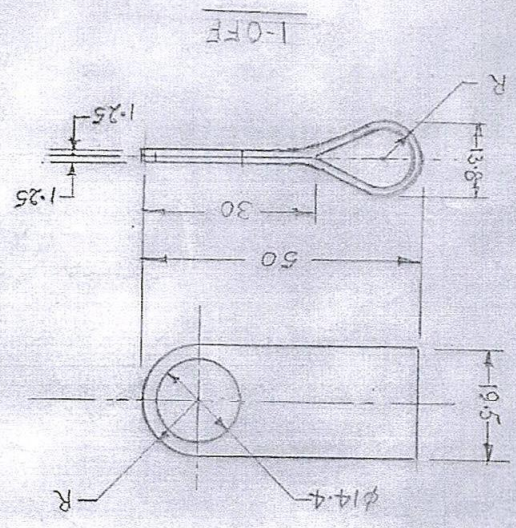
R.N.		DATE	ZONE	AUTHORITY	BRIEF RECORD		o/c PGD
DRN	S.C. SHARMA			DRD	MATERIAL :- (Al) ALLOY (HE-15)	ADRDE, AGRA	
CHD	PRASHANT				GRADE-24345, IS: 783-1975		
TRD					FINISH :- ANODIZED IN GOLDEN COLOUR AS PER IS: 7888		
COMP				o/c PGD	HEAT TREATMENT :- W.P.	APPROVED	
SCALE	1:1	PROG. OFFER		DIV. HEAD	CONDITION 135 ± 10 BHN	X PROG DIRECTOR (GA)	
DIMENSIONS ARE IN MM					RING		
TOLERANCE IS : 2102 MEDIUM					DETACHABLE ALIGNMENT RING FOR BMK-41		
					DRG No. (b) 125 ADRDE/1296-01 DRD/29/98		

DRG. No. (b) (18)	DRD/29/98	DRG. No. (b) (18)	DRD/29/98
APPROVED	APPROVED	APPROVED	APPROVED
SCALE: 1:1	SCALE: 1:1	SCALE: 1:1	SCALE: 1:1
PROJ. OFFER	PROJ. OFFER	PROJ. OFFER	PROJ. OFFER
DIR. HEAD	DIR. HEAD	DIR. HEAD	DIR. HEAD
HEAT TREATMENT:-	HEAT TREATMENT:-	HEAT TREATMENT:-	HEAT TREATMENT:-
FINISH:- SMOOTH FINISH	FINISH:- SMOOTH FINISH	FINISH:- SMOOTH FINISH	FINISH:- SMOOTH FINISH
MATERIAL: AUSTENITIC STAINLESS STEEL	MATERIAL: AUSTENITIC STAINLESS STEEL	MATERIAL: AUSTENITIC STAINLESS STEEL	MATERIAL: AUSTENITIC STAINLESS STEEL
STRIP AISI-302 IN ANNEALED CONDITION	STRIP AISI-302 IN ANNEALED CONDITION	STRIP AISI-302 IN ANNEALED CONDITION	STRIP AISI-302 IN ANNEALED CONDITION
ADDRDE, AGRA	ADDRDE, AGRA	ADDRDE, AGRA	ADDRDE, AGRA
DRD	DRD	DRD	DRD
6.C. SHARMA	6.C. SHARMA	6.C. SHARMA	6.C. SHARMA
DATE	DATE	DATE	DATE
ZONE	ZONE	ZONE	ZONE
AUTHORITY	AUTHORITY	AUTHORITY	AUTHORITY
BRIEF RECORD	BRIEF RECORD	BRIEF RECORD	BRIEF RECORD
0% PAD	0% PAD	0% PAD	0% PAD

**DETACHABLE ALIGNMENT RING
STRIP FOR BMK-41**



NOTE:- FINAL SHAPE
TO BE MAINTAINED
AFTER INSERTING
IN THE RING (DETAIL No. 1)



2

SHEET 3 OF 3