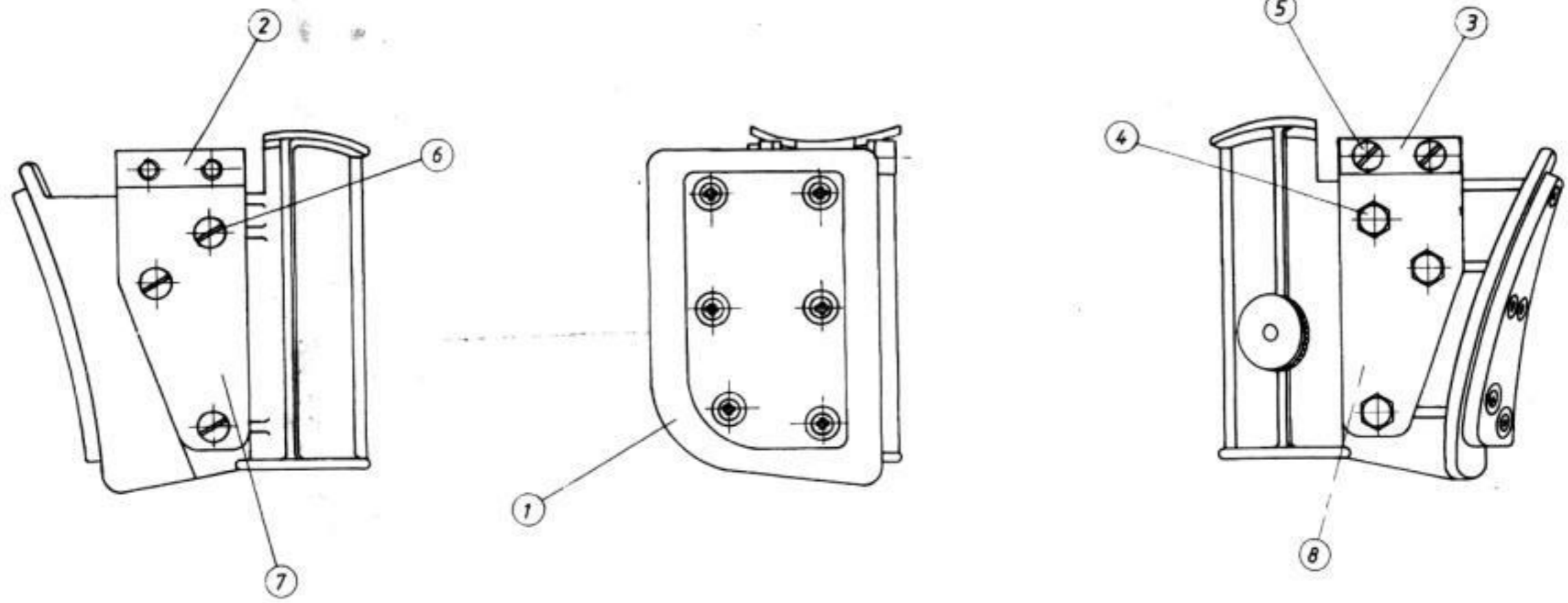


1-007020
 1-007020
 1-007020



8	1	Mounting plate shoulder pad, left	F1303 - 007420
7	1	Mounting plate shoulder pad, right	F1307 - 007400
6	3	Pan head screw M6x30	F1303 - 030110
5	2	Cheese head screw M4x5	F1303 - 030770
4	3	Nut, shoulder pad	F1303 - 030670
3	1	Tension jaw, left	F1303 - 007270
2	1	Tension jaw, right, compl	F1303 - 007280
1	1	Shoulder pad, complete	F1303 - 007210

02-5-07-19047-W		DRAWING SEALED	
10-06-06		SCANNED & PRINTED WITHOUT CHANGE	
SCANNED	PKA	DATE	AUTHORITY
CHECKED	KAR	AMENDMENTS	
CQA (W), JABALPUR			
F	1-3	367	000618 Pnc 18/04/04
E	1	67	920914 AT 11/10/05
D	1	F7	90-04-02 ML 12/02/02
C	1-2	2F7	89-10-20 SA 11/01/02
-	-	-	89-02-09 SH 04/01/02
Translated from Swedish			
Jig/ks	Andr	Datum	Uttval (Gransk/Godk)

Del Antal	Beskrivning/Beteckning	Ämning/Referens	Mått/Mått (Ovrigt)
851024	Shoulder Pad, Assy M3		1:1
FFV			
			F1303-007200 F

1-007020