

DRG. SEALED :-



SCALE :-

NOTE :- 1) ALL DIMENSIONS ARE IN MM.
2) UNSPECIFIED TOLERANCES AS PER IS 2102 (MED).

ORDNANCE FACTORY

BHUSAWAL

DRG. NO.: OFBH-SM601-C-2002

ID NO.: C/DRG_3/BOX SM 601/COMP/BRACKET

JMM/SHOP

GO/DO

HARISH KUMAR

JMM/HOS/DO

D.L. PATIL

JMM/CHD

D.L. PATIL

JMM/DGN

P.V. RAO

2011

NAME

SIGN

DATE

DESCRIPTION

QTY.

MATL.

TREATMENT

REMARKS

Head of Section, Drawing Office.

Office, Ordnance Factory, Bhusawal.

Latest Copy of Drawing Issued by Drawing Office, Ordnance Factory, Bhusawal.

09 JUN 2014

MILD STEEL SHEET CONFORMING TO THE FOLLOWING :-

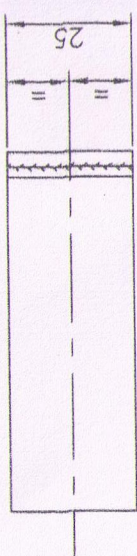
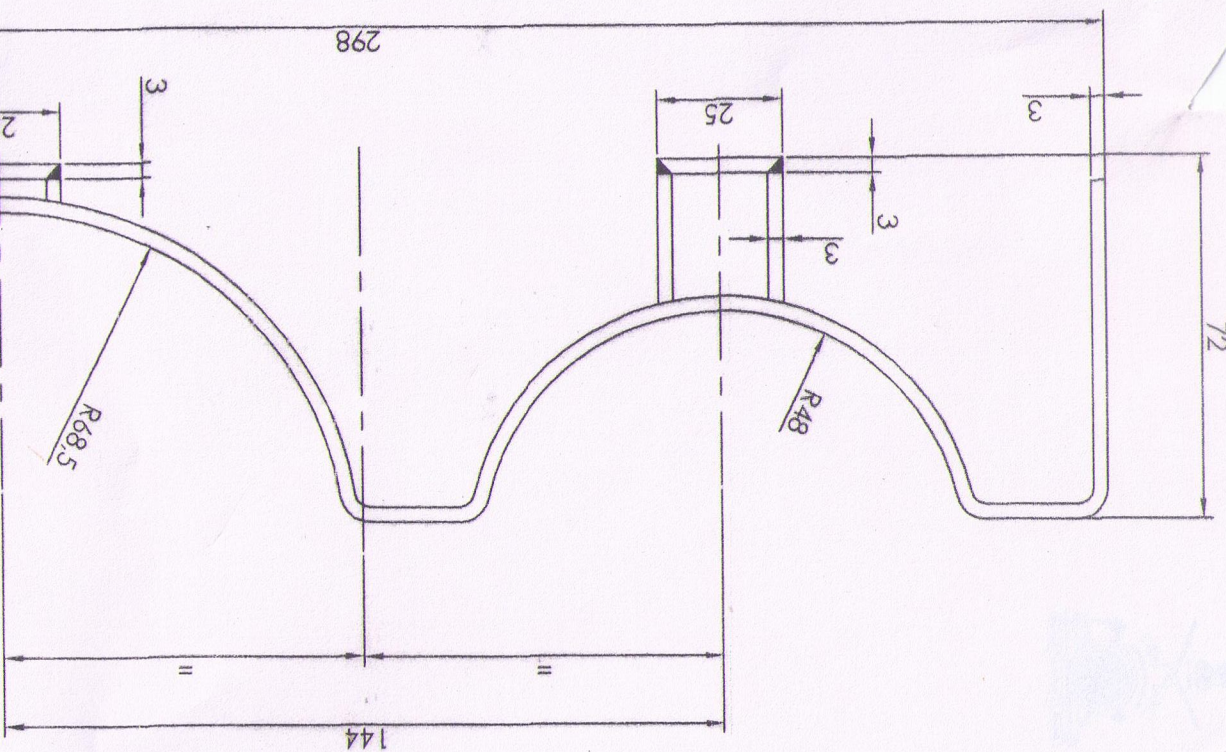
a) IS: 1079:1994 GRADE ST 34 HOT ROLLED AND ANNEALED

b) IS: 513:1996 COLD ROLLED AND ANNEALED BEST SURFACE TYPE 'D'

c) BS: 1449 PT 3 B 1964 CS 4 COLD ROLLED AND ANNEALED.

d) BS: 1449 PT 3 A 1964 HS 4 HOT ROLLED AND ANNEALED.

MATERIAL :-



BRACKET (WITH OUT FELT)
FOR BOX SM 601C

2011

NAME

SIGN

DATE

JMM/DGN

P.V. RAO

JMM/CHD

D.L. PATIL

JMM/HOS/DO

D.L. PATIL

GO/DO

HARISH KUMAR

JMM/SHOP

ORDNANCE FACTORY

BHUSAWAL

DRG. NO.: OFBH-SM601-C-2002

ID NO.: C/DRG_3/BOX SM 601/COMP/BRACKET

JMM/SHOP

GO/DO

HARISH KUMAR

JMM/HOS/DO

D.L. PATIL

JMM/CHD

D.L. PATIL

JMM/DGN

P.V. RAO

2011

NAME

SIGN

DATE

DESCRIPTION

QTY.

MATL.

TREATMENT

REMARKS

Head of Section, Drawing Office.

Office, Ordnance Factory, Bhusawal.

Latest Copy of Drawing Issued by Drawing Office, Ordnance Factory, Bhusawal.

09 JUN 2014

MILD STEEL SHEET CONFORMING TO THE FOLLOWING :-

a) IS: 1079:1994 GRADE ST 34 HOT ROLLED AND ANNEALED

b) IS: 513:1996 COLD ROLLED AND ANNEALED BEST SURFACE TYPE 'D'

c) BS: 1449 PT 3 B 1964 CS 4 COLD ROLLED AND ANNEALED.

d) BS: 1449 PT 3 A 1964 HS 4 HOT ROLLED AND ANNEALED.