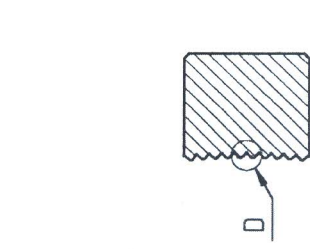
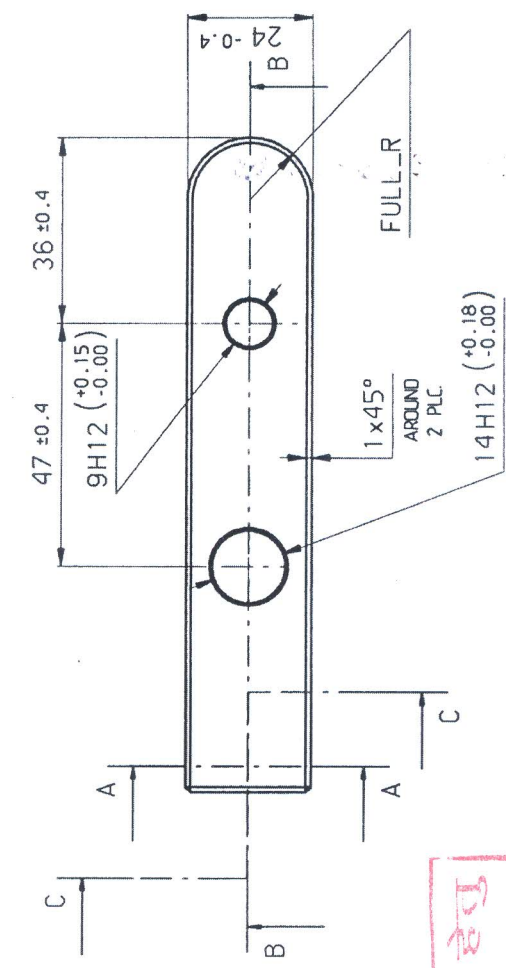
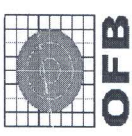
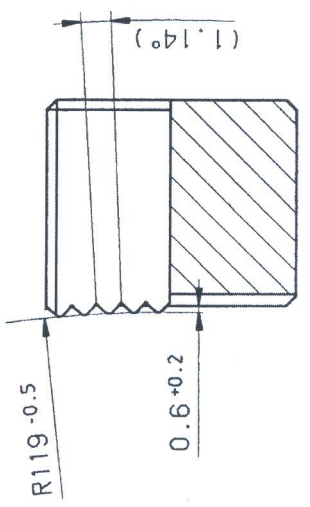


DATE: 01.01.2007
 ALTERNATE/INDIGENOUS MATERIAL SPECN:
 BS 970/708 A25 With Mechanical Properties:
 Re-700, Rm=800/1100 A= 12, Charpy= 45J, Z=50
 OR BS 970/708M40.
 (REF: COA(W)/JABALPUR L.No. 3B2402/COAW/011
 Dt. 12 JULY 2005)
 JWM/CDD

THIS DRAWING/DOCUMENT CONTAINS
 COMPANY PROPRIETARY INFORMATION.
 USE OR DISCLOSURE IN WHOLE OR
 IN PART SHALL NOT BE MADE
 WITHOUT THE WRITTEN PERMISSION
 OF 'OFB'

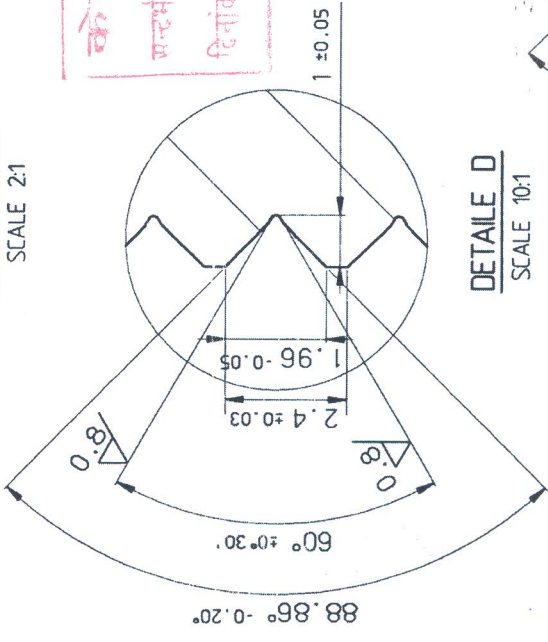


SECTION A-A



SECTION C-C

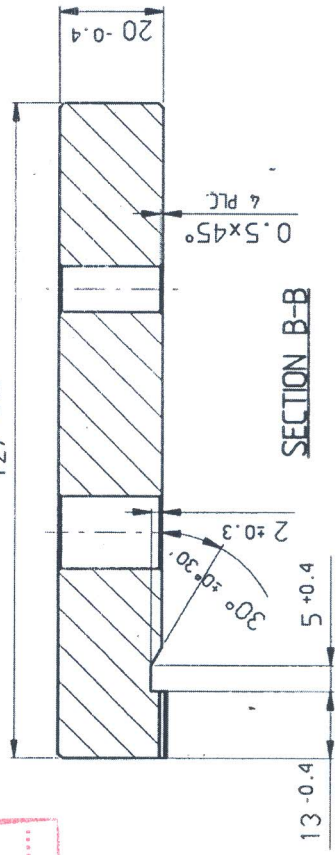
SCALE 2:1



DETAIL D

SCALE 10:1

कक्षा निविदा हेतु
 वस्तु क्रमांक 380250
 दिनांक 03-05-2018



SECTION B-B

6.3 (0.8/√A)

MACHINING INSTRUCTIONS
 UNSPECIFIED TOLERANCES
 FOR DIMENSIONS AND ANGLES
 DIMENSIONS

HEAT TREATMENT 30-35 HRC

FINISH

MATERIAL 135x30
 Plate 25 DIN 1543 25CrMo4

18912-W
 Dt: 27-5-2005
 CGA (W), JABALPUR

PREP'D	DATE	BY	CHK'D	DATE	BY
GHE	JWM/DO				
APPROVED					
DO/DO	DIR/DIR	DATE	ORGANISATION		
			DEVELOPMENT CENTRE,		
			JABALPUR		
PART NO.					166-1617

SHARANG 130/155MM_UG_OFB_SIB	SH: of:	11	A3
PART NO.	ASSEMBLY	176-1002	SIZE
LOCKING PIECE			
NAME			

DETAIL D (ALTERNATIVE)

SCALE 10:1

16

1