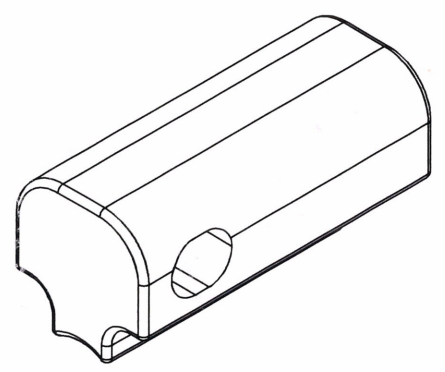
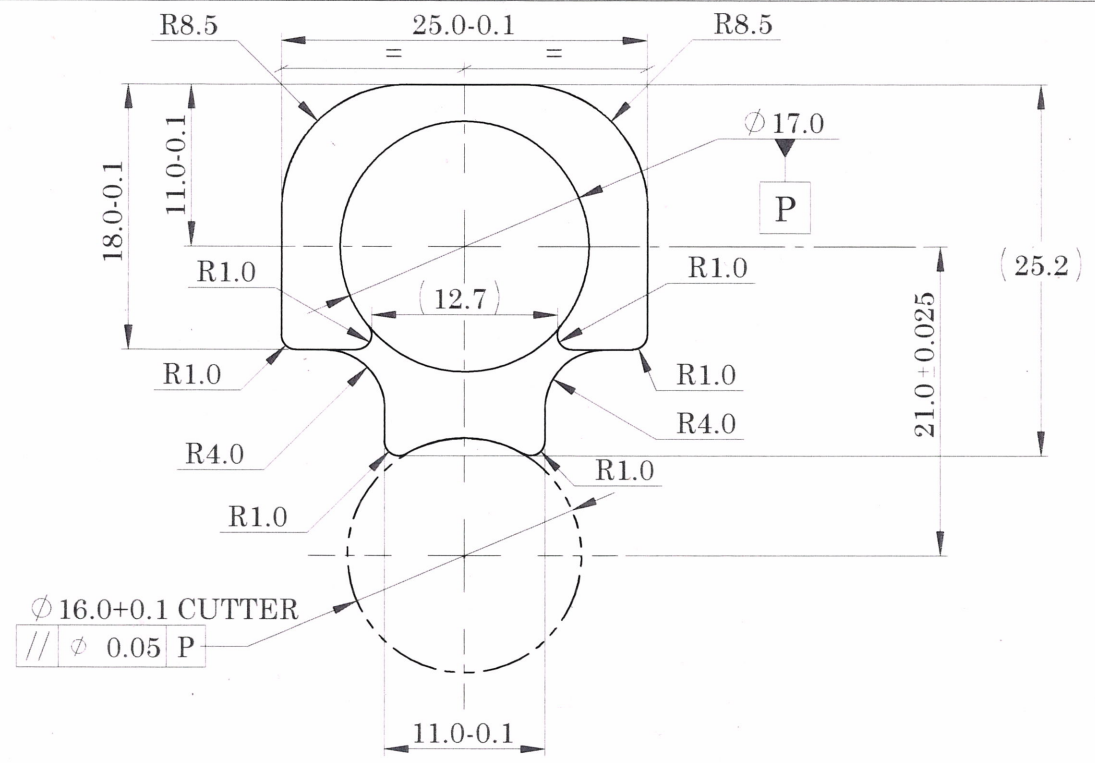
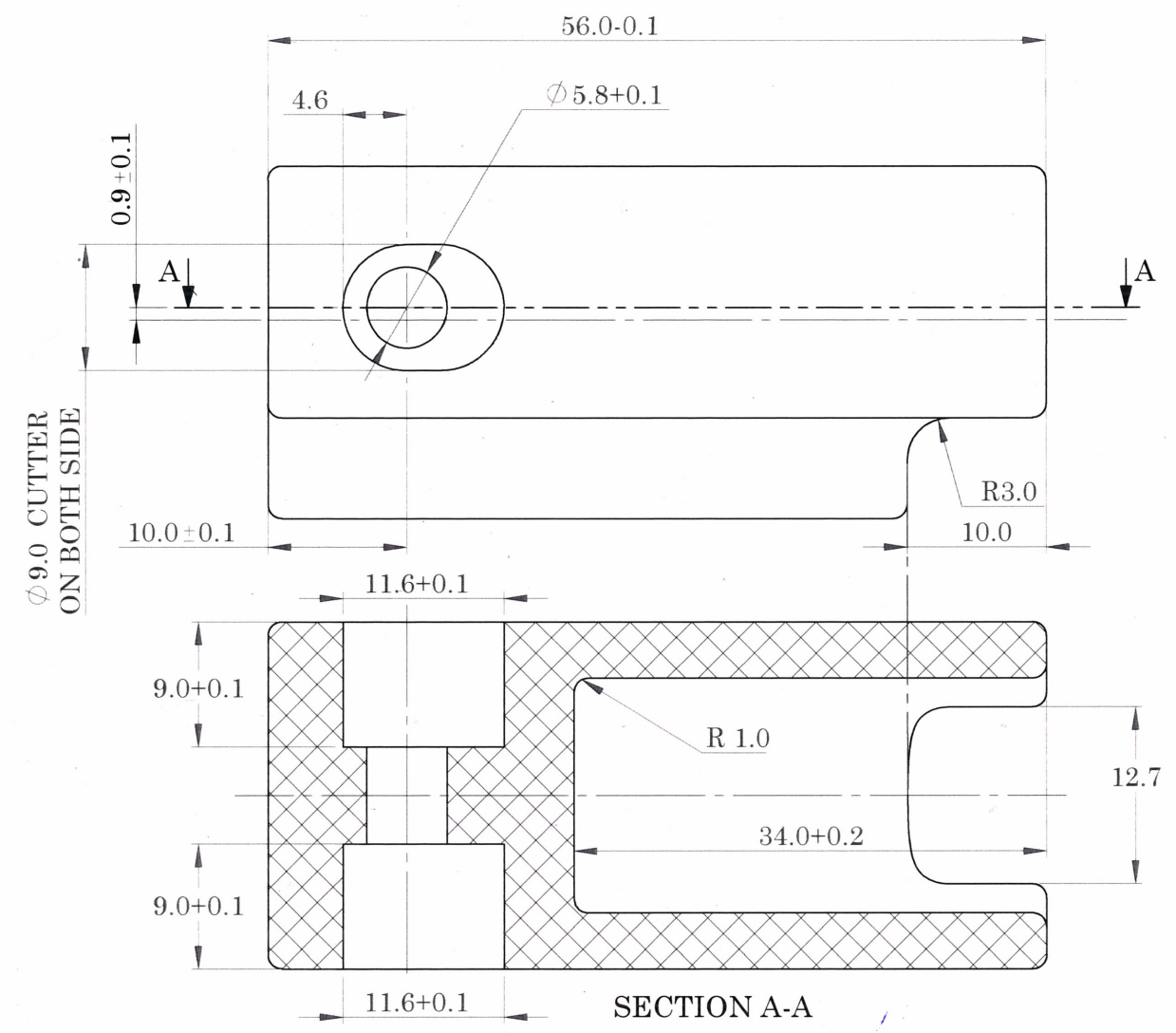


JSS C V VV S SS IC  
 0 0 0 0 0 0 0 1 0 1 0 1 2 1 0 1 0 1 2 DRG No.

GENERAL TOL. : FINE / MEDIUM / COARSE DRG. CONVENTIONS CONFIRM TO INDIAN STANDARDS CLASS TO IS: 2102 DIMENSIONS ARE IN mm UNLESS OTHERWISE STATED.



- NOTE:
- 1.REMOVE ALL SHARP EDGES AND BURRS.
  - 2.NYLON- 6,6; REINFORCED WITH 20% LONG GLASS FIBRE  
Gd. RePlet 31 2001 HI HS1 JBK OR EQUIVALENT.
  - 3.COLOR TO IS 5:2007, ISC No.698-STEEL GREY / BLACK.
  4. ADDITION OF PIGMENT NOT PERMITTED.
  - 5.RADIUS AT ALL EDGES EXTERNAL SHOULD BE R1.0



1.	17/11/2022	MP-01	DIMN. $\phi 5.8+0.1$ WAS $\phi 4.8+0.1$	A-6	<i>Handwritten Signature</i>
Sr. No.	DATE	AUTHORITY	BRIEF RECORD	ZONE	CD GO SIGN
DRN: AKASH	SIGN: <i>Handwritten Signature</i>	DATE: 24/08/2022	CHECKED	MATERIAL: SEE NOTES	
APPD.	DATE: 24/08/2022	FOR DIRECTOR <i>Handwritten Signature</i>		PROTECTIVE FINISH: ---	
SEALED DATE:	SHEET SIZE: A3	EST. MASS	TITLE:		
	SCALE: 2:1	24.71 gm	GUIDE PIECE COCKING		
DESIGN AUTHORITY	ARDE	PUNE 411021			
DRG No.	2 1 0 1	0 1	0 2	0 1	0 5
	IC	SS	S	AA	A
9 mm	PART No.	DS CAT No.	AHSP		

DRG No. 2 1 0 1 0 1 0 2 0 1 0 5 0 0 5 0 0 D B  
 IC SS S AA A C SST