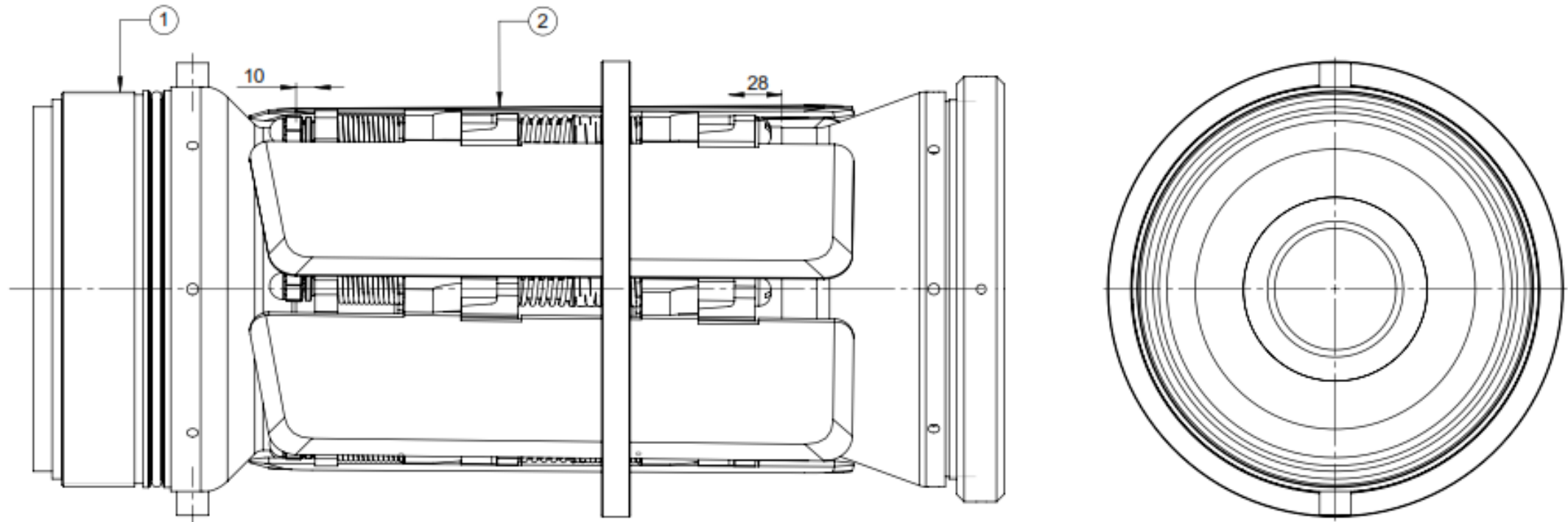


DRG. NO.: **1905 01 01 00 03 000 12DA**

GEN TOL MEDIUM CLASS TO IS:2102 DRG CONVENTIONS CONFORM TO INDIAN STDS. DIM IN mm UNLESS OTHERWISE STATED.

LIST OF COMPONENTS			
ITEM NO.	PART NUMBER	DESCRIPTION	QTY.
1	NOZZLE ASSEMBLY	1905 01 01 03 02 000 00DA	1
2	FLAT FIN ASSEMBLY	1905 01 01 03 01 000 12DA	1



- NOTE:-
- FOR ASSEMBLY PROCEDURE AND DRILLING TAPPING OF GRUB SCREW REFER DRG. No. 1905 01 01 00 03 000 22DA
 - ASSEMBLY PROCEDURE: REFER QAP NO. ARDE / PNK MK-I(ENH) / QAP/ RKT - 06

R No.	DATE	AUTHORITY	BRIEF RECORD	ZONE	CD	GO
DRN: KJR		CHD: SSK	MATERIAL:---			SIGN
APPD DATE		<i>[Signature]</i> SB MUKANE, Sc.'F' For Director	PROTECTIVE FINISH:- --			
SEALED DATE:						
SCALE 1:1		EST MASS:	TITLE			
DESIGN AUTHORITY ARDE			STABILIZER ASSEMBLY			
DRG No.	1905 01 01 00 03 000 12DA					
PART No.		DS CAT No.		AHSP		