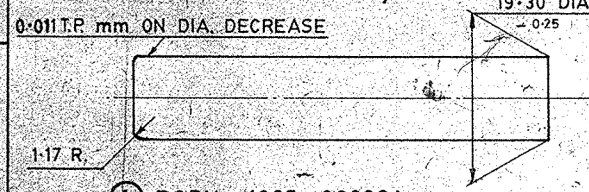
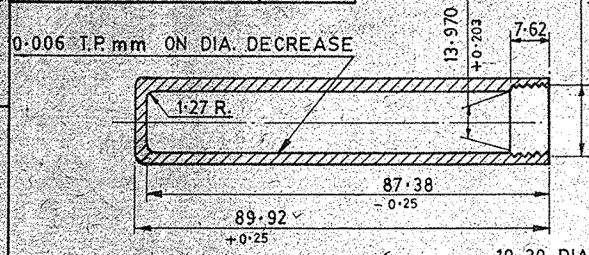
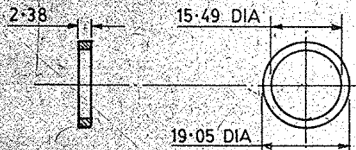


8 7 6 5 4 3 2 1  
 8ZE000-0001 ON  
 7ZE000-5001 1/2 SD  
 6ZE000-0001 1/2 SD  
 5ZE000-5001 1/2 SD  
 4ZE000-0001 1/2 SD  
 3ZE000-5001 1/2 SD  
 2ZE000-0001 1/2 SD  
 1ZE000-5001 1/2 SD



① BODY - 1005-000324

MATERIAL: - PHENOLIC MOULDING MATERIALS TO SPECN. BS. 771 PT. 1:1980 Gr. & TYPE PF 2A1.  
 ALT. MATERIAL: - PHENOLIC MOULDING MATERIAL Gr. 3 TO SPECN. IS:1300:1966 OR POLYSTYRENE MOULDING MATERIAL TYPE 3 TO SPECN. IS:2267-1972. COLOUR: - BLACK OR BROWN.



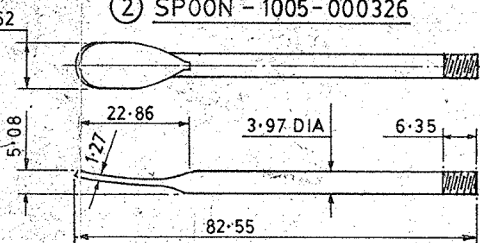
③ WASHER - 1005-000328

MATERIAL: - LEATHER COW, CURRIED TO SPECN. IS: 580-1973 OR PHENOLIC MOULDING MATERIAL TO SPECN. BS. 771 PT. 1: 1980 GR. & TYPE PF 2A1 OR PHENOLIC MOULDING MATERIAL GR. 3 TO SPECN. IS: 1300: 1966. COLOUR: - BLACK OR BROWN.

NOTE: - TO GOVERN MANUFACTURE AND INSPECTION REFER CQA(SA) SPECN. NO. CISA/1163 OF LATEST ISSUE.

0.525" DIA. 20 T.P. 25.4 mm SINGLE START THREAD WHIT. FORM. 0°-15' SINGLE TAPER

② SPOON - 1005-000326

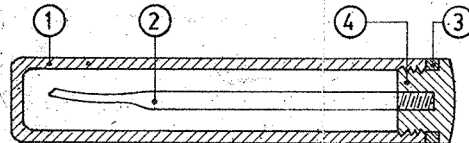


NOTE: - ALTERNATIVELY THE SPOON MAY BE MOULDED WITH STOPPER AS ONE UNIT. AS ALTERNATIVE MATERIAL MS TINNED MAY BE USED.

0.620" DIA. 20 T.P. 25.4 mm R.H. SINGLE START THREAD WHIT. FORM. 0°-15' SINGLE TAPER.

5/32" DIA. 40 T.P. 25.4 mm R.H. SINGLE START THREAD WHIT. FORM.

MATERIAL: - PHENOLIC MOULDING MATERIALS TO SPECN. BS. 771 PT. 1:1980 Gr. & TYPE PF 2A1.  
 ALT. MATERIAL: - PHENOLIC MOULDING MATERIAL Gr. 3 TO SPECN. IS:1300:1966 OR POLYSTYRENE MOULDING MATERIAL TYPE 3 TO SPECN. IS:2267-1972.



NOTE: - CONTRACTOR'S CODE MARK TO BE MARKED HERE.

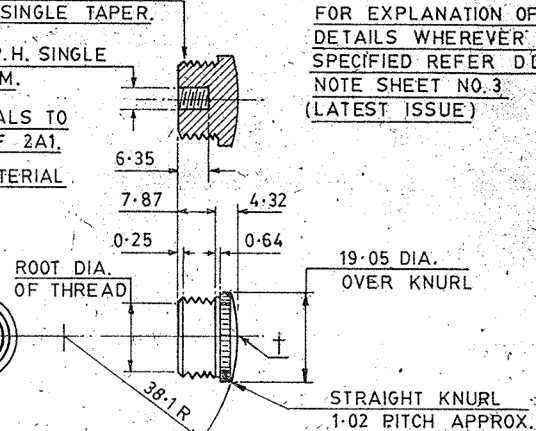
5/32" DIA. 40 T.P. 25.4 mm R.H. SINGLE START THREAD WHIT. FORM.

MATERIAL: - PHENOLIC MOULDING MATERIALS TO SPECN. BS. 771 PT. 1:1980 Gr. & TYPE PF 2A1.

ALT. MATERIAL: - PHENOLIC MOULDING MATERIAL Gr. 3 TO SPECN. IS:1300:1966 OR POLYSTYRENE MOULDING MATERIAL TYPE 3 TO SPECN. IS:2267-1972.

COLOUR: - BLACK OR BROWN.

FOR EXPLANATION OF DETAILS WHEREVER NOT SPECIFIED REFER DD NOTE SHEET NO. 3 (LATEST ISSUE)



④ STOPPER - 1005-000327

STOPPER ASSY: - 1005-000325  
 COMPRISING: - SPOON: - 1005-000326  
 STOPPER: - 1005-000327

COLOUR: - BLACK OR BROWN

R B 500  
 CES

METRIC

23296-SA	21-3-96	MATERIAL AMENDED	4/1	3/10
22793-SA	3-1-95	MANUFACTURE, INSPECTION NOTE & GAUGE SCH. NO ADDED	3/10	3/10
22689-SA	25-10-94	PROFORMA CONVERTED FROM A2 TO A3 SIZE, NEG. RETRACED AND DRG. ARE SEALED.	3/10	3/10
		PREVIOUS D.C NOS. 11782-SA, 15486-SA, 17742-SA, 17772-SA, 17840-SA, 18770-SA & 19581-SA	COPY	COPY

AUTHY/DATE	ZONE	BRIEF	RECORD	CD	CO
SEALED	D.C	11782-SA, DATE	5-7-73	SIGN	

NOMENCLATURE BOTTLE, OIL, MK V

DGN	DRN	CHD	TRD	COMP	ASSY.
				SA/11-28 SHT. NO. 1	SCALE 1:1
					DG NR'S ISA-669
					REF. DET. SHTS
					DRG. NO/PART No.
					A H S P CQA(SA), ICHAPUR
					DS. CAT. NO. 1005-000323, 1005-000324, 1005-000326/1005-000327, 1005-000328