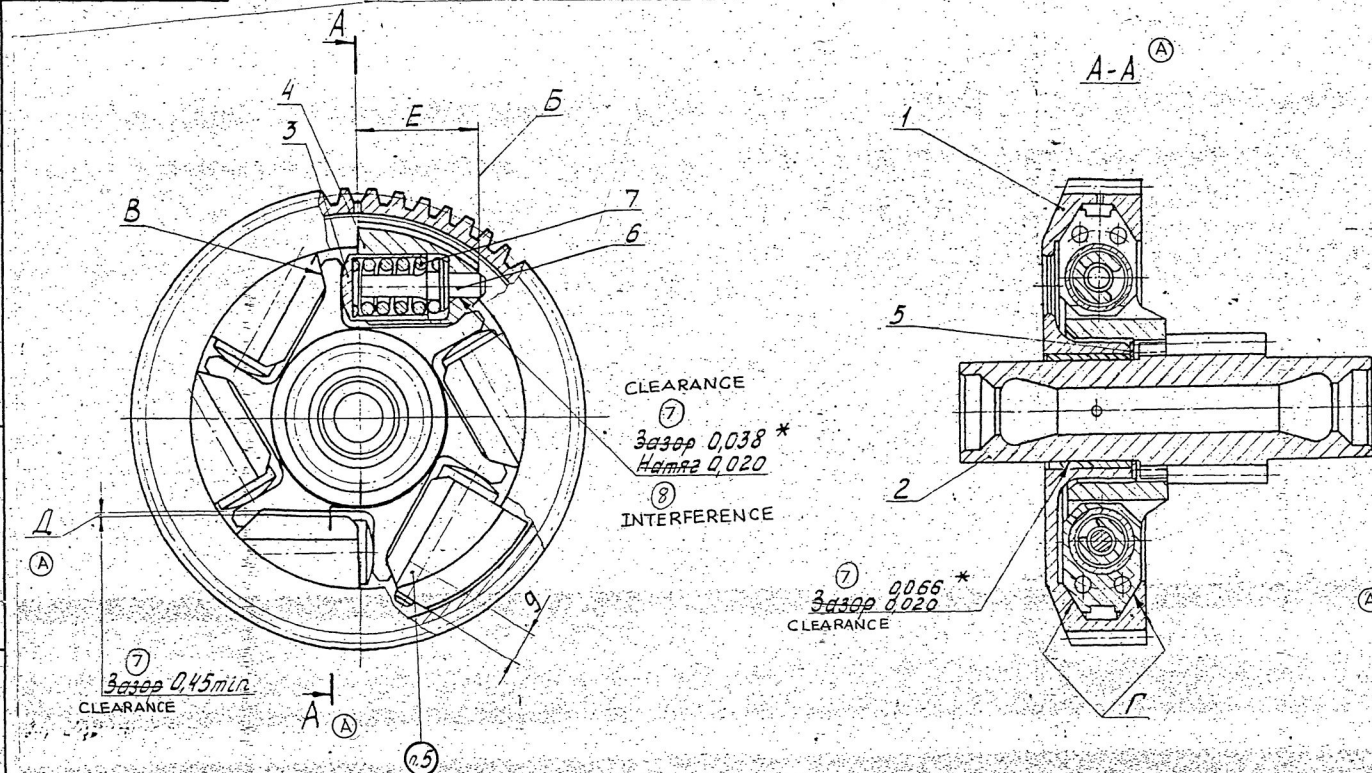


DRAWING NUMBER
CB 3338-412-2C6



1. MASS OF SET OF BLOCK (BLOCK, ITEM 4 - CAP, ITEM 3 - PIN, ITEM 6 AND SPRING, ITEM 7) IS (115 ± 5) g; DIFFERENCE OF WEIGHTS OF BLOCKS FOR ONE CLUTCH SHOULD NOT EXCEED 0.5g.

2. DURING ADJUSTMENT OF MASS OF BLOCKS THE METAL MAY BE REMOVED FROM THE SURFACE B; IN THIS CASE DIMENSION E SHOULD NOT BE LESS THAN 34mm.

3. SURFACES Γ ARE TO BE LAPPED; CONTACT OF SURFACES Γ OF BLOCK SHOULD COVER AT LEAST 80% OF AREA.

4. WHILE CHECKING THE CLEARANCE Δ , BLOCK IS TO BE PRESSED TO THE SURFACE B OF CARRIER.

5. SET NO. AS PER SERIAL NO. OF GEAR, ITEM 1 SHOULD BE MARKED BY PUNCHING; TYPE IS $\Gamma 0-2.5$ GOST 2930-62.

6. * DIMENSIONS FOR REFERENCE.

PILOT SAMPLE SHOULD BE APPROVED BY A H S P BEFORE BULK PRODUCTION.

EST. WT. 2.45 kg	TO BE STAMPED OR MARKED WHERE INDICATED THUS # (LETTERS)
ALL SHARP EDGES AND CORNERS TO BE REMOVED UNLESS OTHERWISE STATED MACHINED CORNERS TO HAVE R OUT-SIDE R INSIDE EQUIVALENT CHAMFERS ARE PERMISSIBLE.	

DRN	<i>Abank</i>	MATERIAL :-	USED ON :-
CHD	<i>mk</i>		CB 3338-401-10
TCO	<i>ulthman</i>		
APPD	<i>mk</i>	CONTROLLERATE OF QUALITY ASSURANCE (HEAVY VEHICLES) AVADI	
DATE	17-5-96	TITLE: SUB ASSY FLEXIBLE FRICTION CLUTCH	
SCALE	1:1		
DIMENSIONS IN mm		D S CAT NUMBER	DRAWING NUMBER CB 3338-412-2C6
TOLERANCE ON DIMNS UNLESS OTHERWISE STATED IS 2102-69			
A	17-5-96	ALL THREADS TO CONFORM TO	
ISSUE	DATE	NATURE OF AMENDMENTS	



I/L CREATED BASED ON RUSSIAN ORIGINAL ISSUE-NIL (BK 81-16) USED ON CB 3338-401-10

ITEM	DRAWING NUMBER	D S CAT NUMBER	DESCRIPTION	No OFF	REMARKS
	CB 3338-412-2		Ⓐ FLEXIBLE FRICTION		
	& ITEM LIST		CLUTCH ASSY		
1	CB 3338-109 CB		LARGE GEAR TRAIN	1	
	& ITEM LIST				
2	CB 3338-410-3		SMALL GEAR TRAIN	1	
	& ITEM LIST				
3	3338-55-4		BLOCK SPRING CAP	6	
4	3338-57-4		BLOCK	6	
5	3338-148		WASHER	1	
6	3338-469-1		BLOCK PIN	6	
7	3338-471		SPRING	6	

A 11.5.96 AUTHY BK No 83-836

ISSUE	DATE	NATURE OF AMENDMENTS	ISSUE	DATE	NATURE OF AMENDMENTS
DRN		CONTROLLERATE OF INSPECTION(HEAVY VEHICLES) AVADI			
CHD	<i>[Signature]</i>	TITLE:			
TCD	<i>[Signature]</i>	Ⓐ FLEXIBLE FRICTION CLUTCH ASSY			
APRD	<i>[Signature]</i>	SHT No 1 OFF 1	D S CAT NUMBER	ITEM LIST FOR	
DATE	2/5/87			CB 3338-412-2	

