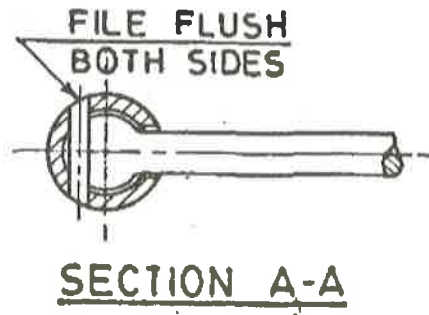
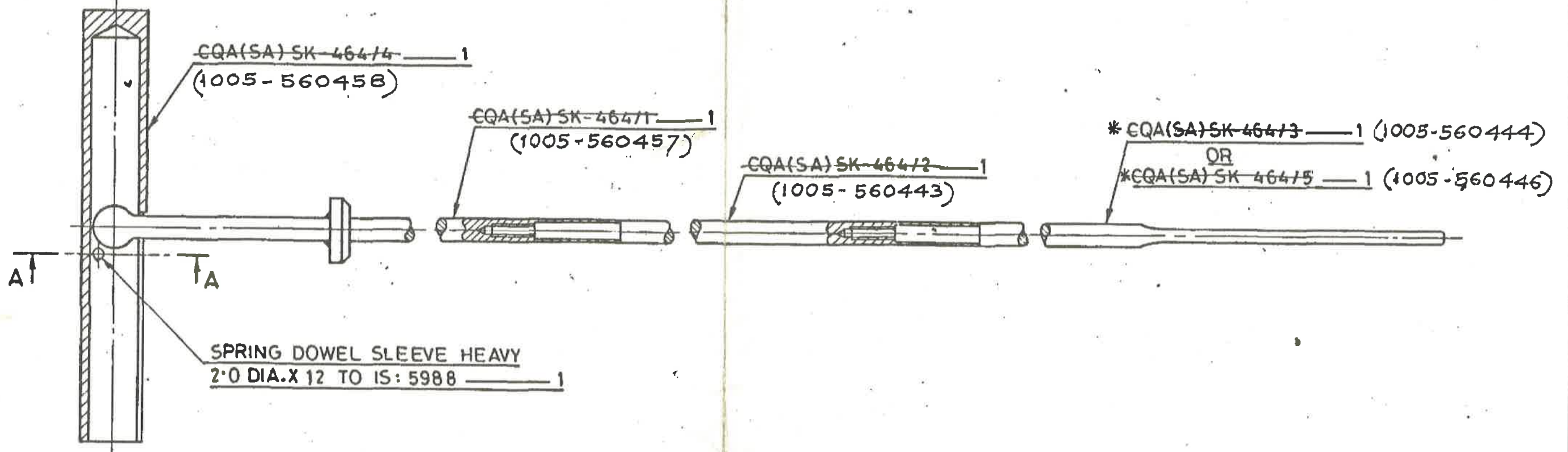


D.S.CAT. NO. 1005-560440

DRAWING CONVENTIONS CONFORM TO JSG:0104
DIMNS. ARE IN mm. GEN. TOL. "MEDIUM" IS : 2102



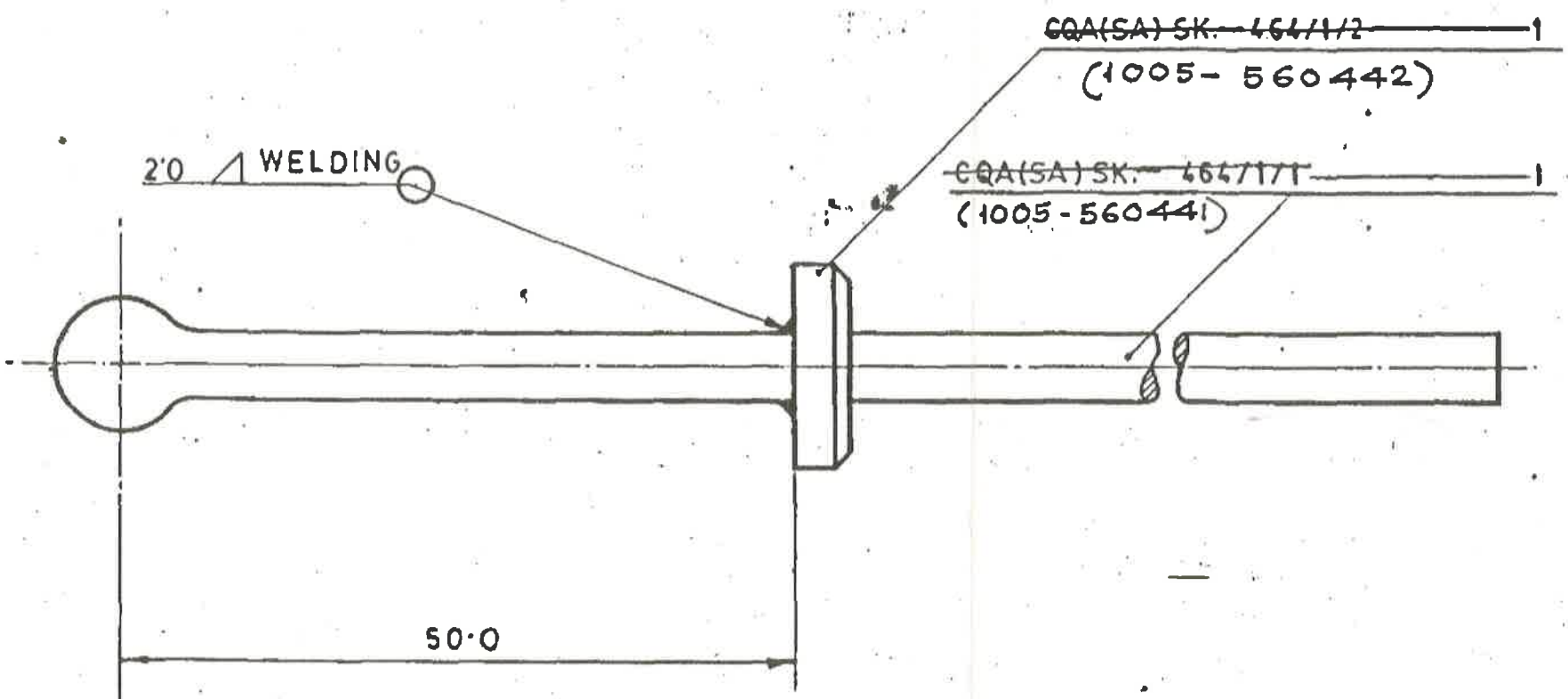
* NOTE:-
THE COMPLETE ASSEMBLY COMPRISES OF BOTH
THE ITEMS.

CERTIFIED COPY OF THE
STORE DRG/GAUGE DRG/Sch/
SPECN/NOTE SHT.
DATE: 24.03.10 For CD

01-08-07 26364-SA		NOM. AMENDED & D.S.CAT. NO ADDED		DRN. <i>[Signature]</i> CHD. <i>[Signature]</i> TRD. <i>[Signature]</i> COMP. <i>[Signature]</i>		AHSP. CQA(SA), ICHAPUR.	
23-12-2002 25629-SA		NOTE ADDED.		SCALE:- 1:1		EST. MASS.	
17-04-02 25330-SA		NOMENCLATURE AMENDED AND DRG. PROV. SEALED		DT. 22.3.02		APPROVED. <i>[Signature]</i>	
DATE	AUTHY.	BRIEF RECORD.		ZONE	I/C; D.O.	DT. 22.3.02	J50 FOR CQA(SA)
SEALED:- PROV. DC. NO. 25330-SA DT. 17-04-02				SIGN.		MATERIAL:-	
NOMENCLATURE:- ROD CLEANING SMALL ARMS						H.T./HARDNESS:-	
						PROTECTIVE FINISH:-	
						ASSY.	
						DGNR'S REF. ARDE/TA/94/35	
						PART NO.	
						DRG. NO. CQA(SA)SK-464	
						D.S.CAT. NO. 1005-560440	

D.S. CAT. NO. 1005-560457

DRAWING CONVENTIONS CONFORM TO, JSG:0104.
DIMNS. ARE IN mm GEN. TOL "MEDIUM" IS: 2102

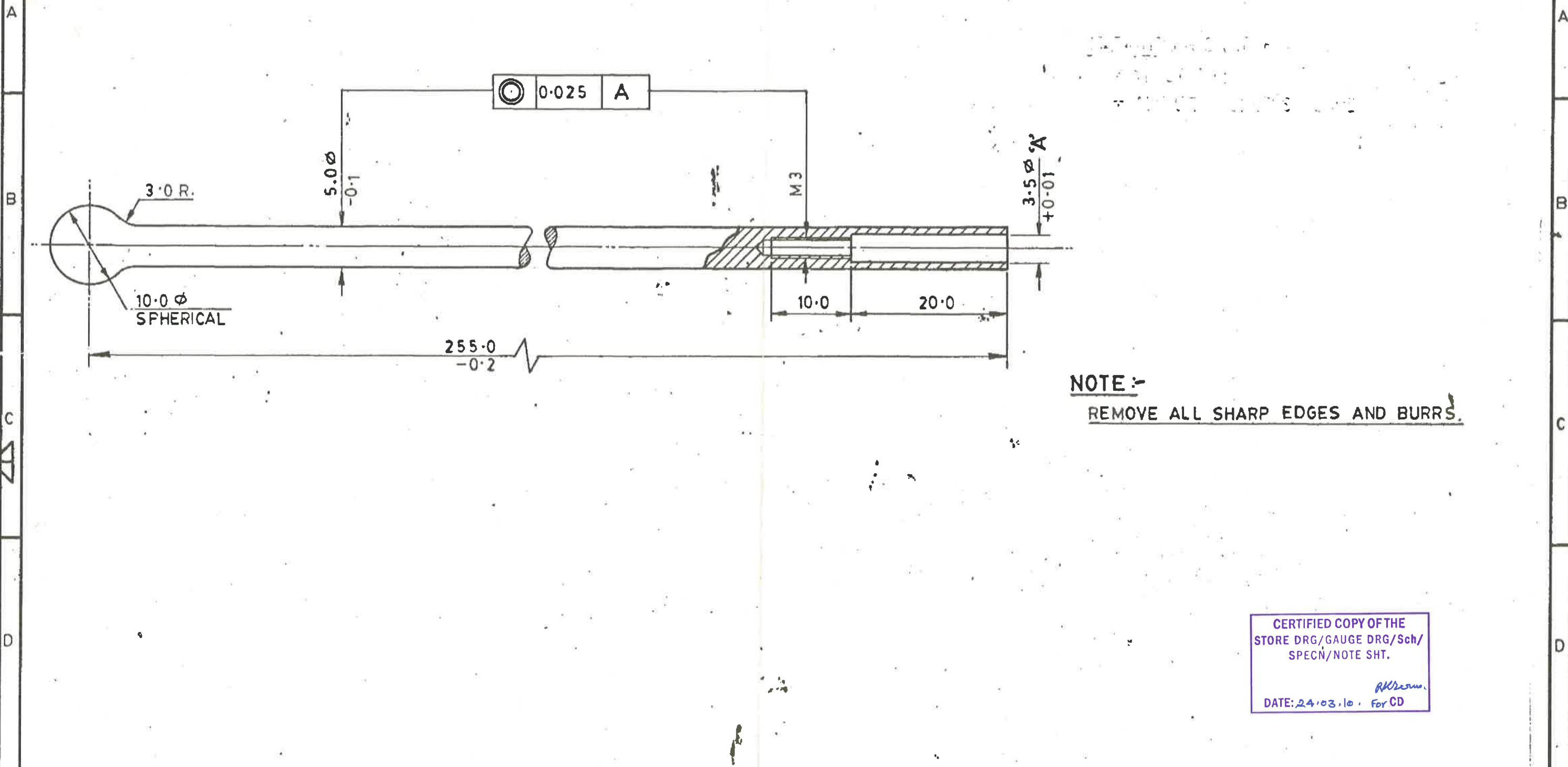


CERTIFIED COPY OF THE
STORE DRG/GAUGE DRG/Sch/
SPECN/NOTE SHT.
DATE: 24.03.10 For CD
PK Ramu.

				DRN. <i>GC</i>		CHD. <i>GC</i>		TRD.		COMP.		AHSP CQA(SA)-ICHAPUR	
				SCALE: - 2:1				EST. MASS				ASSY. 1005-560440	
						<i>Kram</i>		APPROVED		<i>MS</i>		JSD FOR CQAS	
1-8-07		26364 SA		NOM. AMENDED & D.S. CAT. NO. ADDED		<i>Acted</i>		DT. 22.3.02		<i>MS</i>		DT. 22.3.02	
17-04-2002		25330-SA		DRAWING. PROV. SEALED.		<i>Kram</i>		MATERIAL: -		<i>MS</i>		DGNR'S ARDE/TA/94/35 REF. DET-1	
DATE AUTHY.		BRIEF RECORD		ZONE I/C; D.O.		G.O.		H.T./HARDNESS: -				PART. NO.	
SEALED: - PROV. DC. NO. 25330-SA		DT. 17.04.2002		SIGN.				PROTECTIVE: - PHOSPHATE TO SPECN. JSS-0465-01:				DRG. NO. CQA(SA)SK-464/1	
NOMENCLATURE: -		ROD SECTION CLEANING SMALL ARMS						FINISH		1994 CLASS II (ACCELERATED) OIL FINISH		D.S. CAT. NO. 1005-560457	

D.S.CAT. NO. 1005-560441

DRG. CONVENTIONS CONFORM TO JSG:0104
DIMNS. ARE IN mm. GEN. TOL. 'MEDIUM' IS: 2102



NOTE :-
REMOVE ALL SHARP EDGES AND BURRS.

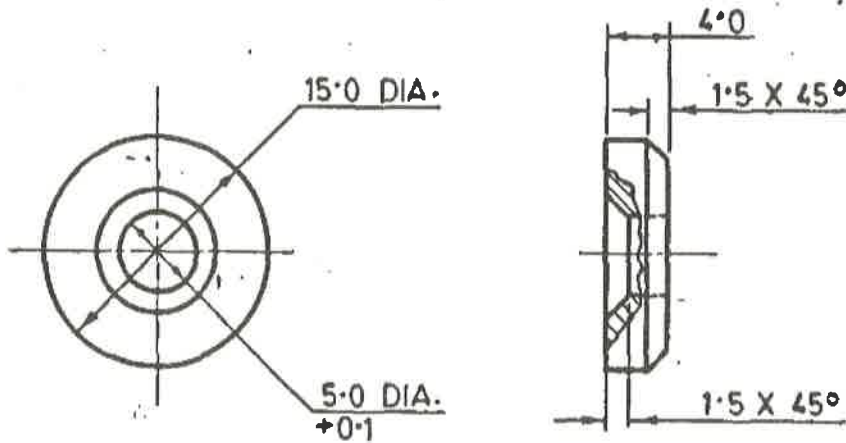
CERTIFIED COPY OF THE
STORE DRG/GAUGE DRG/Sch/
SPECN/NOTE SHT.
DATE: 24.03.10 For CD

3-8-07	26366-SA	NOM. AMENDED & D. S. CAT. NO. ADDED			DRN. SHARDA	CHD.	TRD.	COMP.	AHSP. CQA(SA), ICHAPUR
5-8-03	25837-SA	MARKING NOTE & SYMBOL DELETED.							ASSY: 1005-560457
14.05.2003.	25746-SA	MARKING NOTE ADDED & POSITION OF MARKING SHOWN.	B/3.		DT. 22.3.02		EST. MASS:- APPROVED.	JSD	FOR CQA(SA)
17-04-2002.	25330-SA	DRAWING PROV. SEALED.					MATERIAL :- STEEL BS: 970 Pt.1, 1983, Gd. 080 M 40 (En 8).		DGNR'S REF. :- ARDE/TA/94/35 DET. 2
DATE	AUTHY.	BRIEF RECORD	ZONE	I/C; D.O.	G.O.	H.T./HARDNESS:-			PART NO.
SEALED:- PROV. DC. NO. 25330-SA DT. 17.04.2002.					SIGN.	PROTECTIVE PHOSPHATE TO SPECN. JSS:0465-01:1994			DRG. NO. CQA(SA) SK.464/1/1
NOMENCLATURE:- ROD CLEANING, REAR.MIDDLE						FINISH:- CLASS II (ACCELERATED), OIL FINISH.			D. S. CAT. NO. 1005-560441

2
3
4
D.S.CAT. NO. 1005-560442

DRG. CONVENTIONS CONFORM TO JSG:0104
DIMNS. ARE IN mm. GEN. TOL. "MEDIUM" IS:2102

REMOVE ALL SHARP EDGES AND BURRS

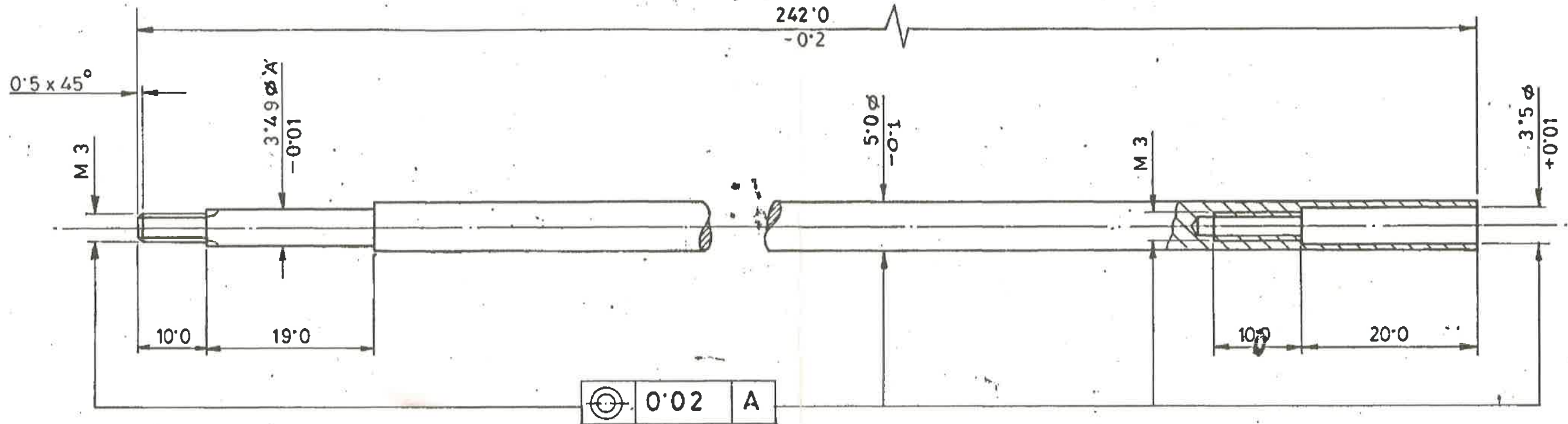


CERTIFIED COPY OF THE
STORE DRG/GAUGE DRG/Sch/
SPECN/NOTE SHT.
DATE: 24.03.10 For CD

3-8-07	26366-SA	NOM. AMENDED & D.S. CAT NO ADDED			
17.04.2002	25330-SA	DRAWING PROV. SEALED			
DATE	AUTHY.	BRIEF RECORD		ZONE	I/C,D.O. G.O.
SEALED:- PROV. DC. NO. 25330-SA DT. 17-04.2002.					SIG.
DRN. <i>Ram</i>	CHD. <i>Ram</i>	TRD.	COMP.	AHSP, CQA(SA)ICHAPUR	
SCALE: 2:1		EST. MASS:-		ASSY. 1005-560457	
DT. 22.3.02	<i>Ram</i> I/C,D.O.	APPROVED DT. 22.3.02	<i>[Signature]</i> FOR CQA(SA)		
MATERIAL :- STEEL BS:970 PT. 1:1983:Gr. 080 M 40(En8)					
H.T./HARDNESS:-				DGNR'S ARDE/TA/94/35 REF. DET. NO. 3	
PROTECTIVE FINISH :- PHOSPHATE TO SPECN. JSS-0465-01:1994 CLASS-II (ACCELERATED), OIL FINISH.				PART NO.	
NOMENCLATURE :- STOPPER				DRG. NO. CQA(SA) SK 464/1/2	
				D.S. CAT. NO. 1005-560442	

D.S.CAT. NO. 1005-560443

DRAWING CONVENTIONS CONFORM TO JSG: 0104
DIMNS. ARE IN mm. GEN. TOL. "MEDIUM" IS: 2102



REMOVE ALL SHARP EDGES AND BURRS.

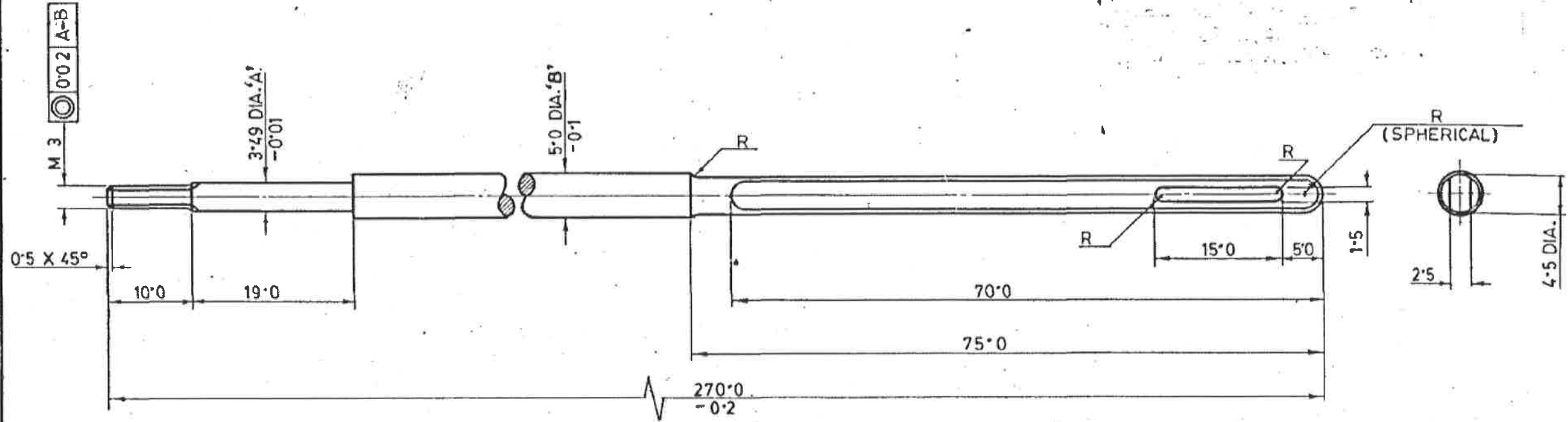
CERTIFIED COPY OF THE
STORE DRG/GAUGE DRG/Sch/
SPECN/NOTE SHT.
DATE: 24.08.10 For CD

DRN. <i>Handwritten</i>	CHD. <i>Handwritten</i>	TRD.	COMP.	AHSP. CQA(SA), ICHAPUR
SCALE :- 2:1		EST. MASS :-		ASSY. 1005-560440
DT. 22.3.02	I/C; D.O.	DT. 22.3.02	J50 FOR CQA(SA)	DGNRS REF. ARDE/TA/94/35 DET. 4
MATERIAL :-	STEEL BS 970 Pt. 1: 1983, Gr. 070 M55 (En 9)			PART NO.
H.T./HARDNESS :-	250 TO 300 H.V.			DRG. NO. CQA(SA)SK-464/2
PROTECTIVE FINISH :-	PHOSPHATE TO SPECN. J55-0465-01: 1994 CLASS II. (ACCELERATED), OIL FINISH.			D.S. CAT. NO. 1005-560443
DATE AUTHY.	BRIEF RECORD.	ZONE I/C; D.O.	G.O.	
SEALED :-	PROV. D.C. NO. 25330-SA DT. 17-04-02	SIGN.		
NOMENCLATURE :-		ROD CLEANING REAR MIDDLE		

D.S.CAT. NO. 1005-560444

DRAWING CONVENTIONS CONFORM TO JSG:0104
DIMNS. ARE IN mm GEN. TOL. "MEDIUM" IS: 2102

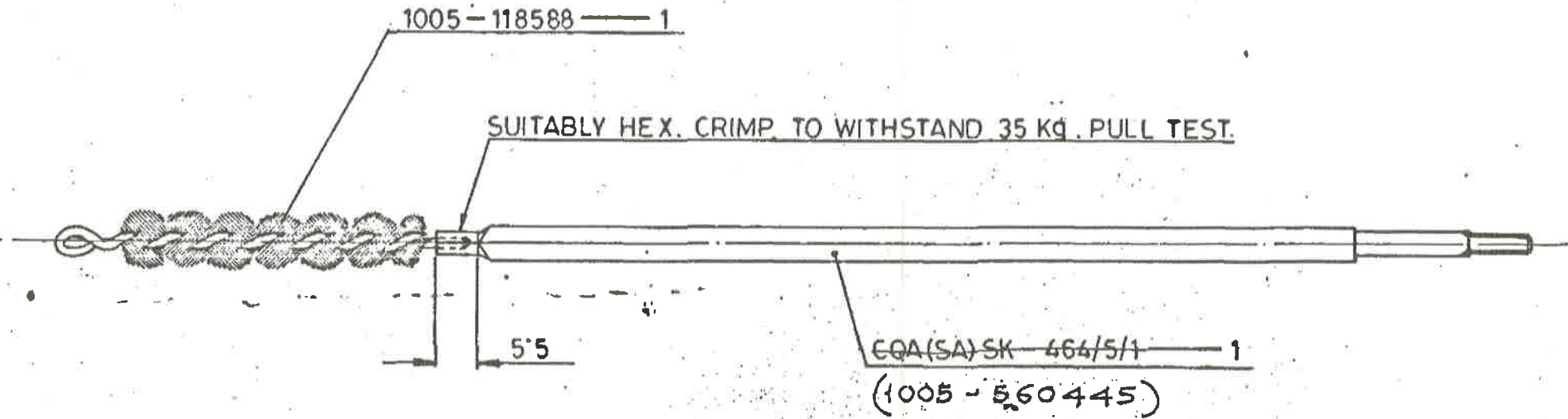
REMOVE ALL SHARP EDGES AND BURRS



					DRN. <i>RKSarna</i>	CHD. <i>[Signature]</i>	TRD.	COMP.	AHSP, CQA(SA), ICHAPUR
					SCALE: 2:1		EST. MASS.		ASSY. 1005-560440
2-08-07	26365-SA	NOM. AMENDED & D.S.CAT NO. ADDED		<i>[Signature]</i> CD			APPROVED		
5-8-03	25837-SA	MARKING NOTE & SYMBOL DELETED.		<i>[Signature]</i> CD	DT. 22.3.02	I/C, D.O.	DT. 22.3.02	FOR CQA(SA)	
14-05-2003	25746-SA	MARKING NOTE ADDED & POSITION OF MARKING SHOWN.	B/3	<i>[Signature]</i> CD	MATERIAL: STEEL BS:970 PART 1.1983 Gr. 070 M 55 (En 9)				DG NR'S ARDE/TA/94/35 REF DET. 5
17-04-2002	25330-SA	DRAWING PROV. SEALED		<i>[Signature]</i> CD	H.T/HARDNESS: 250 - 300 H.V.				PART NO.
DATE	AUTHY	BRIEF RECORD	ZONE	I/C, D.O.	G.O.				DRG. NO. CQA(SA)SK 464/3
SEALED: PROV. DC. NO. 25330-SA DT. 17.04.2002.					SIG.				D.S.CAT. NO. 1005 560444
NOMENCLATURE: ROD CLEANING, REAR MIDDLE						PROTECTIVE FINISH: PHOSPHATE TO SPECN. JSS:0465-01: 1994 CLASS II (ACCELERATED) OIL FINISH.			

D.S.CAT.
NO. 1005-560446

DRAWING CONVENTIONS CONFORM TO JSG: 0104
DIMNS. ARE IN mm. GEN. TOL. "MEDIUM" IS: 2102



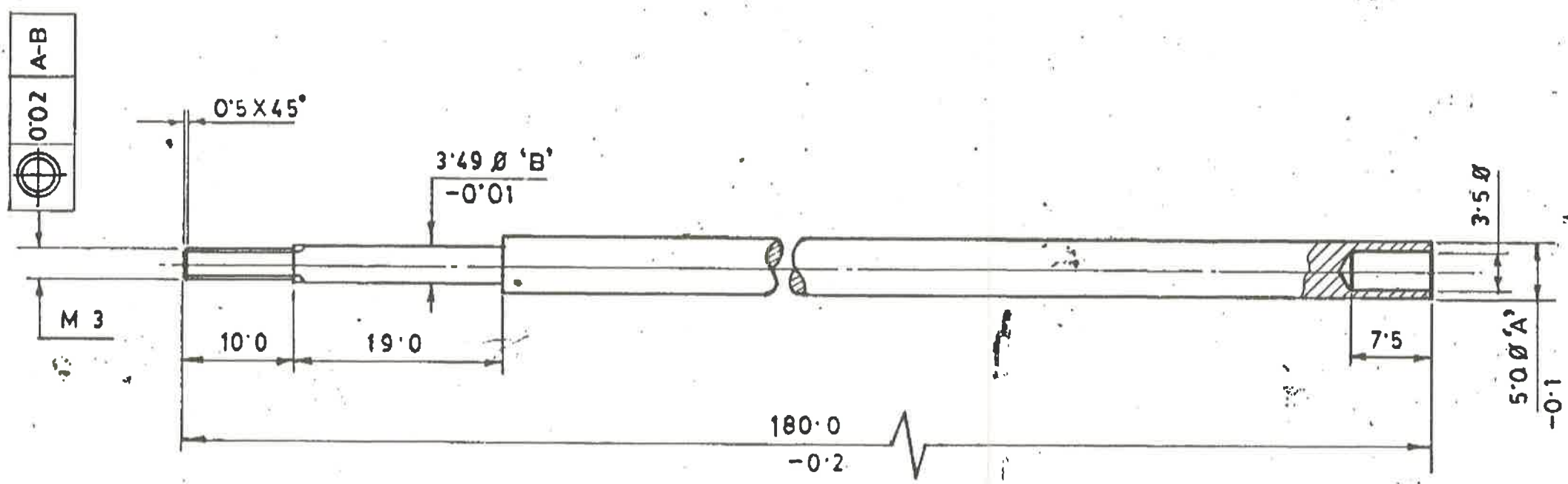
CERTIFIED COPY OF THE
STORE DRG/GAUGE DRG/Sch/
SPECN/NOTE SHT.
DATE: 24.03.10 For CD

				DRN. <i>Handy</i>	CHD. <i>com</i>	TRD.	COMR	AHSP. CQA(SA), ICHAPUR
				SCALE:- 1:1		EST. M.S.S.		ASSY. 1005-560440
				DT. 22.3.02		APPROVED. <i>Kain</i>	JSD FOR CQA(SA)	DGNRS ARDE/TA/94/35 REF. DET-7
2-8-07	26365-SA	NOM. AMENDED & D.S.CAT. NO. ADDED		<i>dit</i>	<i>CD</i>			PART NO.
17.04.2002.	25330-SA	DRAWING. PROV. SEALED.		<i>Kain</i>	<i>CD</i>			DRG. NO. CQA(SA)SK464/5
DATE	AUTHY.	BRIEF RECORD.		ZONE	V/C; DO.	GD.		D.S. CAT. NO. 1005-560446
SEALED:- PROV. DC. NO. 25330-SA DT. 17.04.2002.				SIGN.		H.T./HARDNESS:-		
NOMENCLATURE :-				SIGN.		PROTECTIVE FINISH :-		
BRUSH								

DS CAT NO
1005-560445

DRAWING CONVENTIONS CONFORM TO JSG:0104
DIMNS, ARE IN mm GEN. TOL. "MEDIUM" IS: 2102

NOTE:—
REMOVE ALL SHARP EDGES AND BURRS

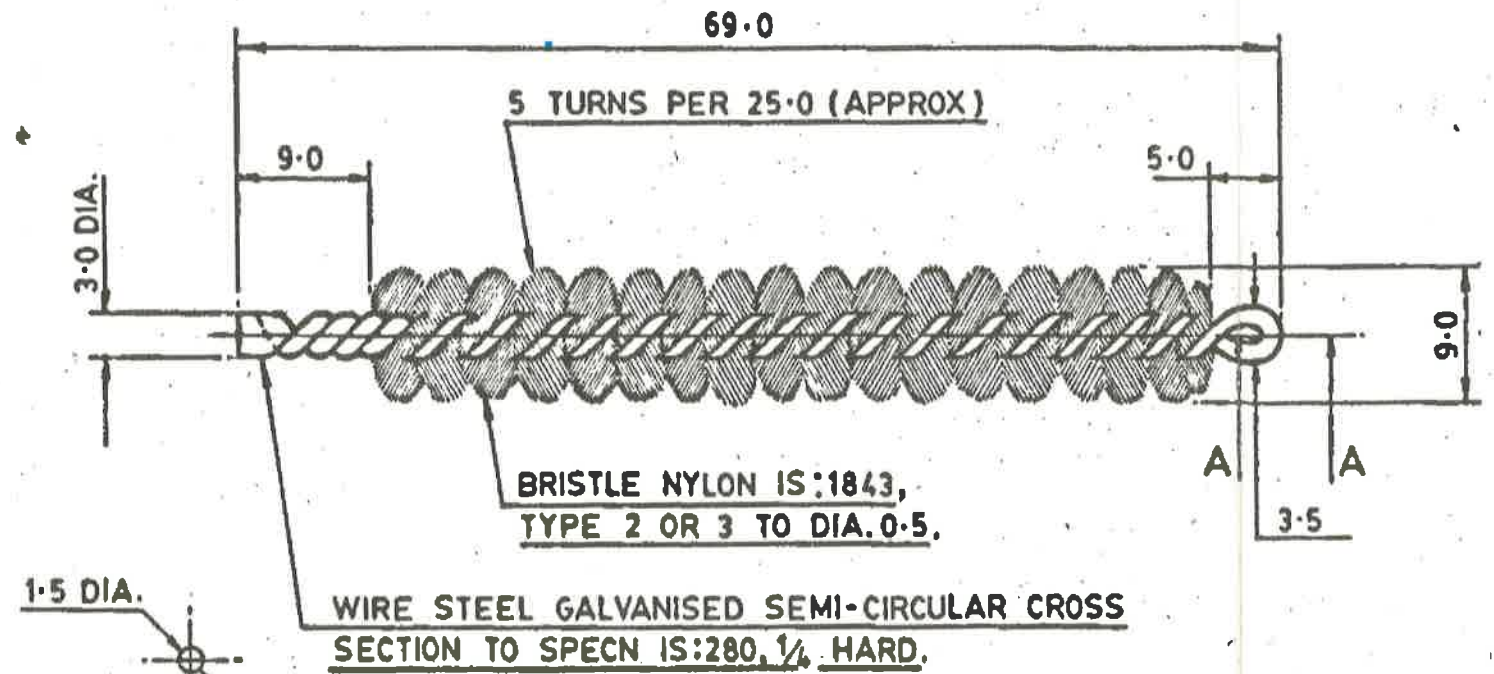


CERTIFIED COPY OF THE
STORE DRG/GAUGE DRG/Sch/
SPECN/NOTE SHT.
DATE: 24.03.10 For CD

2-8-07	26365-SA	NOM. AMENDED & D.S. CAT. NO ADDED			DRN. <i>CD</i>	CHD. <i>CD</i>	TRD.	COMP.	AHSP. CQA(SA)-ICHAPUR	
5-8-03	25837-SA	MARKING NOTE & SYMBOL DELETED							ASSY. 1005-560446	
9-5-03	25742-SA	MARKING NOTE ADDED & MARKING PLACE SHOWN ON DRG.								
17.04.2002	25330-SA	DRAWING, PROV. SEALED			DT. 22.3.02.	I/C;D.O.	DT. 22.3.02	JSG. FOR CQA(SA)	DG NR'S REF. ARDE/TA/94/35	
DATE	AUTHY.	BRIEF RECORD	ZONE	I/C;D.O.	G.O.	MATERIAL:— STEEL BS 970 Pt.1, 1983, Gr.070 M 55 (E n 9)			PART NO.	
SEALED:— PROV. DC. NO. 25330-SA DT. 17.04.2002.				H.T/HARDNESS:— 200 TO 300 HV.			PROTECTIVE FINISH:— PHOSPHATE TO SPECN. JSS-0465-01:1994 CLASS II(ACCELERATED), OIL FINISH.			DRG.NO. CQA(SA)SK-464/57
NOMENCLATURE:— ROD CLEANING REAR MIDDLE							D.S. CAT. NO. 1005-560445			

DS. CAT. 1005-118588

DRAWING CONVENTIONS CONFORM TO JSG:0104.
DIMNS. ARE IN mm. GEN. TOL. COURSE TO IS:2102.



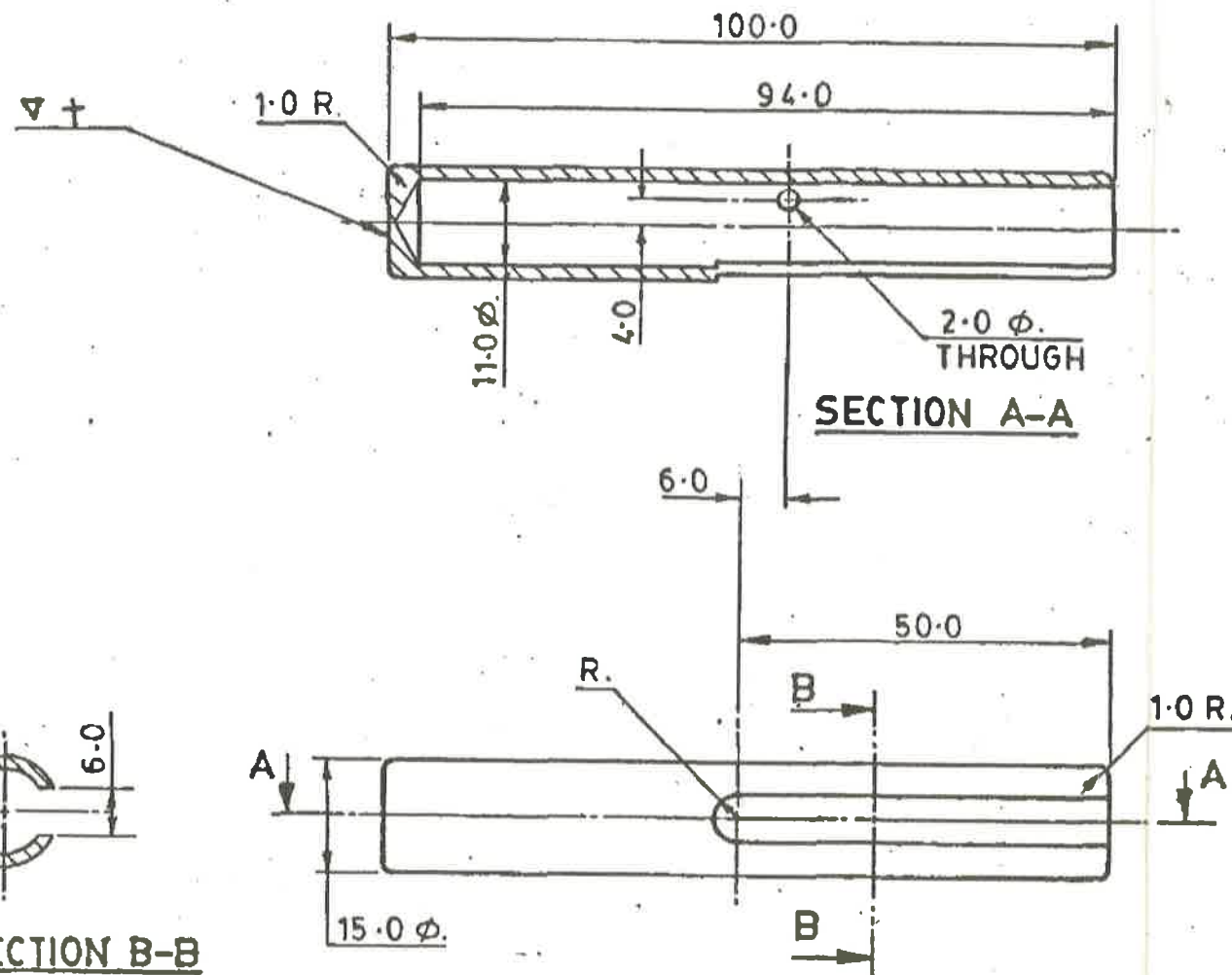
PART SECTION A-A
SCALE-2:1

CERTIFIED COPY OF THE
STORE DRG/GAUGE DRG/Sch/
SPECN/NOTE SHT.
DATE: 24-03-10 FOR CD

				DRN.	CHD.	TRD. <i>Hyosam</i>	COMP. <i>Abantui</i>	AHSP. CQA(SA), ICHAPUR
				SCALE:- 2:1		EST. MASS:		ASSY. DS. CAT. NO. 1005-557946
				DT. 07-12-2000		APPROVED, DT. 27-4-85 (NEGATIVE RE-TRACED)		
07-12-2000	24894-SH	PROFORMA CHANGED, DS. CAT. NOS. ADDED, NEGATIVE RE-TRACED AND DRAWING PROV. RE-SEALED.		<i>Auley</i>	<i>M. DAG</i>	MATERIAL: AS STATED		DGNR'S ARDE TA/94/25/5 REF. 3 SHTS, SHT. NO. 2
		PREVIOUS D.C. NOS. 23725-SA, 24425-SA.		COPY	COPY	H.T./HARDNESS:		PART NO.
DATE	AUTHY.	BRIEF RECORD		ZONE	I/C/D.O.	SIGN.		ORG. NO.
SEALED:-		PROV. SEALED D.C. 23725-SA, DT. 12-3-97				PROTECTIVE FINISH:		DS. CAT. NO. 1005-118588
NOMENCLATURE: BRUSH (PULL THROUGH)								

D.S.CAT. NO. 1005-56045B

DRG. CONVENTIONS CONFORM TO JSG:0104
 DIMNS. ARE IN mm. GEN. TOL. "MEDIUM" IS: 2102
 MARKING ON SAMPLE BY STAMPING AS SHOWN IN THE DRAWING.
 MINIMUM SIZE OF LETTER 2mm.
 ▽ Yr OF Mfg.
 † MANUFACTURER'S CODE



NOTE:-
 REMOVE ALL SHARP EDGES AND BURRS.

CERTIFIED COPY OF THE
 STORE DRG/GAUGE DRG/Sch/
 SPECN/NOTE SHT.
 DATE: 24.03.10. For CD

DRN. Shamsda	CHD. <i>[Signature]</i>	TRD.	COMP.	AHSP. CQA(SA), ICHAPUR
SCALE:- 1:1	EST. MASS:-	APPROVED.		ASSY. 1005-560440
DT. 22.3.02	IC:DO. DT. 22.3.02	JSD CQA(SA)		DG NR'S REF.:- ARDE/TA/94/35/6
MATERIAL:- STEEL BS:970 Pt.1:1983 Gr. 080 M 40 (En8).				PART NO.
H.T./HARDNESS:-				DRG. NO. CQA(SA) SK. 464/4
PROTECTIVE PHOSPHATE TO SPECN. JSS:0465:01-1994				D.S.CAT. NO. 1005-56045B
FINISH:- CLASS II (ACCELERATED), OIL FINISH.				
DATE AUTHY. BRIEF RECORD	ZONE I/C;D.O. G.O.	SIGN.		
SEALED:- PROV. DC. NO. 25330-SA DT. 17.04.2002.				
NOMENCLATURE:-	HANDLE/HANDLE ASSY. CLEANING ROD.			