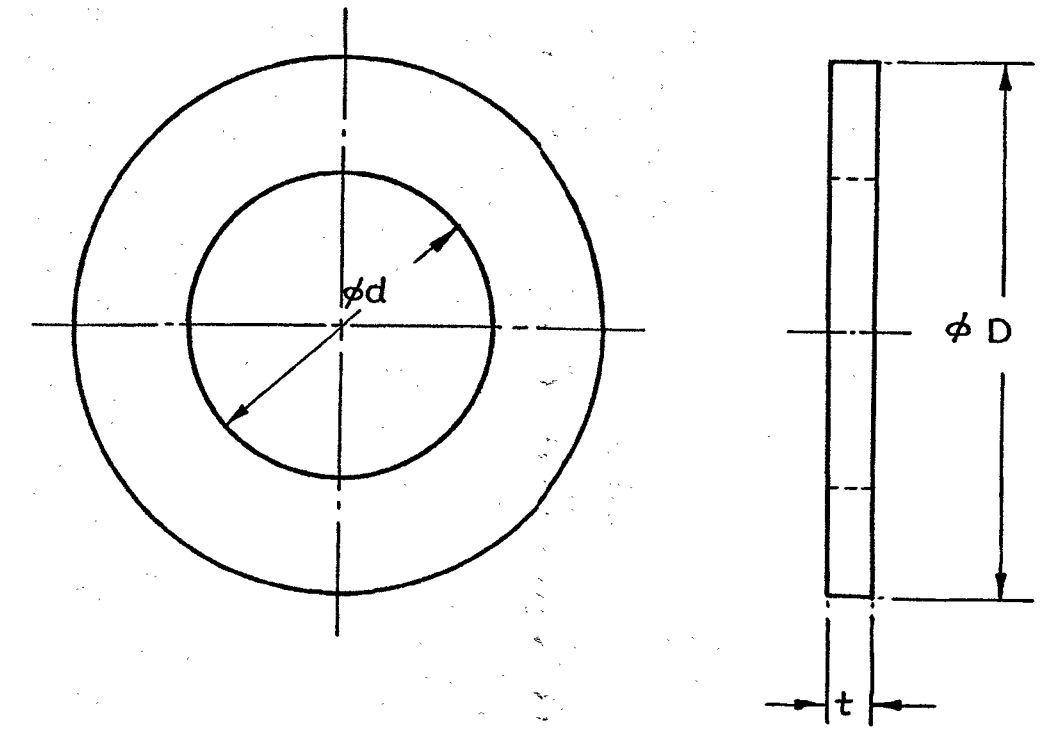


IMPD-0991



NOTE
GALVANIZED AND CHROMATIZED TO 20-30 μ m.

2	WASHER	21	32	4	ST	BS.1449 PT2 B 1964	-
1	WASHER	13	25	3	ST	EN 2 AND IS:1079-68 Gd St 34	-
Sl No.	NOMENCLATURE	d	D	t	GERMAN MATL	ALTERNATIVE MATL	REMARKS

DRG BASED ON ISK 0327

A	DC(I)	DATE	ZONE	BRIEF RECORD	SIG	DRN	DRG NOT TO BE SCALED. ALL SHARP EDGES & CORNERS TO BE ROUNDED OFF. ALL DIMENSIONS ARE IN mm UNLESS OTHERWISE SPECIFIED.	PERTAINS TO:- IMSA-0167&0168	
						TCD			S.M. BAKSHI
						CHD			<i>[Signature]</i> SL C/D/N
						PSD			<i>[Signature]</i> ACIE (DRG)
APPD	<i>[Signature]</i>	NOMENCLATURE	<p style="text-align: center;">WASHER</p>						
DATE	<i>[Signature]</i>	SCALE:-							
TOLERANCE UNLESS OTHERWISE SPECIFIED						GEN	DEC	ANG	<p style="text-align: center;">IMPD-0991</p>
						-	-	-	
						CONTROLLER OF INSPECTION ENGINEERING EQPT			